



**DOWNLOAD
STEP-BY-STEP
INTERACTIVE
ASSEMBLY GUIDE**

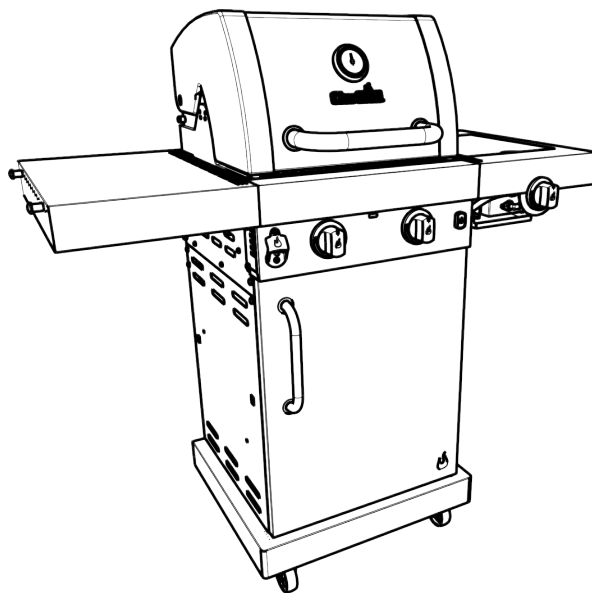


CHAR-BROIL BBQ GUIDE APP
English, French, German, Danish



PROFESSIONAL POWER EDITION 2 BURNER

MODEL NUMBER
468972023
468782023



GB	Operating Instructions	3	Assembly Instructions	107
CH, FR	Mode d'emploi	9	Instructions d'assemblage	107
LU, AT, CH, DE	Betriebsanweisungen	15	Montageanweisungen	107
CH, IT	Istruzioni per l'uso	21	Istruzioni per il montaggio	107
LU, BE, NL	Gebruiksaanwijzing	27	Montage-instructies	107
SE	Användning	32	Montering	107
FI	Käyttöohjeet	37	Kokoamisohjeet	107
ES	Instrucciones de funcionamiento	42	Instrucciones de armado	107
PT	Instruções para Operação	47	Instruções para Montagem	107
DK	Brugsanvisning	52	Monteringsvejledning	107
NO	Instruksjoner for bruk	57	Imontering	107
SK	Návod na používanie	62	Návod na montáž	107
IS	Notkunarlæðbeiningar	67	Smalamálsskipana	107
CZ	Návod k obsluze	72	Montážní návod	107
IL	הוראות הפעלה,	77	הוראות הרכבה	107
RO	Instrucțiuni de utilizare	82	Instrucțiuni de asamblare	107
GR	Οδηγίες λειτουργίας	87	Οδηγίες συναρμολόγησης	107
HU	Használati utasítások	92	Szerelési útmutató	107
BG	Инструкции за работа	97	Инструкции за сглобяване	107
SI	Navodila za uporabo	102	Navodila za montažo	107



INSTALLER/ASSEMBLER:

Leave this manual with consumer.

CONSUMER:

Keep this manual for future reference.

Questions:

If you have questions during assembly or use of this appliance contact your local dealer.



DANGER



If you smell gas:

1. Shut off gas to the appliance.
2. Extinguish any open flames.
3. Open lid.
4. If odor continues, keep away from the appliance and immediately call your gas supplier or your fire department.



WARNING



1. Do not store or use petrol or other flammable liquids in the vicinity of this or any other appliance.
2. A gas cylinder not connected for use shall not be stored in the vicinity of this or any other appliance.



CAUTION



- Read and follow all safety statements, assembly instructions and use and care directions before attempting to assemble and cook.
- Some parts may contain sharp edges. Wearing protective gloves is recommended.

Grease Fires

- Putting out grease fires by closing the lid is not possible. Barbecues are well ventilated for safety reasons.
- Do not use water on a grease fire, Personal injury may result. If a persistent grease fire develops, turn knobs and gas cylinder off.
- If appliance has not been regularly cleaned, a grease fire can occur that may damage the product. Pay close attention while preheating or burning off food residue to insure that a grease fire does not develop. Follow instructions on general appliance cleaning and cleaning the burner assembly to prevent grease fires. The best way to prevent grease fires is regular cleaning of the appliance.
- Do not leave barbecue unattended while preheating or burning off food residue on HI. If barbecue has not been regularly cleaned, a grease fire can occur that may damage the product.



WARNING



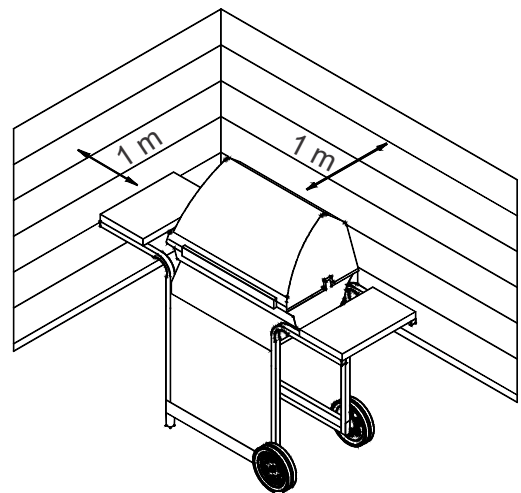
For Safe Use of Your Appliance and to Avoid Serious Injury:

- **USE OUTDOORS ONLY. NEVER USE INDOORS.**

Read the instructions before using the appliance.

Always follow these instructions.

- Do not move the appliance during use.
- Accessible parts may be very hot. Keep young children away. Do not let children operate or play near appliance.
- Turn off the gas supply at the cylinder after use.
- This appliance must be kept away from flammable materials during use.
- Do not block holes in sides or back of appliance.
- Check burner flames regularly.
- Do not block venturi openings on burner.
- Use appliance only in well-ventilated space. NEVER use in enclosed space such as carport, garage, porch, covered patio, or under an overhead structure of any kind.
- Do not use charcoal or ceramic briquets in a gas appliance.
- **DO NOT** cover grates with aluminum foil or any other material. This will block burner ventilation and create a potentially dangerous condition resulting in property damage and/or personal injury.
- **Use appliance at least 1m from any wall or surface.**
- Maintain 3m clearance to objects that can catch fire or sources of ignition such as pilot lights on water heaters, live electrical appliances, etc.



- NEVER attempt to light burner with lid closed. A buildup of non-ignited gas inside a closed appliance is hazardous.
- Always turn off gas at cylinder and disconnect regulator before moving gas cylinder from specified operating position.
- Never operate appliance with gas cylinder out of correct position specified.
- Do not modify the appliance. Any modifications is strictly prohibited. Sealed parts are not to be manipulated by the user. Do not disassemble injectors.

Safety Tips

- Before opening gas cylinder valve, check the regulator for tightness.
- When appliance is not in use, turn off all control knobs and gas.
- Use long-handled barbecue utensils and oven mitts to avoid burns and splatters. Use protective gloves when handling hot components.
- Maximum load for hot plate, if equipped, and side shelf is 4.5 Kg. Cooking vessel minimum dia 200mm and maximum dia. 260 mm. **NOTE:** Your barbecue may NOT be equipped with a Hot plate!
- The grease cup (if equipped) must be inserted into appliance and emptied after each use. Do not remove grease cup until appliance has completely cooled.
- Be very careful when you open the lid, since hot steam may escape.
- Be very careful when children, the elderly, or pets are nearby.
- If you notice grease or other hot material dripping from appliance onto valve, hose or regulator, turn off gas supply at once. Determine the cause, correct it, then clean and inspect valve, hose, and regulator before continuing. Perform a leak test.
- Do not store objects or materials inside the appliance cart enclosure that would block the flow of combustion air to the underside of either the control panel or the firebox bowl.
- DO NOT disconnect or change gas container within 3m of an open flame or other ignition source.

Cylinder Placement

Cylinders placed in the appliance shall have a maximum diameter of 340mm and maximum height, including regulator, of 580mm. Larger cylinders are to be placed under side shelf or behind the barbecue only. Cylinders placed on the ground shall not be placed under the hot plate.

Regulator Requirements



A regulator must be used with this appliance. Use only gas regulator supplied with your barbecue. If a regulator is not supplied then use only regulator certified according to EN16129 (Flow rate max. 1.5 kg/h) and approved for your country and gas specified in Technical Data.



Hose Requirements

Use only approved hose which is certified to appropriate EN standard and does not exceed 1.5m length. For Finland, the hose length shall not exceed 1.2m. Before each use, check to see if hoses are cut or worn. Make sure hose is not kinked. Replace damaged hoses before using appliance. Replace hose as required by national requirements.

Ignitor Lighting

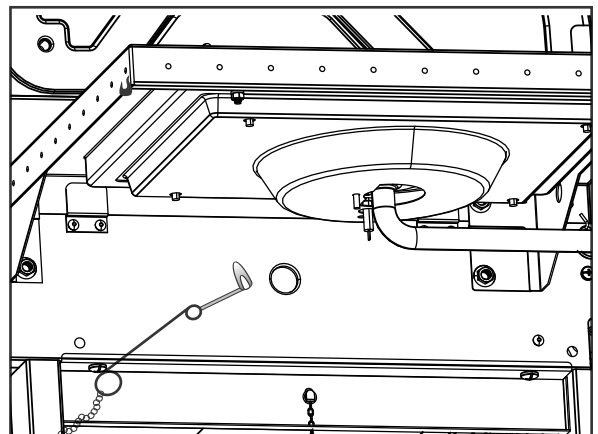
- **Do not lean over barbecue while lighting.**
 1. Turn gas burner control valves to ○ (off).
 2. Open lid during lighting or re-lighting.
 3. Turn ON gas at LP cylinder.
 4. To ignite, push and turn burner knob to 🔥 HIGH. Immediately, push and hold ELECTRONIC IGNITOR button until the burner lights.
 5. If ignition does NOT occur in 5 seconds, turn the burner controls off ○, wait 5 minutes and repeat the lighting procedure.
 6. Repeat steps 4 and 5 to light other main burners.

	WARNING	
<ul style="list-style-type: none">• Turn controls and gas cylinder off when not in use.• Make sure that when connected hose does not touch any warm surfaces.		

	CAUTION	
<p>If ignition does NOT occur in 5 seconds, turn the burner controls ○ off, wait 5 minutes and repeat the lighting procedure. If the burner does not ignite with the valve open, gas will continue to flow out of the burner and could accidentally ignite with risk of injury.</p>		

Match-Lighting

- **Do not lean over barbecue while lighting.**
 1. Turn gas burner control valves to ○ (off).
 2. Open lid during lighting or re-lighting.
 3. Turn ON gas at LP cylinder.
 4. Place match into match holder (hanging from side panel of barbecue). Light match; then light burner by placing match through the match light hole on side of barbecue. Immediately push in and turn burner knob to the 🔥 HIGH position. Be sure burner lights and stays lit.
 5. Light adjacent burners in sequence by pushing knobs in and turning to the 🔥 HIGH position.



Sear Burner Ignitor Lighting

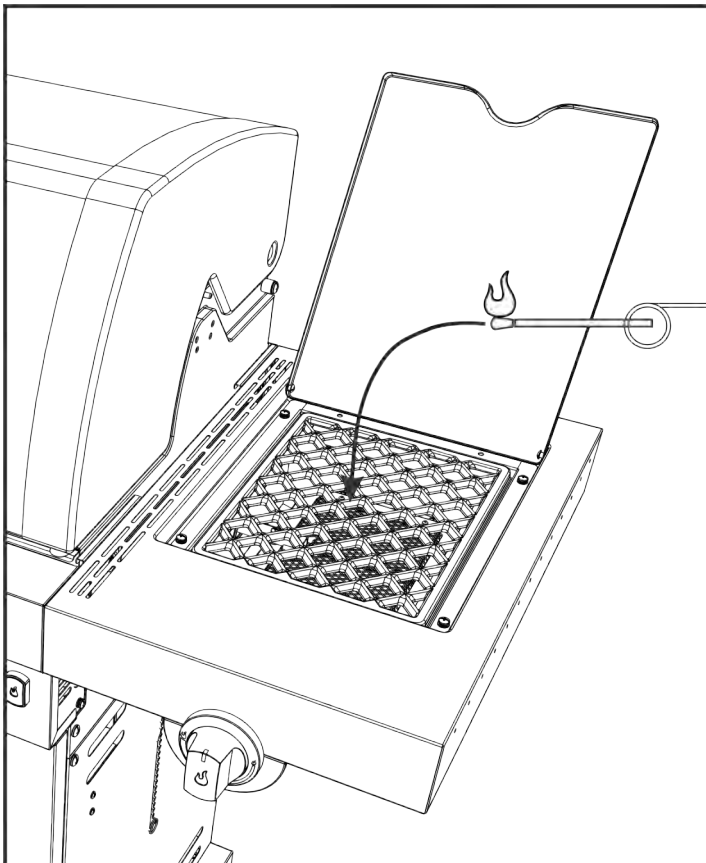
Do not lean over barbecue while lighting.

1. Turn gas burner control valves to OFF.
2. Open lid during lighting or re-lighting.
3. Turn ON gas at LP cylinder.
4. Turn Sear Burner knob to the HIGH position, push and hold ELECTRONIC IGNITOR button.
5. If Sear Burner does NOT light within 5 seconds, turn knob to OFF, wait 5 minutes, then repeat lighting procedure.

Sear Burner Match Lighting

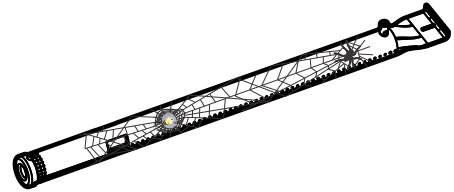
Do not lean over barbecue while lighting.

1. Turn gas burner control valves to OFF.
2. Open lid during lighting or re-lighting.
3. Turn ON gas at LP cylinder.
4. Place lit match near burner. Immediately turn Sear Burner knob to the HIGH position. Be sure the burner lights and stays lit.



SPIDER ALERT!

SPIDER AND WEBS INSIDE BURNER



If your barbecue is getting hard to light or the flame is weak, check and clean the venturis and burners.

Spiders or small insects are known to create "flashback" problems by building nests and laying eggs in the barbecue's venturi or burner obstructing the flow of gas. The backed-up gas can ignite behind the control panel. This flashback can damage your barbecue and cause injury. To prevent flashbacks and ensure good performance, the burner and venturi tube assembly should be removed and cleaned whenever the barbecue has been idle for an extended period of time.

Leak Testing Valves, Hose and Regulator

Leak test before first use, at least once a year, and every time the cylinder is changed or disconnected.

1. Turn all appliance control knobs to \circ .
2. Be sure regulator is tightly connected to gas cylinder.
3. Turn on Gas. If you hear a rushing sound, turn gas off immediately. There is a major leak at the connection. Correct before proceeding.
4. Brush soapy solution (mixture of half soap and half water) onto hose connections.
5. If growing bubbles appear, there is a leak. Turn off gas at cylinder immediately and check tightness of connections. If leak cannot be stopped do not try to repair. Call for replacement parts.
6. Always turn off gas at cylinder after performing leak test.

IF APPLIANCE FAILS TO LIGHT

- Make sure gas is turned on at cylinder.
- Make sure there is gas in the cylinder.
- Does the ignitor make a sparking noise?
 - If yes check for spark at burner.
 - If no spark check for damaged or loose wires.
- If wires are OK check for cracked or broken electrode, replace if needed.
- If wire or electrodes are covered by cooking residue, clean electrode tip with alcohol wipe if needed.
- If needed replace wires.
- If no sound check battery.
- Make sure battery is installed correctly.
- Check for loose wire connection at module and switch.
- If ignitor continues to not work then use match.

Cleaning the Burner Assembly

Follow these instructions to clean and/or replace parts of burner assembly or if you have trouble igniting barbecue.

1. Turn gas off at control knobs and LP cylinder.
2. Remove cooking grates and heat tents.
3. Remove carryover tubes and hardware securing burners.
4. Detach electrode from burner.

NOTE: Removal/Detachment method will depend on the burner configuration. See different configurations in illustrations below.

5. Carefully lift each burner up and away from valve openings.

We suggest three ways to clean the burner tubes. Use the one easiest for you.

- A. Bend a stiff wire (a light weight coat hanger works well) into a small hook. Run the hook through each burner tube several times.



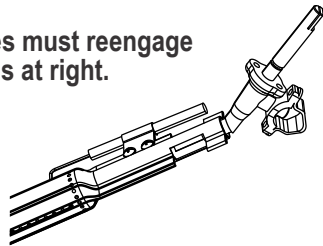
- B. Use a narrow bottle brush with a flexible handle (do not use a brass wire brush). Run the brush through each burner tube several times.

- C. **Wear eye protection:** Use an air hose to force air into the burner tube and out the burner ports. Check each port to make sure air comes out each hole.

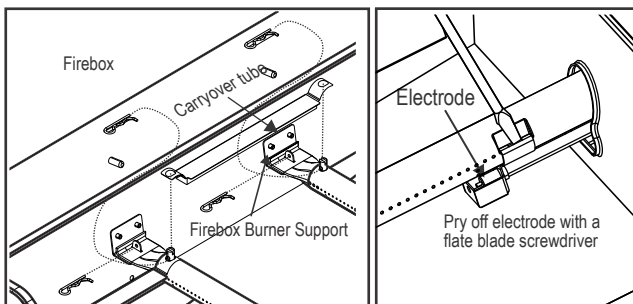
6. Wire brush entire outer surface of burner to remove food residue and dirt.
7. Clean any blocked ports with a stiff wire such as an open paper clip.
8. Check burner for damage due to normal wear and corrosion, some holes may become enlarged. If any large cracks or holes are found, replace burner.

VERY IMPORTANT: Burner tubes must reengage valve openings. See illustrations at right.

Correct burner-to-valve engagement



9. Attach electrode to burner.
10. Carefully replace burners.
11. Attach burners to brackets on firebox.
12. Reposition carryover tubes and attach to burners. Replace heat tents and cooking grates.
13. Before cooking again on barbecue, perform a "Leak Test" and "Burner Flame Check".



Storing Your Appliance

Clean cooking grates.

Store in dry location.

When gas cylinder is connected to appliance, store outdoors in a well-ventilated space and out of reach of children.

Cover appliance if stored outdoors.

Store appliance indoors ONLY if gas cylinder is turned off and disconnected, removed from appliance and stored outdoors.

When removing appliance from storage check for burner obstructions.

General Appliance Cleaning

Periodic cleaning of this grill is necessary, as grill fires can occur when grease and food debris collect in the bottom of the grill.

After each use, remove any remaining food particles from the cooking grate and inside of the grill using a Char-Broil Cool-Clean Brush. Afterwards you could spray Char-Broil Grate Cleaner generously onto the grate, allow it work for 10 minutes and wipe off with a wet cloth or brush. Perform grill cleaning after the grill has cooled down.

- Do not mistake brown or black accumulation of grease and smoke for paint. Interiors of gas barbecues are not painted at the factory (and should never be painted). Apply a strong solution of detergent and water or use a appliance cleaner with scrub brush on insides of appliance lid and bottom. Rinse and allow to completely air dry. Do not apply caustic appliance/oven cleaner to painted surfaces.
- Plastic parts: Wash with warm soapy water and wipe dry. Do not use abrasive cleaners, degreasers or a concentrated appliance cleaner on plastic parts. Damage to and failure of parts can result.
- Porcelain surfaces: Because of glass-like composition, most residue can be wiped away with baking soda/water solution, glass cleaner or Char-Broil Grate Cleaner. Use nonabrasive scouring powder for stubborn stains.
- Painted surfaces: Wash with mild detergent or cleaner and warm soapy water or Char-Broil Grill Cleaner. Wipe dry with a soft nonabrasive cloth.
- Cooking surfaces: Ensure no loose bristles remain on cooking surfaces prior to grilling. While grill is hot, it is only recommended to clean cooking surfaces using the Char-Broil Hot-Clean Replacement head (on the Char-Broil Cool-Clean Premium Brush).

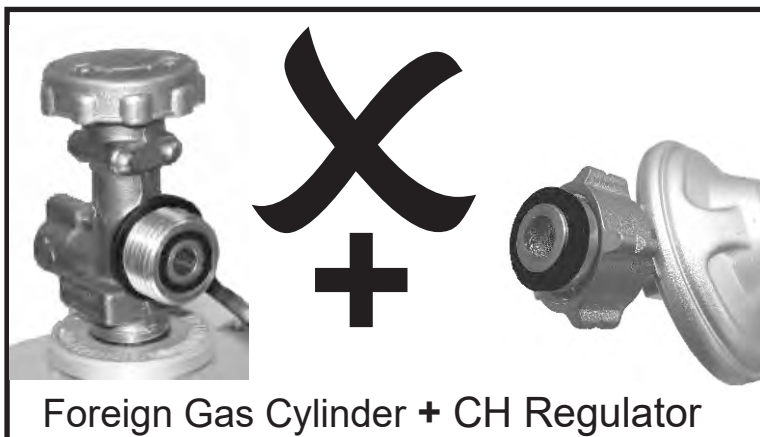
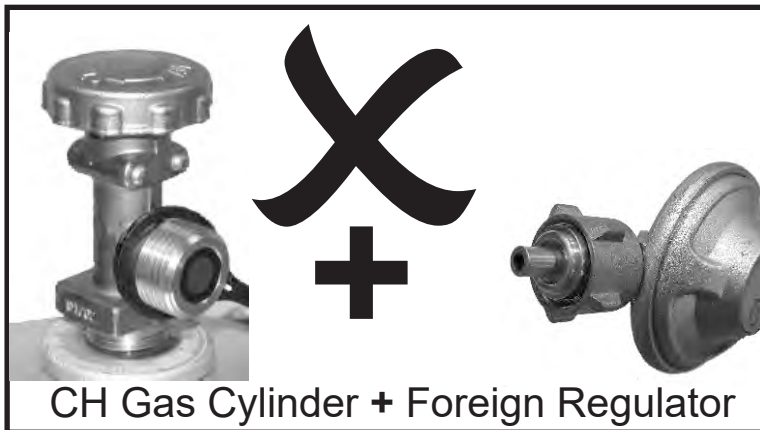
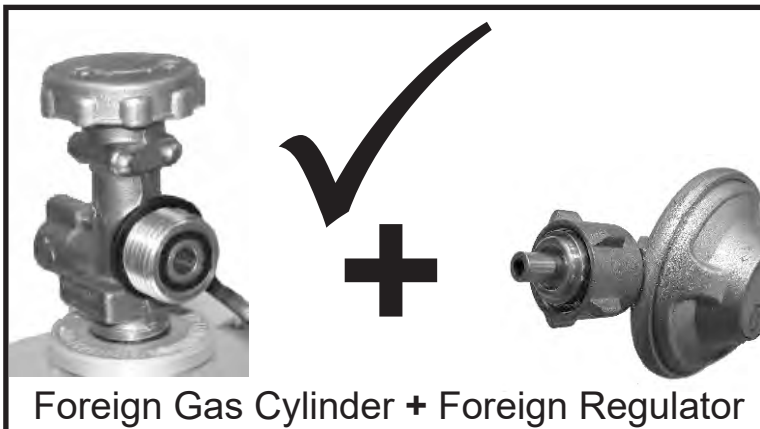
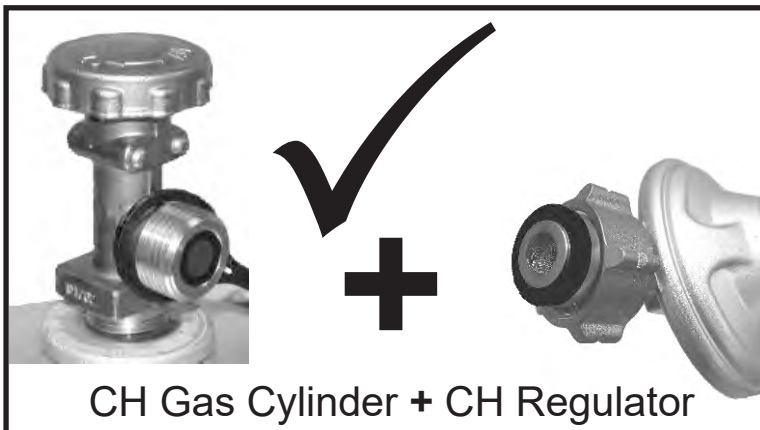
◆◆ CLEAN Setting

Your grill is equipped with an innovative CLEAN setting that allows for hassle-free grill cleaning. The high heat generated from the burners will turn all remaining food debris to ash.

Follow these steps:

- After you are done grilling, adjust all main burners to CLEAN setting and remain for approximately 12 – 15 minutes
- After approximately 12 – 15 minutes, adjust all main burners to OFF setting and allow grill to cool
- Once the grill is cool, use a Char-Broil Cool-Clean Brush to remove any remaining debris and dispose of the ash
- To get extra-shiny results, use the Char-Broil Grate Cleaner as a last step. Spray generously onto the grate, allow it work for 10 minutes and wipe off with a wet cloth or brush.

IMPORTANT! PLEASE READ!



A regulator must be used with this appliance. Use only the gas regulator supplied with your barbecue. If a regulator is not supplied then use only a regulator certified according to EN16129 (Flow rate max. 1.5 kg/h) and approved for your country and gas specified in Technical Data.

For Switzerland Only

There is a danger of fire and explosion with gas appliances which are equipped with foreign pressure regulators and are not compatible with the gas tanks and gas regulators available in Switzerland

Due to the different sealing systems, it is impossible to properly seal the regulator to the gas tank. Gas will escape here and can be ignited by flame or sparks. A life-threatening explosion, and/or property damage can result. Swiss and German tanks and regulators cannot be intermixed.

For safety reason, please check your grill regulator and gas tank connection and make sure it follows in one of the allowed cases shown in the pictures.

Perform a leak check each time you connect your grill to the gas tank.

TECHNICAL DATA
CHAR-BROIL, LLC

Appliance Name	Gas Barbeque/Gas Grill		
Total Nominal Heat Input	9.67 kW (704 g/h)		9.67 kW (704 g/h)
Gas Category	I3+(28-30/37)	I3B/P(30)	I3B/P(50)
Model No.	468972023		468782023
Gas Type	Butane	Propane	Butane, Propane or their mixtures
Gas Pressure	28-30 mbar	37 mbar	30 mbar
Injector Size (Dia. mm)	Barbecue: 0,86 x 2 pcs		Barbecue: 0,75 x 2 pcs
Sear Burner Injector Size (Dia. mm)	0,91 x 1 pcs		0,81 x 1 pcs
Destination Countries	GB, FR, BE, ES, IT, PT, CZ, SK, CH, CY, GR, IE, LT, LU, LV, SI	DK, NO, NL, SE, FI, IS, CZ, IT, SK, BG, CY, EE, HR, HU, LT, LU, LV, MT, RO, SI, TR	AT, DE, CH, LU, SK

Stainless steel

There are many different types (alloys) of materials that are regarded as stainless steel.

A common trait of these different types is that they may corrode (oxidize), depending on the conditions they are subjected to.

This applies to your new barbecue as well.

To ensure your barbecue retains its looks and functionality for many years, please follow the advice below.

- 1) If the barbecue has become wet or damp, make sure to wipe it dry using a cloth in order to prevent surface corrosion.
- 2) Stainless steel can rust under certain conditions. This can be caused by environmental conditions such as chlorine or salt water, or improper cleaning tools such as wire or steel wool. It can also discolor due to heat, chemicals, or grease build-up.
- 3) To maintain your appliance's high quality appearance, wash with mild detergent and warm soapy water and wipe dry with a soft cloth after each use. Baked-on grease deposits may require the use of an abrasive plastic cleaning pad. Use only in direction of brushed finish to avoid damage. Do not use abrasive pad on areas with graphics.
- 4) Grease the internal parts of the barbecue and the grids with cooking oil.

Please note:

To avoid scratching the surface and providing a basis for rust, never use steel wool or similar when cleaning stainless steel.

When cleaning, work in the same direction the stainless steel was brushed in – 'with the grain'.

Cleaning with abrasives may leave scratches.

Storing the barbecue near a coast, swimming pool or spa will cause the barbecue to corrode (oxidize).

Cover your barbecue for rust protection.

INSTALLATEUR/ASSEMBLEUR :

Remettez ce manuel au consommateur.

CONSUMMATEUR :

Conservez ce manuel pour référence ultérieure.

Questions :

Si vous avez des questions pendant l'assemblage ou l'utilisation de cet appareil, contactez votre revendeur local.



DANGER



Si vous sentez une odeur de gaz:

1. Coupez l'alimentation en gaz de l'appareil.
2. Éteignez toute flamme nue.
3. Ouvrez le couvercle.
4. Si l'odeur persiste, tenez-vous à l'écart de l'appareil et appelez immédiatement votre fournisseur de gaz ou la caserne de pompiers la plus proche.



AVERTISSEMENT



1. N'entreposez pas ou n'utilisez pas de l'essence ou d'autres liquides inflammables à proximité de cet appareil ou de tout autre appareil.
2. Une bonbonne de gaz non raccordée ne doit pas être entreposée à proximité de cet appareil ou de tout autre appareil.



MISE EN GARDE



- Lisez et suivez toutes les consignes de sécurité, les instructions d'assemblage et consignes d'utilisation et d'entretien avant d'essayer d'assembler et de cuisiner.
- Certaines pièces peuvent contenir des rebords tranchants. Il est recommandé de porter des gants de protection.

Feux de graisse

- Il n'est pas possible d'éteindre les feux de graisse en fermant le couvercle. Les barbecues sont bien ventilés pour des raisons de sécurité.
- N'utilisez pas d'eau sur un feu de graisse, cela peut entraîner des blessures. Si un feu de graisse persistant se développe, fermez les boutons de réglage et la bonbonne de gaz.
- Si l'appareil n'a pas été nettoyé régulièrement, un feu de graisse peut se produire et il pourrait endommager le produit. Faites particulièrement attention pendant le préchauffage ou lorsque vous brûlez des résidus alimentaires pour vous assurer qu'un feu de graisse ne démarre pas. Suivez les instructions sur le nettoyage général de l'appareil et sur le nettoyage de l'ensemble du brûleur pour éviter les feux de graisse. La meilleure façon d'éviter les feux de graisse est de nettoyer régulièrement l'appareil.
- Ne laissez pas le barbecue sans surveillance pendant le préchauffage ou lorsque vous brûlez des résidus alimentaires sur HI. Si le barbecue n'a pas été nettoyé régulièrement, un feu de graisse peut se produire et il pourrait endommager le produit.

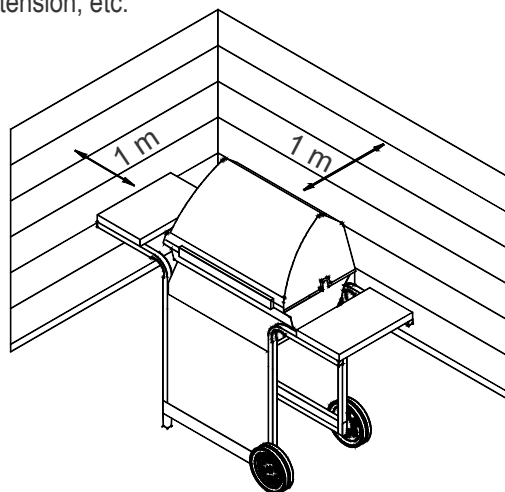


AVERTISSEMENT



Pour une utilisation sûre de l'appareil et afin d'éviter de graves blessures :

- **UTILISEZ UNIQUEMENT À L'EXTÉRIEUR. NE L'UTILISEZ JAMAIS À L'INTÉRIEUR.** Lisez les instructions avant d'utiliser l'appareil. Suivez toujours ces instructions.
- Ne déplacez pas l'appareil pendant son utilisation.
- Les parties accessibles peuvent être très chaudes. Tenez les enfants en bas âge à l'écart. Ne laissez pas les enfants manipuler ou jouer près de l'appareil.
- Coupez l'alimentation en gaz au niveau de la bonbonne de gaz après utilisation.
- Cet appareil doit être tenu à l'écart des matières inflammables pendant l'utilisation.
- N'obstruez pas les trous dans les côtés ou à l'arrière de l'appareil.
- Vérifiez régulièrement les flammes des brûleurs.
- N'obstruez pas les ouvertures venturi sur le brûleur.
- Utilisez l'appareil uniquement dans des espaces bien ventilés. Ne l'utilisez JAMAIS dans un espace clos comme un abri pour voiture, un garage, un porche, une terrasse couverte ou sous une structure suspendue de toute sorte.
- N'utilisez pas de briquettes en charbon de bois ou en céramique dans un appareil à gaz.
- **NE COUVREZ PAS** les grilles avec du papier aluminium ou tout autre matériau. Cela bloquera la ventilation du brûleur et créera un environnement potentiellement dangereux pouvant causer des dégâts matériels et/ou des blessures.
- Utilisez l'appareil à au moins 1 m de tout mur ou de toute surface.
- Maintenez un espace de 3 m avec les objets qui peuvent s'enflammer ou des sources d'ignition comme des voyants lumineux sur les chauffe-eau, des appareils électriques sous tension, etc.



- Ne tentez JAMAIS d'allumer un brûleur avec le couvercle fermé. Une accumulation de gaz non allumé à l'intérieur d'un appareil fermé est dangereuse.
- Coupez toujours le gaz au niveau de la bonbonne et déconnectez le régulateur avant de déplacer la bonbonne de gaz de sa position.
- N'utilisez jamais l'appareil avec une bonbonne de gaz en dehors de sa bonne position.
- Ne modifiez pas l'appareil. Toute modification est strictement interdite. Les parties soudées ne doivent pas être manipulées par l'utilisateur. Ne démontez pas les injecteurs.

Conseils de sécurité

- Avant d'ouvrir la vanne du gaz, vérifiez l'étanchéité du régulateur.
- Lorsque l'appareil n'est pas en cours d'utilisation, fermez tous les boutons de réglage ainsi que le gaz.
- Utilisez des ustensiles à long manche et des gants de cuisine pour éviter les brûlures et les éclaboussures. Utilisez des gants de protection lorsque vous manipulez des composants chauds.
- La charge maximale pour la plaque chauffante (si l'appareil en est équipé) et le plateau latéral est de 4,5 kg. Diamètre minimum de 200 mm et diamètre maximum de 260 mm pour le récipient de cuisson. REMARQUE : Votre barbecue peut ne PAS être équipé d'une plaque chauffante!
- Le récipient à graisse (si équipé) doit être inséré dans l'appareil et vidé après chaque utilisation. Ne retirez pas le récipient à graisse tant que l'appareil n'a pas complètement refroidi.
- Soyez très prudent lorsque vous ouvrez le couvercle, puisque de la vapeur chaude peut s'échapper.
- Soyez très prudent lorsque des enfants, des personnes âgées ou des animaux domestiques sont à proximité.
- Si vous remarquez de la graisse ou toute autre matière chaude qui coule sur la vanne, le tuyau ou le régulateur, coupez toute l'alimentation en gaz. Déterminez la cause, corrigez-la, puis nettoyez et vérifiez la soupape, le tuyau et le régulateur avant de continuer. Effectuez un test d'étanchéité.
- N'entreposez pas d'objets ou de matériaux à l'intérieur du chariot de l'appareil qui pourraient bloquer la circulation de l'air de combustion vers le dessous du panneau de commande ou de la chambre de combustion.
- NE déconnectez ou NE changez PAS la bonbonne de gaz à moins de 3 m d'une flamme nue ou de toute autre source d'ignition

Position de la bonbonne

In das Gerät eingesetzte Zylinder dürfen einen maximalen Durchmesser von 340 mm und eine maximale Höhe einschließlich Regler von 580 mm haben. Größere Zylinder dürfen nur unter die Seitenablage oder hinter den Grill gestellt werden. Auf den Boden gestellte Zylinder dürfen nicht unter die Heizplatte gestellt werden.

Exigences relatives au régulateur

Un régulateur doit être utilisé avec cet appareil. Utilisez uniquement un régulateur à gaz fourni avec votre barbecue. Si un régulateur n'est pas fourni, utilisez alors uniquement un régulateur certifié selon EN16129 (Débit max. 1,5 kg/h) et approuvé pour votre pays et votre gaz indiqués dans les Données techniques.

Exigences relatives au tuyau

Utilisez uniquement un tuyau approuvé qui est certifié selon les normes EN et qui ne dépasse pas 1,5 m de long. Pour la Finlande, la longueur du tuyau ne doit pas dépasser 1,2 m. Avant chaque utilisation, vérifiez si les tuyaux sont coupés ou usés. Assurez-vous que le tuyau n'est pas entortillé. Assurez-vous qu'une fois connecté, le tuyau ne touche aucune surface chaude. Remplacez les tuyaux endommagés avant d'utiliser l'appareil. Remplacez le tuyau tel que requis par les exigences nationales.

Dispositif d'allumage

- **Ne vous penchez pas au-dessus du barbecue en procédant à l'allumage.**

1. Tournez les vannes de régulation du brûleur en position ○ (off).
2. Ouvrez le couvercle pendant l'allumage ou la nouvelle tentative d'allumage.
3. Ouvrez le gaz de la bonbonne GPL.
4. Pour allumer, appuyez et tournez le bouton du brûleur vers la position 🔥 HIGH. Appuyez ensuite immédiatement et maintenez le bouton d'ALLUMAGE ÉLECTRONIQUE jusqu'à ce que le brûleur s'allume.
5. S'il n'y a PAS d'allumage dans les 5 secondes, fermez les boutons de réglage ○, attendez 5 minutes et répétez la procédure.
6. Répétez les étapes 4 et 5 pour allumer les autres brûleurs principaux.



AVERTISSEMENT



Éteignez les commandes et la bouteille de gaz lorsqu'elles ne sont pas utilisées.

Assurez-vous que lorsque le tuyau connecté ne touche aucune surface chaude.



MISE EN GARDE

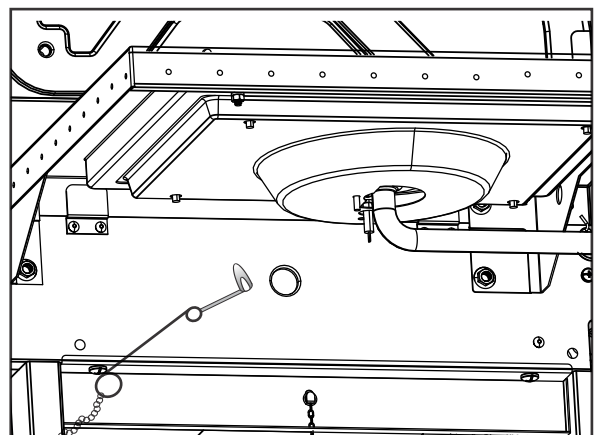


S'il n'y a PAS d'allumage dans les 5 secondes, fermez les boutons de réglage, attendez 5 minutes et répétez la procédure. Si le brûleur ne s'allume pas avec la vanne ouverte, le gaz continuera de s'échapper du brûleur et pourrait accidentellement s'enflammer et causer des blessures.

Allumage par allumette

- **Ne vous penchez pas au-dessus du barbecue en procédant à l'allumage.**

1. Tournez les vannes de régulation du brûleur en position ○ (off).
2. Ouvrez le couvercle pendant l'allumage ou la nouvelle tentative d'allumage.
3. Ouvrez le gaz de la bonbonne GPL.
4. Placez l'allumette dans le porte-allumettes (qui est suspendu au panneau latéral du barbecue). Allumez l'allumette; puis allumez le brûleur en plaçant l'allumette à travers le trou d'allumage par allumette sur le côté du barbecue. Appuyez immédiatement sur le bouton du brûleur et tournez-le vers la position 🔥 HIGH. Assurez-vous que le brûleur s'allume et reste allumé.
5. Allumez les brûleurs adjacents dans l'ordre en appuyant sur les boutons de réglage et en les tournant vers la position HIGH.

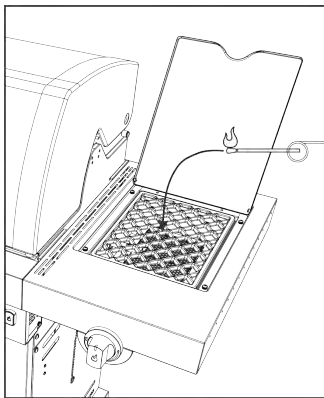


Éclairage d'allumage de brûleur à saisir Ne vous penchez pas au-dessus du barbecue pendant l'allumage.

1. Tournez les vannes de commande du brûleur à gaz sur OFF.
2. ouvrez le couvercle pendant l'allumage ou le rallumage.
3. Allumez le gaz à la bouteille de GPL.
4. Tournez le bouton du brûleur Sear à la position HIGH, appuyez et maintenez enfoncé le bouton ALLUMEUR ÉLECTRONIQUE.
5. Si le brûleur Sear ne s'allume PAS dans les 5 secondes, tournez le bouton sur OFF, attendez 5 minutes, puis répétez la procédure d'allumage.

Éclairage Match de brûleur Ne vous penchez pas au-dessus du barbecue pendant l'allumage.

1. Tournez les vannes de commande du brûleur à gaz sur OFF.
2. ouvrez le couvercle pendant l'allumage ou le rallumage.
3. Allumez le gaz à la bouteille de GPL.
4. Placez une allumette allumée près du brûleur. Tournez immédiatement le bouton du brûleur Sear à la position HIGH. Assurez-vous que le brûleur s'allume et reste allumé.



Test d'étanchéité des vannes, du tuyau et du régulateur

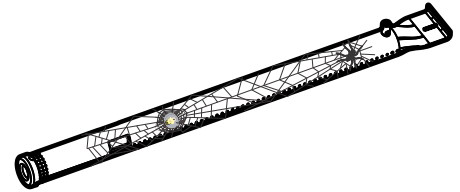
Effectuez un test d'étanchéité avant la première utilisation, au moins une fois par an et à chaque fois que vous changez ou déconnectez la bonbonne.

1. Mettez tous les boutons de commande en position O.
2. Assurez-vous que le régulateur est solidement relié à la bonbonne de gaz.
3. Ouvrez le gaz. Si vous entendez un bruit strident, coupez immédiatement le gaz. Il y a une fuite importante au niveau du raccordement. Corrigez avant de poursuivre.
4. Passez une solution savonneuse (mélange constitué à moitié de savon et à moitié d'eau) sur les raccords des tuyaux.
5. Si des bulles apparaissent, il y a une fuite. Coupez immédiatement le gaz au niveau de la bonbonne et vérifiez l'étanchéité des raccordements. Si la fuite ne peut pas être arrêtée, n'essayez pas de la réparer. Appelez pour obtenir des pièces de rechange.
6. Coupez toujours le gaz au niveau de la bonbonne après avoir effectué le test de fuite.



ALERTE CONTRE LES ARAIGNÉES !

ARAIGNÉES ET TOILES D'ARAIGNÉE



Si votre barbecue s'allume difficilement ou si la flamme est faible, vérifiez et nettoyez les brûleurs et les venturis.

Des araignées ou de petits insectes sont connus pour créer des problèmes de retour de flamme en construisant des nids et en pondant des œufs dans le venturi ou le brûleur du barbecue, obstruant la circulation du gaz. Le gaz bloqué peut s'enflammer derrière le panneau de commande. Ce retour de flamme peut endommager votre barbecue et causer des blessures. Pour éviter les retours de flamme et garantir de bonnes performances, le brûleur et l'ensemble tube venturi doivent être retirés et nettoyés à chaque fois que le barbecue reste inutilisé pendant une longue période.

SI L'APPAREIL NE S'ALLUME PAS

- Assurez-vous que la bonbonne de gaz est ouverte.
- Vérifiez qu'il y a du gaz dans la bonbonne.
- L'allumeur fait-il un bruit d'étincelles? Si oui, vérifiez s'il y a des étincelles au niveau du brûleur.
- S'il n'y a pas d'étincelles, vérifiez s'il y a des câbles endommagés ou lâches.
- Si les câbles sont en bon état, vérifiez s'il y a une électrode fendue ou cassée, procédez à un remplacement si nécessaire.
- Si les câbles ou les électrodes sont couverts par des résidus de cuisson, nettoyez la pointe de l'électrode à l'aide d'un chiffon imbibé d'alcool, si nécessaire.
- Au besoin, remplacez les câbles.
- S'il n'y a pas de bruit, vérifiez la batterie.
- Assurez-vous que la batterie est correctement installée.
- Vérifiez s'il y a des connexions lâches des câbles au niveau du module et de l'interrupteur.
- Si l'allumeur continue à ne pas fonctionner, utilisez une allumette.

Nettoyage de l'ensemble brûleur

Suivez ces instructions pour nettoyer et/ou remplacer les pièces de l'ensemble brûleur ou si vous avez des difficultés à allumer le barbecue.

1. Coupez le gaz avec les boutons de commande et au niveau de la bonbonne GPL.

2. Retirez les grilles de cuisson et les tentes thermiques.
3. Retirez les tuyaux de transfert et les fixations des brûleurs.
4. Détachez l'électrode du brûleur.

REMARQUE: La méthode de retrait/détachement dépendra de la configuration du brûleur. Consultez les différentes configurations dans les illustrations ci-dessous.

5. Soulevez délicatement chaque brûleur et éloignez des ouvertures des vannes. Nous suggérons trois façons de nettoyer les tuyaux du brûleur. Utilisez la méthode qui vous semble la plus simple.

A. Pliez un fil rigide (un léger cintre fonctionne bien) pour former un petit crochet. Insérez le crochet dans chaque tuyau du brûleur à plusieurs reprises.



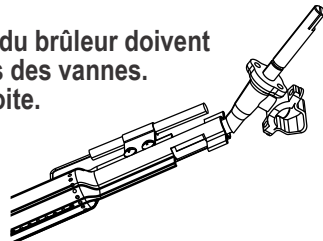
B. Utilisez un écouvillon étroit avec un manche flexible (n'utilisez pas de brosse en laiton). Insérez le crochet dans chaque tuyau du brûleur à plusieurs reprises.

C. Portez des lunettes de protection: Utilisez un tuyau d'air pour forcer l'air dans le tuyau du brûleur et le faire sortir par les orifices du brûleur. Vérifiez chaque orifice pour vous assurer que l'air sort de chaque trou.

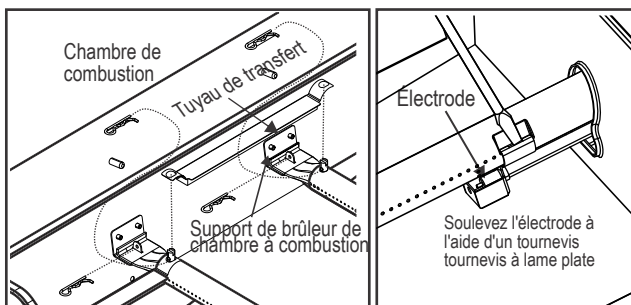
6. Utilisez une brosse métallique sur toute la surface extérieure du brûleur pour enlever les résidus alimentaires et la saleté.
7. Nettoyez tous les orifices bloqués à l'aide d'un fil rigide comme un trombone déplié.
8. Vérifiez si le brûleur présente des dommages dus à l'usure et à la corrosion, certains trous pouvant s'élargir. Si vous constatez de grosses fissures ou des trous, remplacez le brûleur.

TRÈS IMPORTANT: Les tuyaux du brûleur doivent s'imbriquer avec les ouvertures des vannes. Consultez les illustrations à droite.

Bonne imbrication brûleur à vanne



9. Fixez l'électrode au brûleur.
10. Repositionnez délicatement les brûleurs.
11. Fixez les brûleurs aux supports de la chambre de combustion.
12. Repositionnez les tuyaux de transfert et fixez-les aux brûleurs. Remplacez les tentes thermiques et les grilles de cuisson.
13. Avant de réutiliser le barbecue, procédez à un « Test de fuite » et une « Vérification de la flamme du brûleur ».



Rangement de votre appareil

- Nettoyez les grilles de cuisson.
- Conservez dans un endroit sec.
- Lorsque la bonbonne de gaz est raccordée à l'appareil, rangez l'appareil dans un espace bien ventilé et hors de portée des enfants.
- Recouvrez l'appareil s'il est entreposé à l'extérieur.
- Rangez l'appareil à l'intérieur seulement si la bonbonne de gaz est fermée et débranchée, retirée de l'appareil et rangée à l'extérieur.

• En sortant l'appareil de l'endroit où il était rangé, vérifiez si le brûleur est obstrué.

Nettoyage général de l'appareil

Un nettoyage périodique de ce gril est nécessaire, car des incendies de gril peuvent survenir lorsque la graisse et les débris alimentaires s'accumulent au bas du gril. Après à chaque utilisation, retirez les restes de nourriture de la grille de cuisson

et à l'intérieur du gril à l'aide d'une brosse Char-Broil Cool-Clean. Ensuite vous pouvez vaporiser généreusement du nettoyant pour grille Char-Broil sur la grille, laissez agir 10 minutes et essuyez avec un chiffon humide ou une brosse. Nettoyez le gril une fois le gril refroidi.

- Ne confondez pas l'accumulation brune ou noire de graisse et fumée pour la peinture. Intérieurs de gaz les barbecues ne sont pas peints en usine (et ne doivent jamais peindre). Appliquez une solution forte de détergent et d'eau ou utilisez un nettoyant pour appareil avec une brosse à récurer à l'intérieur du couvercle de l'appareil et bas. Rincer et laisser sécher complètement à l'air. Ne pas appliquer nettoyant caustique pour appareil / four sur les surfaces peintes.

- Pièces en plastique: laver à l'eau tiède savonneuse et essuyer. Faire ne pas utiliser de nettoyants abrasifs, de dégraissants ou de concentré nettoyant pour appareil ménager sur les pièces en plastique. Dommages et échecs de des pièces peuvent en résulter.

- Surfaces en porcelaine: en raison de leur composition semblable au verre, la plupart des résidus peuvent être essuyés avec une solution de bicarbonate de soude / eau, nettoyant pour vitres ou nettoyant pour grille Char-Broil. Utilisez non abrasif poudre à récurer pour les taches tenaces.

- Surfaces peintes: laver avec un détergent doux ou un nettoyant et de l'eau savonneuse chaude ou du nettoyant pour gril Char-Broil. Essayez avec un chiffon doux non abrasif.

- Surfaces de cuisson: assurez-vous qu'il ne reste pas de poils lâches pendant la cuisson surfaces avant de griller. Tant que le gril est chaud, il est recommandé pour nettoyer les surfaces de cuisson à l'aide du Char-Broil Tête de remplacement Hot-Clean (sur le Char-Broil Cool-Clean Brosse Premium).

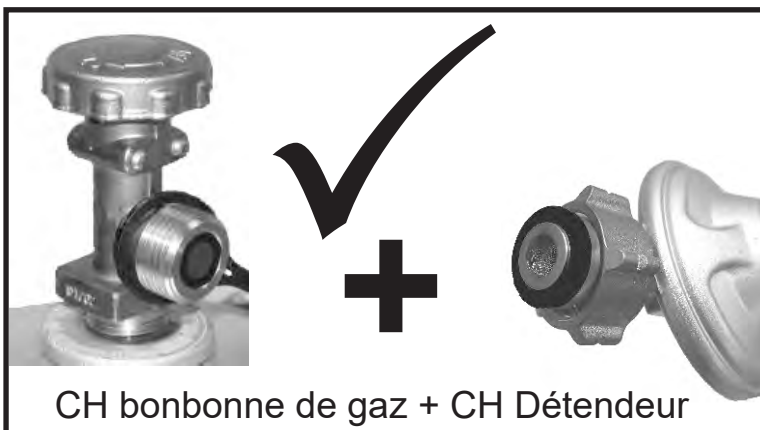
Réglage CLEAN ✨

Votre gril est équipé d'un réglage CLEAN innovant qui permet nettoyage sans tracas du gril. La chaleur élevée générée par les brûleurs transformera tous les débris alimentaires restants en cendres.

Suivez ces étapes:

- Une fois la cuisson terminée, réglez tous les brûleurs principaux sur CLEAN et rester pendant environ 12 à 15 minutes
- Après environ 12 à 15 minutes, réglez tous les brûleurs principaux OFF et laissez refroidir le gril
- Une fois le gril refroidi, utilisez une brosse Char-Broil Cool-Clean pour enlever les débris restants et jeter les cendres
- Pour obtenir des résultats extra-brillants, utilisez le nettoyant pour grille Char-Broil comme une dernière étape. Vaporisez généreusement sur la grille, laissez agir 10 minutes et essuyez avec un chiffon humide ou une brosse

IMPORTANT! LISEZ S'IL VOUS PLAÎT!



Un régulateur doit être utilisé avec cet appareil. N'utilisez que le régulateur de gaz fourni avec votre barbecue. Si un détendeur n'est pas fourni, utilisez uniquement un détendeur certifié conforme à la norme EN16129 (débit max. 1,5 kg / h) et approuvé pour votre pays et le gaz spécifié dans les données techniques. Vous devez utiliser une bouteille de gaz à essence compatible avec votre régulateur.

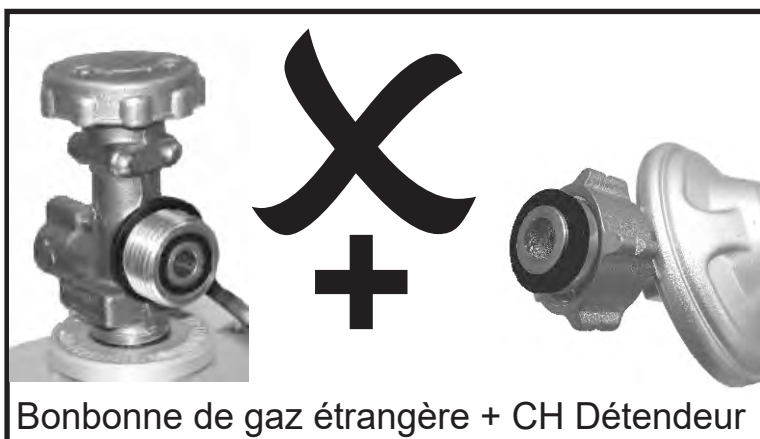
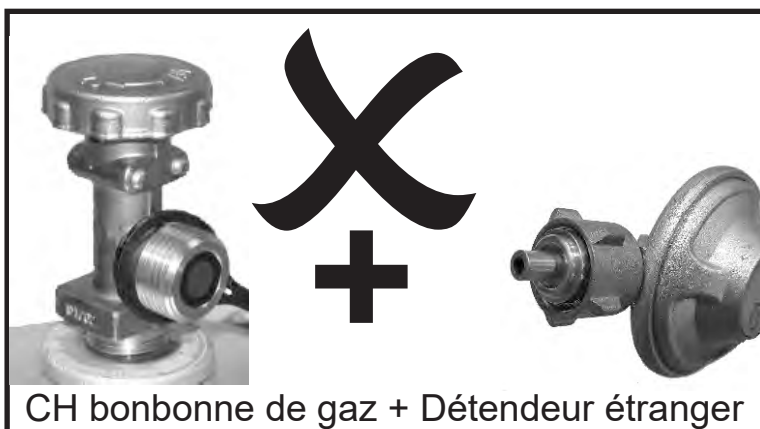
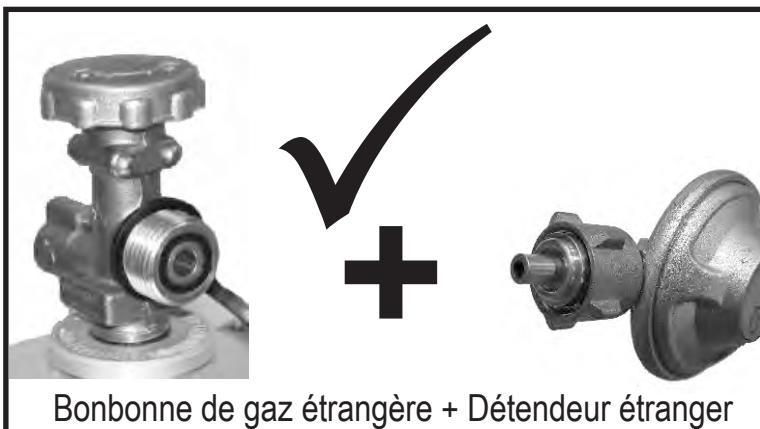
Uniquement Pour La Suisse

Il existe un risque d'incendie et d'explosion avec les appareils ménagers à gaz qui sont équipés avec des détendeurs étrangers, qui ne sont pas compatibles avec les réservoirs de gaz et les détendeurs disponibles en Suisse.

À cause des différents systèmes de fermeture, il est presque impossible de sceller proprement le détendeur avec le réservoir de gaz. Le gaz va ensuite s'échapper et peut être enflammé par flamme ou étincelles. Une explosion mortelle, et/ou dommages matériels peuvent en résulter. Réservoirs, détendeurs suisses et allemands ne peuvent pas être raccordés.

Pour des raisons de sécurité, veuillez vérifier le régulateur de votre barbecue, le Kit de raccordement de bouteilles et assurez-vous que ça correspond avec l'un des cas permis illustré dans les images.

Effectuez une vérification de fuite chaque fois que vous connectez votre barbecue au réservoir.



**DONNÉES TECHNIQUES
CHAR-BROIL, LLC**

Nom de l'appareil	Barbecue au gaz / Gril au gaz		
Débit calorifique nominal total	9.67 kW (704 g/h)		9.67 kW (704 g/h)
Catégorie de gaz	I3+(28-30/37)	I3B/P(30)	I3B/P(50)
N° de modèle	468972023		468782023
Type de gaz	Butane	Propane	Butane, Propane ou leurs mélanges
Pression du gaz	28-30 mbar	37 mbar	30 mbar
Taille de l'injecteur taille (ø mm)	Barbecue : 0,86 x 2 pcs		Barbecue : 0,75 x 2 pcs
Brûleur à saisir	0,91 x 1 pcs		0,81 x 1 pcs
Taille de l'injecteur taille (ø mm)	0,91 x 1 pcs		0,81 x 1 pcs
Pays de destination	GB, FR, BE, ES, IT, PT, CZ, SK, CH, CY, GR, IE, LT, LU, LV, SI	DK, NO, NL, SE, FI, IS, CZ, IT, SK, BG, CY, EE, HR, HU, LT, LU, LV, MT, RO, SI, TR	AT, DE, CH, LU, SK

Acier inoxydable

Il existe de nombreux types différents (alliages) de matériaux qui sont considérés comme de l'acier inoxydable.

Une caractéristique commune de ces différents types est qu'ils peuvent se corroder (oxydation), en fonction des conditions de leur environnement.

Cela s'applique également à votre nouveau barbecue.

Veillez suivre les conseils ci-dessous pour vous assurer que votre barbecue conserve son apparence et ses fonctionnalités durant de nombreuses années.

1) Si le barbecue devient mouillé ou humide, veillez à le sécher à l'aide d'un chiffon afin d'éviter que la surface ne se corrode.

2) L'acier inoxydable peut rouiller sous certaines conditions. Ceci peut être causé par les conditions environnementales, comme la présence de chlore ou d'eau salée, ou en utilisant des outils de nettoyage inappropriés, comme de la laine de verre ou d'acier. Il peut également se décolorer en raison de la chaleur, de produits chimiques ou d'une accumulation de graisse.

3) Pour conserver l'apparence superbe de votre appareil, lavez-le avec un détergent doux et de l'eau chaude savonneuse puis essuyez-le avec un chiffon doux après chaque utilisation. Les dépôts de graisse s'étant collés sous l'effet de la chaleur peuvent nécessiter l'utilisation d'un tampon de nettoyage abrasif en plastique. Utilisez-le uniquement dans la direction de la finition brossée pour éviter de l'endommager. N'utilisez pas de tampon abrasif sur les zones comportant des graphismes.

4) Graissez les pièces internes du barbecue et les grilles avec de l'huile de cuisson.

Veillez noter :

Pour éviter de rayer la surface et de créer une base de rouille, n'utilisez jamais de laine d'acier ou similaire pour nettoyer l'acier inoxydable.

Lors du nettoyage, effectuez des mouvements dans le même sens que l'effet brossé de l'acier inoxydable, dans le « sens du grain ».

Le nettoyage au moyen de produits abrasifs peut provoquer des rayures.

Le stockage du barbecue près de la mer, d'une piscine ou d'un spa entraînera sa corrosion (oxydation).

Couvrez votre barbecue pour le protéger de la rouille.

INSTALLATEUR/MONTEUR:

Dieses Handbuch ist zum Verbleib beim Verbraucher bestimmt.

VERBRAUCHER:

Bewahren Sie dieses Handbuch zum späteren Nachschlagen auf.

Fragen:

Wenn Sie während der Montage oder bei der Nutzung dieses Geräts Fragen haben, wenden Sie sich an Ihren Händler vor Ort.



GEFAHR



Wenn Sie Gas riechen:

1. Schalten Sie die Gaszufuhr des Geräts ab.
2. Löschen Sie jegliches offenes Feuer.
3. Deckel öffnen.
4. Wenn der Geruch weiterhin anhält, bleiben Sie dem Gerät fern und rufen Sie Ihren Gaslieferanten oder Ihre Feuerwache umgehend an.



WARNUNG



1. Lagern Sie weder Benzin noch andere brennbare Flüssigkeiten in der Nähe dieser oder anderer Haushaltsgeräte auf.
2. Eine Gasflasche, die nicht zur Nutzung angeschlossen ist, soll nicht in der Nähe dieser oder anderer Haushaltsgeräte aufbewahrt werden.



ACHTUNG



- Lesen und befolgen Sie vor der Montage oder Inbetriebnahme zum Kochen alle Sicherheitshinweise, Montage- und Nutzungsanweisungen sowie Pflegeanleitungen.
- Einige Teile können scharfe Kanten aufweisen. Wir empfehlen, Schutzhandschuhe zu tragen.

Fettbrände

- Einen Fettbrand durch Schließen des Deckels zu löschen, ist nicht möglich. Grillgeräte sind aus Sicherheitsgründen sehr gut belüftet.
- Löschen Sie einen Fettbrand nicht mit Wasser, dies könnte zu Verletzungen führen. Wenn sich ein fortdauernder Fettbrand entwickelt, schließen Sie die Drehknöpfe und die Gasflasche.
- Wenn dieses Gerät nicht regelmäßig gereinigt wurde, kann ein Fettbrand auftreten, der das Produkt beschädigen könnte. Achten Sie daher sehr darauf, wenn Sie vorheizen oder Lebensmittelrückstände abbrennen, sicherzustellen, dass sich kein Fettbrand entwickelt. Befolgen Sie die Anweisungen der üblichen Gerätereinigung und Reinigung des Brennerautomaten, um Fettbrände zu verhindern. Der beste Weg, Fettbrände zu verhindern, besteht in der regelmäßigen Reinigung des Geräts.
- Lassen Sie den Grill nicht unbeaufsichtigt, während Sie vorheizen oder Lebensmittelrückstände auf hoher Stufe abbrennen. Wenn der Grill nicht regelmäßig gereinigt wurde, kann ein Fettbrand auftreten, der das Produkt beschädigen könnte.

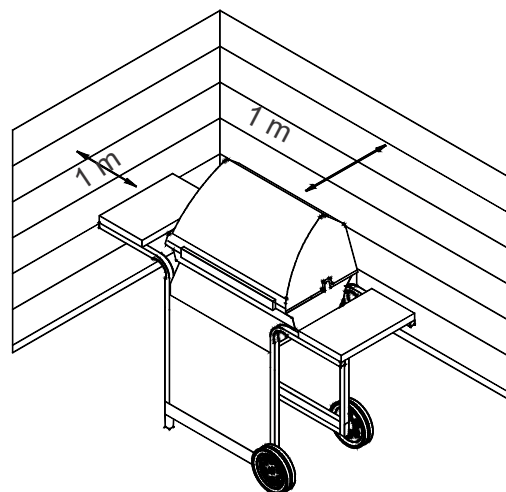


WARNUNG



Zur sicheren Verwendung Ihres Geräts und zur Vermeidung ernsthafter Verletzungen:

- **NUR IM FREIEN VERWENDEN. NIEMALS IN GESCHLOSSENEN RÄUMEN VERWENDEN.**
- Lesen Sie die Anweisungen vor Inbetriebnahme des Geräts. Befolgen Sie stets folgende Anweisungen:
 - Bewegen Sie das Gerät während der Nutzung nicht.
 - Zugängliche Teile können sehr heiß sein. Halten Sie kleine Kinder fern. Lassen Sie Kinder nicht in der Nähe des Geräts herumtollen oder spielen.
 - Drehen Sie die Gaszufuhr an der Flasche nach Gebrauch ab.
 - Dieses Gerät muss von brennbarem Material während des Gebrauchs ferngehalten werden.
 - Verdecken Sie nicht die Löcher an den Seiten oder im hinteren Bereich des Geräts.
 - Prüfen Sie die Brennerflammen regelmäßig.
 - Blockieren Sie den Venturi-Ventilauslass am Brenner nicht.
 - Benutzen Sie das Gerät nur an einem gut belüfteten Ort. Benutzen Sie das Gerät NIEMALS in einem geschlossenen Raum wie einem Carport, einer Garage, einer Veranda, einem überdachten Hof oder unter einer Überdachung jeglicher Art.
 - Benutzen Sie weder Holzkohle noch Keramik-Briketts in einem Gas-Grillgerät.
 - Bedecken Sie die Grillroste NICHT mit Aluminiumfolie oder anderem Material. Dies blockiert die Brenner-Ventilation und schafft einen potentiell gefährlichen Zustand, der in Sach- oder Personenschaden resultieren könnte.
 - Benutzen Sie das Gerät mindestens einen Meter von jeder Wand oder Oberfläche entfernt.
 - Halten Sie 3 m Abstand zu Gegenständen ein, die Feuer fangen könnten, oder zu Zündquellen wie Kontroll-Leuchten von Wasserkochern, angeschalteten Elektrogeräten usw.



- Versuchen Sie NIEMALS, den Brenner mit geschlossenem Deckel anzuzünden. Eine Ansammlung von nicht-entzündetem Gas innerhalb eines geschlossenen Geräts ist gefährlich.
- Schalten Sie das Gas an der Flasche immer ab und unterbrechen Sie die Verbindung zum Regler, bevor Sie die Gasflasche von ihrem bestimmungsmäßigen Einsatzort wegbewegen.
- Nehmen Sie das Gerät mit Gasflasche nicht außerhalb seines bestimmungsmäßigen korrekten Einsatzorts in Betrieb.
- Nehmen Sie keine Veränderungen am Gerät vor. Jegliche Veränderung ist strengstens untersagt. Versiegelte Bauteile dürfen nicht vom Benutzer manipuliert werden. Demontieren Sie die Injektoren nicht.

Sicherheits-Tipps

- Bevor Sie ein Gasflaschen-Ventil öffnen, prüfen Sie den Regler auf Dichtigkeit.
- Wenn das Gerät nicht in Gebrauch ist, stellen Sie die Gaszufuhr mit den Drehreglern ab.
- Benutzen Sie Grillwerkzeug mit langem Griff und Topflappen, um Verbrennungen und Brandblasen zu vermeiden. Verwenden Sie Schutzhandschuhe, wenn Sie mit heißen Bauteilen hantieren.
- Die maximale Belastung für die Heizplatte, sofern vorhanden, und die Seitenablage beträgt 4,5 kg. Der Mindestdurchmesser des Kochessels beträgt 200 mm und maximal 260 mm. HINWEIS: Ihr Grill könnte NICHT mit einer Heizplatte ausgestattet sein!
- Eine Fettwanne (sofern vorhanden) muss in das Gerät eingeschoben werden und nach jedem Gebrauch geleert werden. Entfernen Sie die Fettwanne nicht, bevor das Gerät sich komplett abgekühlt hat.
- Seien Sie besonders vorsichtig, wenn Sie den Deckel öffnen, da heißer Dampf entweichen könnte.
- Seien Sie besonders vorsichtig, wenn Kinder, Senioren oder Haustiere in der Nähe sind.
- Wenn sie bemerken, dass Fett oder anderes heißes Material vom Gerät auf das Ventil, den Schlauch oder den Regler tropft, schalten Sie sofort die Gaszufuhr ab. Bestimmen Sie die Ursache, beheben Sie sie, säubern und inspizieren Sie dann das Ventil, den Schlauch und den Regler, bevor Sie fortfahren. Machen Sie einen Dichtigkeitstest.
- Lagern Sie keine Gegenstände oder Materialien im Gerätewagen-Gehäuse, das den Verbrennungsluft-Durchsatz zur Unterseite von entweder der Bedienleiste oder der Wanne des Brennraums blockieren würde.
- Unterbrechen Sie den Anschluss NICHT oder wechseln Sie NICHT die Gasflasche, wenn Sie weniger als 3 m von einer offenen Flamme oder einer anderen Zündquelle entfernt sind.

Unterbringung der Gasflasche

In das Gerät eingesetzte Zylinder dürfen einen maximalen Durchmesser von 340 mm und eine maximale Höhe von 580 mm haben. Größere Zylinder dürfen nur unter die Seitenablage oder hinter den Grill gestellt werden. Auf den Boden gestellte Zylinder dürfen nicht unter die Heizplatte gestellt werden.

Anforderungen an den Regler

Ein Regler muss zusammen mit diesem Gerät verwendet werden. Nutzen Sie nur Gasregler, die zusammen mit Ihrem Grill geliefert wurden. Wenn kein Regler mitgeliefert wird, dann benutzen Sie nur gemäß EN 16129 zertifizierte Regler (maximaler Durchfluss 1,5 kg/h) und die, die für Ihr Land und gemäß technischer Daten für Gas zugelassen sind.


Anforderungen an Schläuche



Nutzen Sie nur zugelassene Schläuche, die nach ordnungsgemäßen EN-Normen zertifiziert sind und die eine Länge von 1,5 m nicht überschreiten. In Finnland darf die Schlauchlänge 1,2 m nicht überschreiten. Prüfen Sie vor jeder Nutzung, ob die Schläuche Risse oder Abnutzungen aufweisen. Vergewissern Sie sich, dass der Schlauch nicht geknickt ist. Sorgen Sie dafür, dass der angeschlossene Schlauch nicht mit heißen Oberflächen in Berührung kommt. Ersetzen Sie beschädigte Schläuche, bevor Sie das Gerät verwenden. Ersetzen Sie den Schlauch, wie es die Richtlinien in Ihrem Land erfordern.

Zündbrenner anzünden

• Lehnen Sie sich nicht über den Grill, während Sie ihn zünden.

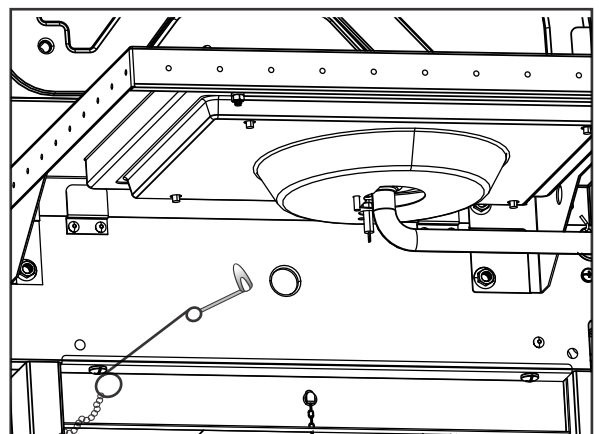
1. Drehen Sie das Gasbrenner-Regelventil auf O (aus).
2. Öffnen Sie den Deckel während des Anzündens oder des erneuten Zündens.
3. Drehen Sie das Gas an der Gasflasche auf AN.
4. Zum Zünden drücken und drehen Sie den Brenner-Drehknopf auf 🔻 HOCH.
Drücken und halten Sie sofort den ELEKTRONISCHEN ZÜNDBRENNER-Knopf, bis der Brenner zündet.
5. Wenn die Zündung NICHT innerhalb von 5 Sekunden eintritt, drehen Sie den Brenner-Regler aus O, warten Sie 5 Minuten und wiederholen Sie den Zündungsvorgang.
6. Wiederholen Sie die Schritte 4 und 5, um weitere Hauptbrenner anzuzünden.

	WARNUNG	
<p>Schalten Sie die Bedienelemente und die Gasflasche aus, wenn Sie sie nicht benutzen. Stellen Sie sicher, dass der angeschlossene Schlauch keine warmen Oberflächen berührt.</p>		

	ACHTUNG	
<p>Wenn die Zündung NICHT innerhalb von 5 Sekunden eintritt, drehen Sie den Brenner-Regler aus O, warten Sie 5 Minuten und wiederholen Sie den Zündungsvorgang. Wenn der Brenner nicht mit geöffnetem Gas-Ventil zündet, wird weiterhin Gas aus dem Brenner austreten und könnte versehentlich gezündet werden, wobei ein Verletzungsrisiko besteht.</p>		

Gasflasche auf AN.

- **Lehnen Sie sich nicht über den Grill, während Sie ihn zünden.**
1. Drehen Sie die Gasbrenner-Regelventile auf O (aus).
 2. Öffnen Sie den Deckel während des Anzündens oder des erneuten Zündens.
 3. Drehen Sie das Gas an der Gasflasche auf AN.
 4. Legen Sie die Streichhölzer in den Streichholz-Halter (hängt an der Seitenverkleidung des Grills). Zünden Sie das Streichholz an; zünden Sie dann den Brenner an, indem Sie das Streichholz durch das Streichholz-Loch an der Seite des Grills halten. Drücken und drehen Sie den Brenner-Drehknopf sofort auf die Stellung 🔻 HOCH. Vergewissern Sie sich, dass der Brenner brennt und angezündet bleibt.
 5. Zünden Sie angrenzende Brenner der Reihe nach an, indem Sie die Drehknöpfe eindrücken und auf die Stellung 🔻 HOCH drehen.

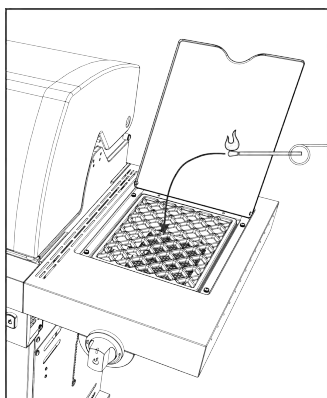


Sengender Brenner Zünder Beleuchtung Beugen Sie sich beim Anzünden nicht über den Grill.

1. Schalten Sie die Gasbrenner-Steuerventile aus.
2. Öffnen Sie den Deckel beim Anzünden oder erneuten Anzünden.
3. Schalten Sie das Gas an der LP-Flasche ein.
4. Drehen Sie den Sengender Brenner -Knopf in die Position HIGH, halten Sie die Taste ELECTRONIC IGNITOR gedrückt.
5. Wenn der Sengender Brenner NICHT innerhalb von 5 Sekunden aufleuchtet, drehen Sie den Knopf auf OFF, warten Sie 5 Minuten und wiederholen Sie dann den Beleuchtungsvorgang.

Sengender Brenner Zündholz Beleuchtung Beugen Sie sich beim Anzünden nicht über den Grill.

1. Schalten Sie die Gasbrenner-Steuerventile aus.
2. Öffnen Sie den Deckel beim Anzünden oder erneuten Anzünden.
3. Schalten Sie das Gas an der LP-Flasche ein.
4. Stellen Sie das brennende Streichholz in die Nähe des Brenners. Drehen Sie den Sengender Brenner -Knopf sofort in die Position HIGH. Stellen Sie sicher, dass der Brenner leuchtet und leuchtet.



Dichtigkeitsprüfung für Ventile, Schlauch und Regler

Führen Sie einen Dichtigkeitsstest vor der Erstinbetriebnahme aus, mindestens einmal pro Jahr und jedes Mal, wenn die Gasflasche gewechselt wurde oder die Verbindung getrennt war.

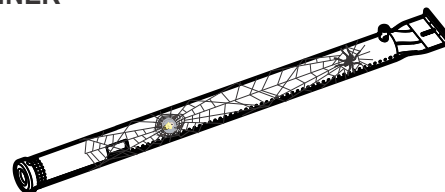
1. Drehen Sie alle Drehregler des Geräts auf 0.
2. Vergewissern Sie sich, dass der Regler mit der Gasflasche fest verbunden ist.
3. Drehen Sie das Gas an. Falls Sie ein zischendes Geräusch hören, stellen Sie das Gas sofort ab. Es gibt eine größere Undichtigkeit in der Verbindung. Reparieren Sie diese, bevor Sie fortfahren.
4. Bürsten Sie eine seifige Lösung auf die Schlauchverbindungen (Mischung aus halb Seife und halb Wasser).
5. Wenn Blasen auftauchen, die immer größer werden, ist dort eine Undichtigkeit. Stellen Sie das Gas an der Flasche sofort ab und prüfen Sie, ob die Verbindungen fest sind. Wenn die Leckage nicht abgedichtet werden kann, versuchen Sie nicht, sie zu reparieren. Fordern Sie Ersatzteile an.
6. Stellen Sie stets das Gas an der Flasche ab, nachdem Sie einen Dichtigkeitsstest ausgeführt haben.



ACHTUNG

SPINNEN-ALARM!

SPINNEN UND SPINNENETZE IM BRENNER



Wenn Ihr Grill schwer anzuzünden ist oder die Flamme schwach ist, prüfen und reinigen Sie die Venturi-Schläuche und die Brenner.

Spinnen oder kleine Insekten sind dafür bekannt, Rückstau-Probleme zu schaffen, indem sie Nester bauen und Eier in die Venturi-Schläuche oder Brenner des Grills legen, was den Gasdurchfluss verhindern kann. Das rückgestaute Gas kann sich hinter dem Bedienfeld entzünden. Dieser Rückstau kann Ihren Grill beschädigen und Verletzungen verursachen. Um Rückstau zu verhindern und für eine gute Leistung zu sorgen, sollten der Brenner und die Venturi-Schlauch-Elemente entfernt und gereinigt werden, wenn der Grill für einen längeren Zeitraum unbenutzt war.

WENN DAS GERÄT NICHT ZÜNDET

- Vergewissern Sie sich, dass das Gas an der Flasche aufgedreht ist.
- Vergewissern Sie sich, dass sich Gas in der Flasche befindet.
- Macht der Zünder ein Geräusch wie bei einer Funkenbildung?
 - Falls ja, prüfen Sie, ob am Brenner Funken entstehen.
 - Falls keine Funken vorhanden sind, prüfen Sie, ob die Kabel beschädigt oder locker sind.
- Wenn die Kabel in Ordnung sind, prüfen Sie, ob Elektroden gerissen oder zerbrochen sind, ersetzen Sie sie bei Bedarf.
- Wenn Drähte oder Elektroden von Essensrückständen bedeckt sind, reinigen Sie die Elektrodenspitze mit einem in Alkohol getränkten Tuch, wenn es erforderlich ist.
- Ersetzen Sie die Kabel bei Bedarf.
- Wenn keine Geräusche auftreten, prüfen Sie die Batterie.
- Vergewissern Sie sich, dass die Batterie korrekt eingebaut ist.
- Prüfen Sie, ob sich die Kabelverbindungen am Modul und Schalter gelockert haben.
- Falls die Zündung weiterhin nicht funktioniert, verwenden Sie ein Streichholz.

Reinigung der Brennelemente

Folgen Sie dieser Anweisung, um Teile der Brennelemente zu reinigen und/oder zu ersetzen, oder wenn Sie Schwierigkeiten haben, den Grill zu zünden.

1. Stellen Sie das Gas an den Drehreglern der Gasflasche ab.

- Entfernen Sie die Grillroste und den Flammenschutz.
- Entfernen Sie die Schlauchführung und die Schrauben, die den Brenner sichern.
- Entnehmen Sie die Elektrode aus dem Brenner.

HINWEIS: Die Methode, wie entfernt/entnommen wird, ist abhängig von der Brennerkonfiguration. Bitte betrachten Sie hierzu verschiedene Konfigurationen in den Abbildungen unten.

- Heben Sie vorsichtig jeden Brenner hoch und von den Ventilöffnungen weg. Wir empfehlen drei Methoden, die Brennerschläuche zu reinigen. Verwenden Sie diejenige, die für Sie am leichtesten ist.

A. Biegen Sie einen festen Draht (ein Leichtmetall-Kleiderbügel ist für diesen Zweck gut geeignet) in einen schmalen Haken. Führen Sie den Haken mehrere Male durch jeden Brennerschlauch.

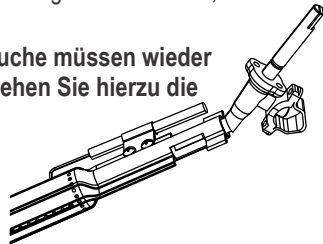
B. Verwenden Sie eine schmale Flaschenbürste mit einem flexiblen Griff (verwenden Sie keine Messingdrahtbürste). Führen Sie die Bürste mehrere Male durch jeden Brennerschlauch.

C. Tragen Sie eine Schutzbrille: Treiben Sie unter Druck mittels eines Luftschlauchs Luft in den Brennerschlauch und aus den Brenneröffnungen wieder hinaus. Prüfen Sie jede Öffnung, um sich zu vergewissern, dass aus jedem Loch Luft strömt.

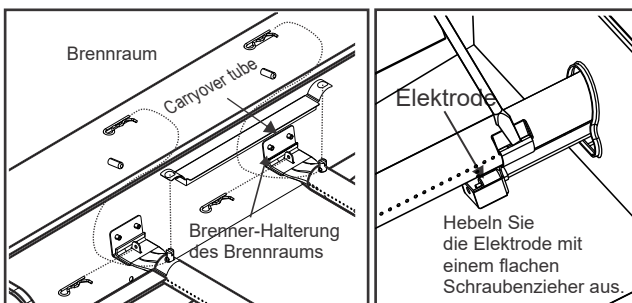
- Bürsten Sie die gesamte äußere Oberfläche des Brenners mit einer Drahtbürste, um Essensrückstände und Schmutz zu entfernen.
- Reinigen Sie alle verstopften Öffnungen mit einem steifen Draht wie beispielsweise einer aufgebogenen Büroklammer.
- Prüfen Sie, ob der Brenner aufgrund von normaler Abnutzung oder Korrosion beschädigt ist, einige Löcher können geweitet sein. Wenn irgendwelche großen Risse oder Löcher gefunden werden, ersetzen Sie den Brenner.

SEHR WICHTIG: Die Brennerschläuche müssen wieder in die Ventilöffnungen einrasten. Sehen Sie hierzu die Abbildung rechts.

Die korrekte Verbindung vom Brenner zum Ventil



- Befestigen Sie die Elektrode am Brenner.
- Ersetzen Sie die Brenner vorsichtig.
- Befestigen Sie die Brenner an den Klammern des Brennraums.
- Bringen Sie die Schlauchführung wieder an und verbinden Sie sie mit dem Brenner. Bringen Sie den Flammenschutz und die Grillroste wieder an.
- Bevor Sie erneut kochen oder grillen, führen Sie einen „Dichtigkeitstest“ und eine „Brennerflammenprüfung“ durch.



Lagerung Ihres Geräts

- Reinigen Sie den Grillrost.
- Lagern Sie ihn an einem trockenen Ort.
- Wenn eine Gasflasche an das Gerät angeschlossen ist, lagern Sie es im Freien an einem gut belüfteten Ort und außerhalb der Reichweite von Kindern.
- Decken Sie das Gerät ab, wenn es im Freien gelagert wird.
- Lagern Sie das Gerät NUR in einem geschlossenen Raum, wenn die Gasflasche abgedreht ist und vom Gerät getrennt im Freien gelagert wird.
- Wenn Sie das Gerät aus dem Lager holen, prüfen Sie, ob der Brenner verstopft ist.
Entfetter oder konzentrierte Gerätereiniger an Plastikteilen.

Allgemeine Gerätereinigung

Eine regelmäßige Reinigung dieses Grills ist erforderlich, da es zu Grillbränden kommen kann wenn sich Fett und Speisereste am Boden des Grills ansammeln. Nach Entfernen Sie bei jedem Gebrauch alle verbleibenden Speisereste vom Rost und im Inneren des Grills mit einer Char-Broil Cool-Clean-Bürste. Danach Sie können Char-Broil Grate Cleaner großzügig auf den Rost sprühen, 10 Minuten einwirken lassen und mit einem feuchten Tuch oder einer Bürste abwischen. Führen Sie die Grillreinigung durch, nachdem der Grill abgekühlt ist.

- Verwechseln Sie nicht die braune oder schwarze Ansammlung von Fett und Rauch für Farbe. Innenräume aus Gas Grills werden im Werk nicht gestrichen (und sollten es auch nie sein) gemalt). Tragen Sie eine starke Lösung aus Reinigungsmittel und Wasser auf oder verwenden Sie sie ein Gerätereiniger mit Bürste an den Innenseiten der Gerätedeckels und Unterseite. Spülen und vollständig an der Luft trocknen lassen. Nicht bewerben Ätzer / Backofenreiniger auf lackierten Oberflächen.
- Kunststoffteile: Mit warmem Seifenwasser waschen und trocken wischen. Machen Sie keine Scheuermittel, Entfetter oder konzentrierten Mittel Gerätereiniger auf Kunststoffteilen. Beschädigung und Ausfall von Teile können entstehen.
- Porzellanoberflächen: Meistens aufgrund der glasartigen Zusammensetzung Rückstände können mit Backpulver / Wasser-Lösung abgewischt werden, Glasreiniger oder Char-Broil-Rostreiniger. Verwenden Sie nicht abrasiv Scheuermittel für hartnäckige Flecken.
- Lackierte Oberflächen: Mit einem milden Reinigungsmittel oder Reinigungsmittel waschen und warmes Seifenwasser oder Char-Broil Grill Cleaner. Mit einem trockenen wischen weiches nicht abrasives Tuch.
- Kochflächen: Stellen Sie sicher, dass beim Kochen keine losen Borsten zurückbleiben Oberflächen vor dem Grillen. Während der Grill heiß ist, ist es nur empfohlen, Kochflächen mit dem Char-Broil zu reinigen Hot-Clean-Ersatzkopf (beim Char-Broil Cool-Clean Premium Pinsel).



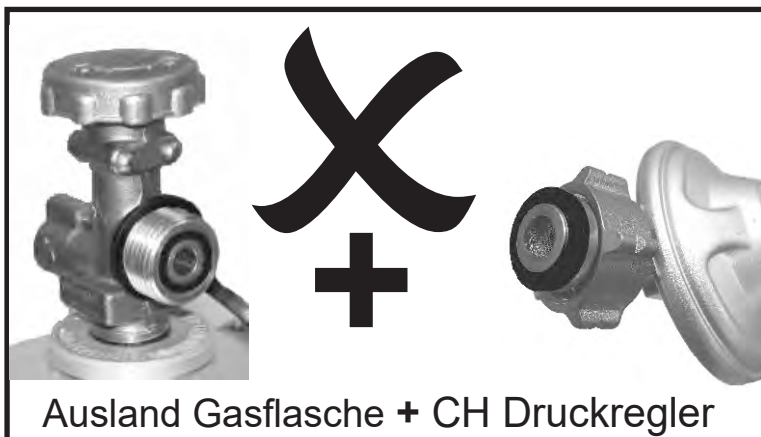
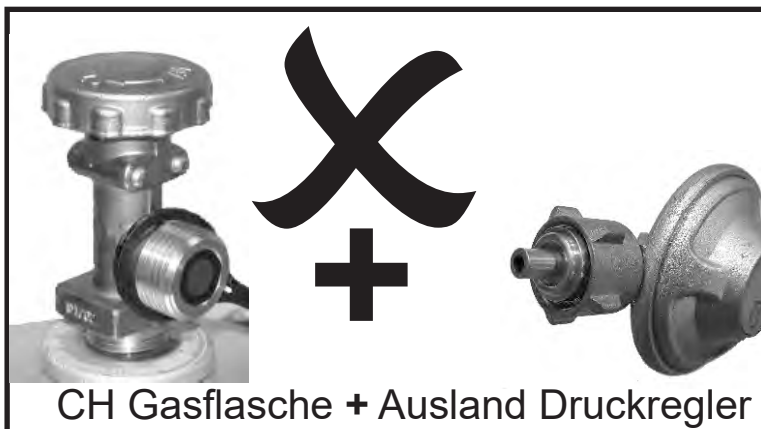
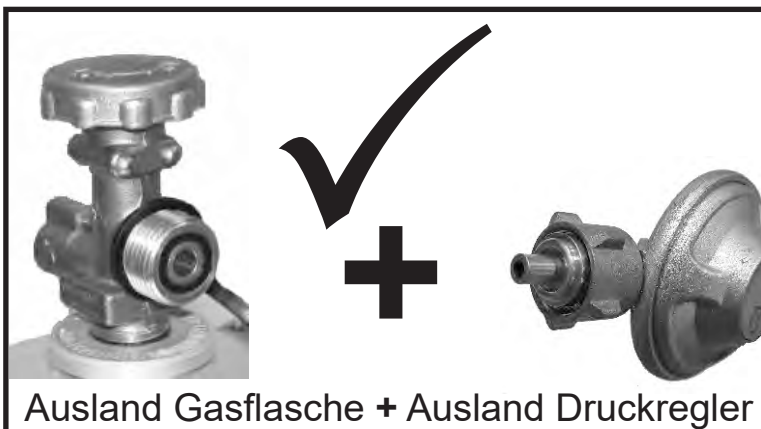
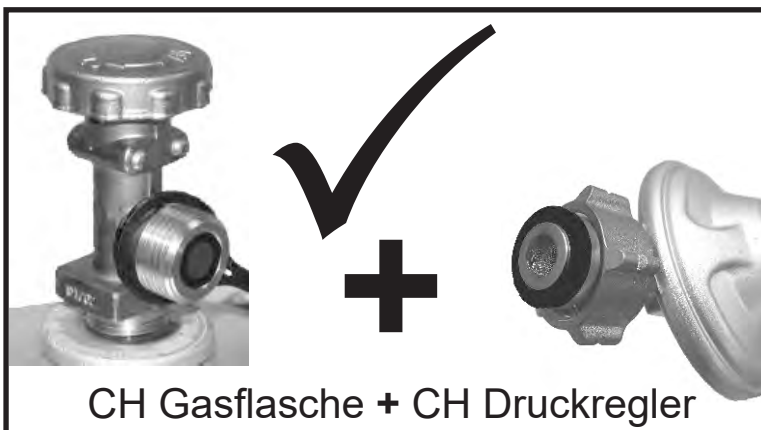
SAUBERE Einstellung

Ihr Grill ist mit einer innovativen CLEAN-Einstellung ausgestattet, die dies ermöglicht problemlose Grillreinigung. Die hohe Wärme, die von den Brennern erzeugt wird verwandelt alle verbleibenden Speisereste in Asche.

Folge diesen Schritten:

- Stellen Sie nach dem Grillen alle Hauptbrenner auf SAUBER einstellen und ca. 12 - 15 Minuten einwirken lassen
- Stellen Sie nach ca. 12 - 15 Minuten alle Hauptbrenner auf ein AUS-Einstellung und Grill abkühlen lassen
- Wenn der Grill abgekühlt ist, verwenden Sie eine Char-Broil Cool-Clean-Bürste, um Entfernen Sie alle verbleibenden Rückstände und entsorgen Sie die Asche
- Um besonders glänzende Ergebnisse zu erzielen, verwenden Sie den Char-Broil-Rostreiniger als ein letzter Schritt. Großzügig auf den Rost sprühen, einwirken lassen 10 Minuten und mit einem feuchten Tuch oder Pinsel abwischen

WICHTIG! BITTE LESEN SIE!



Ein Regler muss mit diesem Gerät verwendet werden. Verwenden Sie nur den mit Ihrem Grill gelieferten Gasregler. Wenn kein Regler geliefert wird, verwenden Sie nur einen Regler, der nach EN16129 (Durchflussrate max. 1,5 kg / h) zertifiziert und für Ihr Land und Gas zugelassen ist, wie in den Technischen Daten angegeben. Sie müssen eine Gasflasche verwenden, die mit Ihrem Druckminder kompatibel ist.

Nur für die Schweiz

Es besteht die Gefahr von Feuer und Explosion mit Gasgeräten, welche mit einem ausländischen Druckminder reguliert werden. Diese sind nicht kompatibel mit den Gastanks und Gasdruckminderer, die in der Schweiz verfügbar sind.

Durch die unterschiedlichen Dichtungssysteme ist es unmöglich, den Regler ordnungsgemäß mit den Gastank zu versiegeln. Hier wird Gas entweichen und kann durchaus durch Flammen oder Funken Feuer fangen und sich entzünden. Ein Lebensbedrohliche Explosion und/oder Schäden ihres Eigentums könnten entstehen. Schweizerische und deutsche Gasflasche und Druckregler können nicht miteinander zusammengeführt werden.

Aus Sicherheitsgründen, überprüfen Sie bitte den Druckminderer Ihres Grills und Ihr Gastank-Anschluss und vergewissern Sie sich, dass es den abgebildeten Gebrauchsanweisungen entspricht. Führen Sie jedes Mal eine

Leckageprüfung durch, wenn Sie ihren Grill mit dem Gastank verbinden wollen.

TECHNISCHE SPEZIFIKATIONEN
CHAR-BROIL, LLC

Gerätebezeichnung	Gas-Grill			
Gesamtnennwärmezufuhr	9.67 kW (704 g/h)		9.67 kW (704 g/h)	
Gas-Kategorie	I3+(28-30/37)	I3B/P(30)	I3B/P(50)	
Modell-Nr.	468972023		468782023	
Gas-Art	Butan	Propan	Butan, Propan oder deren Gemische	Butan, Propan oder deren Gemische
Gasdruck	28-30 mbar	37 mbar	30 mbar	50 mbar
Injektorgröße (Durchm. mm)	Grill: 0,86 x 2 Stk.		Grill: 0,86 x 2 Stk.	Grill: 0,75 x 2 Stk.
Sengender Brenner Injektorgröße (Durchm. mm)	0,91 x 1 pcs		0,91 x 1 pcs	0,81 x 1 pcs
Bestimmungsländer	GB, FR, BE, ES, IT, PT, CZ, SK, CH, CY, GR, IE, LT, LU, LV, SI	DK, NO, NL, SE, FI, IS, CZ, IT, SK, BG, CY, EE, HR, HU, LT, LU, LV, MT, RO, SI, TR	AT, DE, CH, LU, SK	

Edelstahl

Es gibt viele verschiedene Materialarten (Legierungen), die als Edelstahl bezeichnet werden.

Eine gemeinsame Eigenschaft dieser verschiedenen Materialarten ist, dass sie abhängig von den Bedingungen, denen sie ausgesetzt sind, rosten (oxidieren).

Dies gilt auch für Ihren neuen Grill.

Damit Ihr Grill sein Aussehen und seine Funktionalität für viele Jahre behält, befolgen Sie bitte diesen Rat:

- 1) Wenn Ihr Grill nass oder feucht geworden ist, wischen Sie ihn mit einem Tuch gründlich trocken, um zu verhindern, dass die Oberfläche rostet.
- 2) Edelstahl kann unter bestimmten Bedingungen rosten. Dies kann durch Umweltbedingungen, wie zum Beispiel Chlor oder Salzwasser, oder aber auch durch ungeeignete Reinigungstools, wie zum Beispiel Drahtbürsten oder Stahlwolle, verursacht werden. Edelstahl kann sich auch durch die Einwirkung von Hitze, Chemikalien oder Schmierfettablagerungen verfärben.
- 3) Um das hochwertige Erscheinungsbild Ihres Geräts beizubehalten, waschen Sie es mit einem milden Reinigungsmittel und warmem Seifenwasser ab und wischen es mit einem weichen Tuch nach jedem Gebrauch trocken. Um angebrannte Schmierfettreste zu entfernen, verwenden Sie eventuell einen rauen Kunststoffschwamm. Benutzen Sie diesen nur in Richtung der lackierten Fläche, um Schäden zu vermeiden. Verwenden Sie keine scheuernden Schleifpads auf bedruckten Bereichen.
- 4) Schmier Sie die innenliegenden Teile des Grills und den Grillrost mit Speiseöl bzw. Bratfett ein..

Bitte beachten Sie:

Verwenden Sie zum Reinigen von Edelstahl niemals Stahlwolle oder ähnliches, um Kratzer auf der Oberfläche zu vermeiden und eine Grundlage für Rost zu schaffen.

Beim Reinigen arbeiten Sie in dieselbe Richtung, in der das Edelstahl gebürstet wurde – ‚in Faserrichtung‘.

Das Reinigen mit Schleifmitteln könnte zu Kratzern führen.

Das Aufbewahren des Grills in Küstennähe, neben einem Swimmingpool oder Whirlpool wird Rostbefall (Oxidierung) beim Grill hervorrufen.

Decken Sie Ihren Grill ab, um ihn vor Rost zu schützen.

INSTALLATORE/ASSEMBLATTORE:

Lasciare il presente manuale al consumatore.

CONSUMATORE:

Conservare il presente manuale per riferimenti futuri.

Domande:

Se avete domande durante il montaggio o l'utilizzo di questo apparecchio contattare il rivenditore locale.



PERICOLO



Se si sente odore di gas:

1. Chiudere l'alimentazione del gas all'apparecchio.
2. Spegnerne le eventuali fiamme libere.
3. Aprire il coperchio.
4. Se si continua ad avvertire odore, mantenersi lontani dall'apparecchio e chiamare immediatamente il proprio fornitore di gas o il comando locale dei vigili del fuoco.



AVVERTENZA



1. Non conservare o utilizzare benzina o altri liquidi infiammabili in prossimità di questo o di altri elettrodomestici.
2. Non conservare alcuna bombola di gas non collegata per l'uso in prossimità di questo o di altri elettrodomestici.



ATTENZIONE



- ⌚ Leggere e seguire tutte le istruzioni di sicurezza, le istruzioni di montaggio e le indicazioni per l'uso e la manutenzione prima di assemblare e cucinare.
- ⌚ Alcune parti possono contenere bordi taglienti. Indossare guanti di protezione, se consigliato.

Grasso in fiamme

- ⌚ Se il grasso inizia a bruciare, non è possibile spegnerlo chiudendo semplicemente il coperchio. I barbecue sono ben ventilati per motivi di sicurezza.
- ⌚ Non utilizzare acqua sul grasso in fiamme, onde evitare possibili lesioni personali. Se un incendio si sviluppa dal grasso in fiamme, ruotare le manopole e la bombola del gas in posizione spenta (OFF).
- ⌚ Se l'apparecchio non viene pulito regolarmente, è possibile che il grasso si incendi, con il rischio di danneggiare il prodotto. Fare molta attenzione durante il preriscaldamento o lo spegnimento di residui di alimenti in fiamme, al fine di garantire che il grasso non si incendi. Seguire le istruzioni per la pulizia generale dell'apparecchio e la pulizia del gruppo bruciatore, al fine di impedire che il grasso si incendi. Il modo migliore per impedire che il grasso si incendi è eseguire una pulizia regolare dell'apparecchio.
- ⌚ Non lasciare incustodito il barbecue durante il preriscaldamento o lo spegnimento di residui di alimenti in fiamme. Se il barbecue non viene pulito regolarmente, è possibile che il grasso si incendi, con il rischio di danneggiare il prodotto.



AVVERTENZA



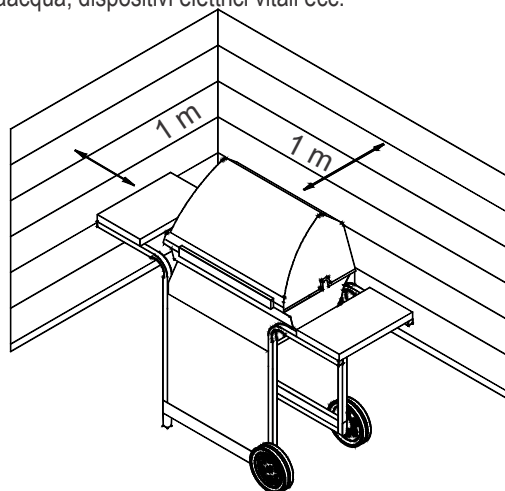
Per un utilizzo sicuro del proprio Apparecchio e per evitare lesioni gravi:

• **UTILIZZARE SOLO ALL'APERTO. NON PER USO INTERNO.**

Leggere le istruzioni prima di utilizzare l'apparecchio.

Attenersi sempre alle istruzioni.

- Non spostare l'apparecchio durante l'uso.
- Le parti accessibili potrebbero essere surriscaldate. Tenere lontano dalla portata dei bambini. Non permettere ai bambini di utilizzare o giocare nelle vicinanze dell'apparecchio.
- Chiudere il rubinetto del gas in prossimità della bombola dopo l'uso.
- Questo apparecchio deve essere tenuto lontano da materiali infiammabili durante l'uso.
- Non ostruire i fori ai lati o sulla parte posteriore dell'apparecchio.
- Controllare le fiamme del bruciatore regolarmente.
- Non ostruire le aperture del tubo di Venturi poste sul bruciatore.
- Utilizzare l'apparecchio solo in uno spazio ben ventilato. Non utilizzare mai in uno spazio chiuso, come posti auto coperto, garage, portici,
- patio coperti o al di sotto di una struttura sopraelevata di qualsiasi tipo.
- Non utilizzare carbone o bricchette di ceramica in un apparecchio a gas.
- **NON** coprire le griglie con un foglio di alluminio o di qualsiasi altro materiale. In questo modo, si ostruirà la ventilazione del bruciatore e si creerà una condizione potenzialmente pericolosa causando danni a cose o beni e/o lesioni personali.
- **Utilizzare l'apparecchio entro una distanza di almeno 1 metro da qualsiasi parete o superficie.**
- Mantenere 3 metri di spazio libero da oggetti che possono incendiarsi o da fonti di accensione, come fiamme pilota di scaldacqua, dispositivi elettrici vitali ecc.



- **NON** tentare MAI di accendere il bruciatore con il coperchio chiuso. Un accumulo di gas non acceso all'interno di un apparecchio chiuso è pericoloso.
- Spegnerne sempre il gas in prossimità della bombola e scollegare il regolatore prima di spostare la bombola del gas dalla posizione di funzionamento specificata.
- Non utilizzare mai l'apparecchio con una bombola di gas mal posizionata rispetto alla sede corretta specificata.
- Non modificare l'apparecchio. Qualsiasi modifica è severamente vietata. Le parti sigillate non devono essere manipolate dall'utilizzatore. Non smontare gli iniettori.

Suggerimenti per la sicurezza

- Prima di aprire la valvola della bombola del gas, controllare la tenuta del regolatore.
- Se l'apparecchio non è in uso, spegnere tutte le manopole di controllo e il gas.
- Utilizzare utensili da barbecue con manico lungo e guanti da forno per evitare ustioni e schizzi. Utilizzare guanti protettivi quando si maneggiano componenti caldi.
- Il carico massimo per la piastra calda, se presente, e il ripiano laterale è di 4,5 kg. Recipiente di cottura con diametro minimo di 200 mm e diametro massimo di 260 mm **NOTA:** Il barbecue dell'utente potrebbe NON essere dotato di una piastra calda!
- La coppa raccogli grassi (se presente) deve essere inserita nell'apparecchio e svuotata dopo ogni utilizzo. Non rimuovere la coppa raccogli grassi prima del completo raffreddamento dell'apparecchio.
- Fare molta attenzione quando si apre il coperchio, in quanto potrebbe fuoriuscire del vapore caldo.
- Fare molta attenzione quando sono presenti bambini, anziani o animali nelle vicinanze.
- Se si nota grasso o altro materiale caldo gocciolare dall'apparecchio sulla valvola, sul tubo o sul regolatore, spegnere immediatamente l'alimentazione del gas. Determinare la causa, correggerla, quindi pulire e ispezionare la valvola, il tubo flessibile e il regolatore prima di continuare. Eseguire una prova di tenuta.
- Non riporre oggetti o materiali all'interno del mobile carrello dell'apparecchio che potrebbero bloccare il flusso dell'aria di combustione sulla parte inferiore del pannello di controllo o della ciotola del focolare.
- NON scollegare o sostituire il contenitore di gas entro una distanza di 3 metri da una fiamma libera o altra fonte di accensione.

Posizionamento della bombola

Le bombole posizionate nell'apparecchio devono avere un diametro massimo di 340 mm e un'altezza massima, compreso il regolatore, di 580 mm. Le bombole più grandi devono essere posizionate solo sotto il ripiano laterale o dietro il barbecue. Le bombole appoggiate a terra non devono essere poste sotto la piastra calda.

Requisiti del regolatore

Con questo apparecchio deve essere utilizzato un regolatore. Utilizzare solo il regolatore del gas fornito in dotazione con il barbecue. Se il regolatore non fa parte della dotazione, utilizzare solo un regolatore certificato secondo la norma EN16129 (portata massima 1,5 kg/ora) e approvato per il proprio Paese e il gas specificato nei Dati Tecnici.



Requisiti dei tubi flessibili



Utilizzare solo un tubo flessibile approvato che sia certificato secondo i requisiti della normativa EN e che non superi 1,5 metri di lunghezza. Per la Finlandia, la lunghezza del tubo flessibile non deve superare 1,2 metri.

Prima di ogni utilizzo, verificare che i tubi flessibili non presentino tagli o segni di usura. Accertarsi che il tubo flessibile non sia piegato. Accertarsi che una volta collegato il tubo flessibile non venga a contatto con superfici calde. Sostituire i tubi flessibili danneggiati prima di utilizzare l'apparecchio. Sostituire il tubo flessibile come richiesto dalle normative nazionali.

Accensione dell'accenditore

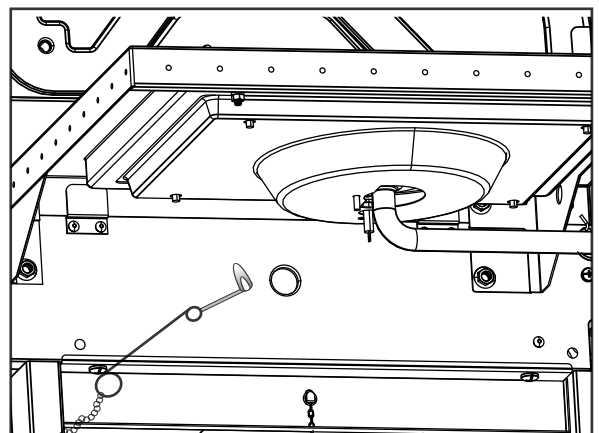
- **Non sporgersi sopra il barbecue durante l'accensione.**
1. Ruotare le valvole di controllo del bruciatore del gas in posizione "spenta" ○ (off).
 2. Aprire il coperchio durante l'accensione o la riaccensione.
 3. Accendere (ON) il gas in prossimità della bombola di gas propano liquido (PL).
 4. Per accendere, spingere e ruotare il bruciatore in posizione "alto" ⬇ HIGH. Immediatamente, premere e tenere premuto il pulsante dell'ACCENDITORE ELETTRONICO fino ad accensione avvenuta.
 5. Se l'accensione NON avviene entro 5 secondi, ruotare le manopole di controllo del bruciatore in posizione "spenta" ○, attendere 5 minuti e ripetere la procedura di accensione.
 6. Ripetere i passaggi 4 e 5 per accendere gli altri bruciatori principali.

	AVVERTENZA	
<p>Spegnere i comandi e la bombola del gas quando non vengono utilizzati.</p> <p>Assicurarsi che quando è collegato il tubo flessibile non tocchi le superfici calde.</p>		

	ATTENZIONE	
<p>Se l'accensione NON avviene entro 5 secondi, ruotare le manopole di controllo del bruciatore in posizione "spenta" ○ attendere 5 minuti e ripetere la procedura di accensione. Se il bruciatore non si accende con la valvola aperta, il gas continuerà a fluire fuori dal bruciatore e potrebbe accidentalmente incendiarsi con rischio di lesioni.</p>		

Accensione con fiammiferi

- **Non sporgersi sopra il barbecue durante l'accensione.**
1. Ruotare le valvole di controllo del bruciatore del gas in posizione "spenta" ○ (off).
 2. Aprire il coperchio durante l'accensione o la riaccensione.
 3. Accendere (ON) il gas in prossimità della bombola di gas propano liquido (PL).
 4. Mettere un fiammifero nel supporto per fiammiferi (appeso al pannello laterale del barbecue). Accendere il fiammifero; quindi, accendere il bruciatore mettendo facendo passare il fiammifero all'interno del foro di accensione sul lato del barbecue. Spingerlo immediatamente all'interno e ruotare la manopola del bruciatore in posizione "alto" ⬇ (HIGH). Accertarsi che l'accensione sia avvenuta e rimanga accesa.
 5. Accendere i bruciatori adiacenti in sequenza spingendo le manopole e ruotandole in posizione "alto" ⬇ (HIGH).



Accensione del bruciatore Sear

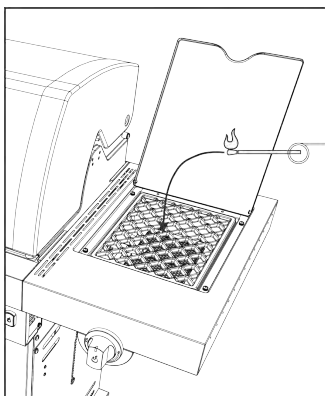
Non chinarsi sul barbecue durante l'accensione.

1. Portare le valvole di controllo del bruciatore a gas su OFF.
2. Aprire il coperchio durante l'accensione o la riaccensione.
3. Accendere il gas alla bombola di GPL.
4. Ruotare la manopola del bruciatore Sear in posizione ALTO, premere e tenere premuto il pulsante ACCENDITORE ELETTRONICO.
5. Se il Bruciatore ardente NON si accende entro 5 secondi, ruotare la manopola su OFF, attendere 5 minuti, quindi ripetere la procedura di accensione.

Bruciatore ardente Match Lighting

Non chinarsi sul barbecue durante l'accensione.

1. Portare le valvole di controllo del bruciatore a gas su OFF.
2. Aprire il coperchio durante l'accensione o la riaccensione.
3. Accendere il gas alla bombola di GPL.
4. Posizionare un fiammifero acceso vicino al bruciatore. Ruotare immediatamente la manopola del Bruciatore ardente in posizione HIGH. Assicurati che il bruciatore si accenda e rimanga acceso.



Prove di tenuta delle valvole, del tubo flessibile e del regolatore

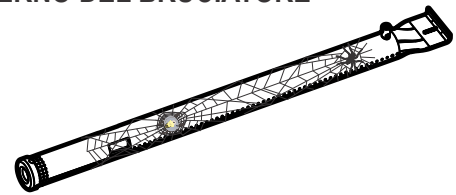
Eseguire una prova di tenuta prima del primo utilizzo, almeno una volta l'anno e ad ogni sostituzione o disconnessione della bombola.

1. Ruotare tutte le manopole di controllo dell'apparecchio in posizione .
2. Accertarsi che il regolatore sia strettamente collegato alla bombola del gas.
3. Accendere il gas. Se si sente un suono impetuoso, spegnere immediatamente il gas. In tal caso, si è in presenza di una grande perdita in prossimità del collegamento. Correggere il problema prima di procedere.
4. Spazzolare i collegamenti del tubo flessibile con una soluzione saponata (miscela per metà di acqua e sapone).
5. Se compaiono bolle d'aria, significa che è presente una perdita. Spegnerne immediatamente il gas in prossimità della bombola e verificare la tenuta dei collegamenti. Se non è possibile arrestare la perdita, non tentare di riparare. Ordinare le parti di ricambio.
6. Spegnerne sempre il gas in prossimità della bombola dopo avere eseguito la prova di tenuta.



ALLERTA RAGNI!

PRESENZA DI RAGNI E RAGNATELE ALL'INTERNO DEL BRUCIATORE



Se l'apparecchio per barbecue è sempre difficile da accendere o la fiamma è debole, controllare e pulire il tubo di Venturi e i bruciatori.

Ragni o piccoli insetti sono noti per creare problemi di "ritorno di fiamma" costruendo nidi e deponendo le uova all'interno del tubo di Venturi dell'apparecchio per barbecue o del bruciatore ostacolando il flusso di gas. Il gas di un ritorno di fiamma può incendiarsi dietro il pannello di controllo. Il ritorno di fiamma può danneggiare l'apparecchio per barbecue e causare lesioni. Per evitare ritorni di fiamma e garantire una buona prestazione, il gruppo del bruciatore e del tubo di Venturi deve essere rimosso e pulito ogni volta che l'apparecchio per barbecue rimane inattivo per un periodo di tempo prolungato.

IN CASO DI MANCATA ACCENSIONE DELL'APPARECCHIO

- Accertarsi che il gas sia acceso in prossimità della bombola.
- Accertarsi che il gas sia presente all'interno della bombola.
- L'accenditore produce un rumore di scintille?
 - In presenza di scintille, controllare la presenza di scintille in prossimità del bruciatore.
 - In assenza di scintille, controllare l'eventuale presenza di fili danneggiati o allentati.
- Se i cavi sono integri, controllare che gli elettrodi non siano incrinati o rotti, sostituire se necessario.
- Se i fili o gli elettrodi sono coperti da residui di cottura, pulire gli elettrodi con un batuffolo imbevuto di alcool, se necessario.
- Se necessario, sostituire i cavi.
- In assenza di rumori, controllare la batteria.
- Accertarsi che la batteria sia installata correttamente.
- Controllare l'eventuale presenza di collegamenti di fili allentati in prossimità del modulo e dell'interruttore.
- Se l'accenditore continua a non funzionare, utilizzare un fiammifero.

Pulizia del gruppo bruciatore

Seguire queste istruzioni per pulire e/o sostituire le parti del gruppo bruciatore o in caso di problemi con l'accensione del barbecue.

1. Spegner il gas in prossimità delle manopole di controllo e della bombola di PL.

2. Rimuovere le griglie di cottura e i diffusori di calore a tenda.
3. Rimuovere le minuterie di fissaggio dai tubi diffusori e dai bruciatori.
4. Scollegare l'elettrodo dal bruciatore.

NOTA: Il metodo di rimozione/scollegamento dipenderà dalla configurazione del bruciatore. Vedere le diverse configurazioni nelle illustrazioni riportate di seguito.

5. Sollevare delicatamente ogni bruciatore verso l'alto e lontano dalle aperture delle valvole. Sugeriamo tre modi per pulire i tubi del bruciatore. Utilizzare il metodo ritenuto più facile.

A. Piegare un filo metallico rigido (ad esempio, un appendiabiti sottile aperto) a forma di piccolo uncino. Far passare l'uncino attraverso ogni tubo del bruciatore diverse volte.



B. Utilizzare una spazzola per la pulizia delle bottiglie stretta con un manico flessibile (non utilizzare una spazzola metallica a setole di ottone). Far passare la spazzola attraverso ogni tubo del bruciatore diverse volte.

C. Indossare occhiali protettivi: Utilizzare un tubo flessibile per l'aria compressa per forzare l'aria all'interno del tubo del bruciatore e le fessure del bruciatore. Controllare ogni porta per assicurarsi che l'aria fuoriesca da ogni foro.

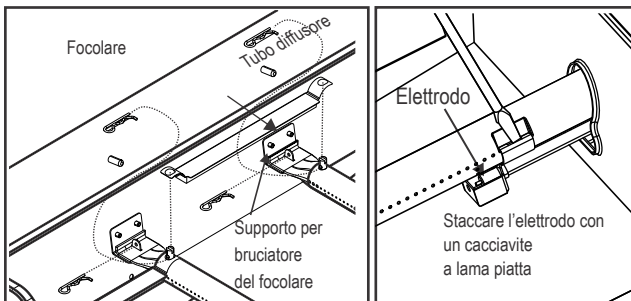
6. Spazzolare con la spazzola metallica tutta la superficie esterna del bruciatore per rimuovere i residui di cibo e sporco.
7. Pulire eventuali porte otturate con un filo metallico rigido, ad esempio una graffetta aperta.
8. Controllare che il bruciatore non presenti segni di danneggiamento, alcuni fori potrebbero allargarsi a causa della normale usura e corrosione. In presenza di grandi crepe o fori sostituire il bruciatore.

MOLTO IMPORTANTE: I tubi del bruciatore devono essere perfettamente agganciati alle aperture delle valvole. Vedere l'illustrazione riportata a destra.

Corretto aggancio del bruciatore alla valvola



9. Collegare l'elettrodo al bruciatore.
10. Ricollocare accuratamente i bruciatori.
11. Fissare i bruciatori alle staffe poste sul focolare.
12. Riposizionare i tubi diffusori e fissarli ai bruciatori. Riposizionare i diffusori di calore a tenda e le griglie di cottura.
13. Prima di cuocere di nuovo sul barbecue, eseguire una "Prova di tenuta" e un "Controllo di fiamma dei bruciatori".



Immagazzinaggio del barbecue

- Pulire le griglie di cottura.
- Conservare in luogo asciutto.
- Quando la bombola del gas è collegata all'apparecchio, immagazzinare all'aperto in uno spazio ben ventilato e fuori dalla portata dei bambini.
- Chiudere l'apparecchio con il coperchio, se immagazzinato all'aperto.
- Immagazzinare l'apparecchio in ambiente interno SOLO se la bombola del gas è scollegata, rimossa dall'apparecchio e immagazzinata all'aperto.
- Al momento di riutilizzare l'apparecchio dopo l'immagazzinaggio, controllare la presenza di eventuali ostruzioni del bruciatore.

Pulizia generale degli apparecchi

È necessaria una pulizia periodica di questa griglia, poiché possono verificarsi incendi quando grasso e residui di cibo si raccolgono sul fondo della griglia. Dopo ad ogni utilizzo, rimuovere eventuali residui di cibo dalla griglia di cottura e all'interno della griglia utilizzando una spazzola Cool-Clean Char-Broil. In seguito puoi spruzzare generosamente Char-Broil Grate Cleaner sulla griglia, lasciare agire per 10 minuti e pulire con un panno umido o una spazzola. Eseguire la pulizia della griglia dopo che la griglia si è raffreddata.

- Non confondere l'accumulo marrone o nero di grasso e fumo per la vernice. Interni di gas i barbecue non sono verniciati in fabbrica (e non dovrebbero mai esserlo dipinto). Applicare una soluzione forte di detergente e acqua o utilizzare un detergente per elettrodomestici con una spazzola per pulire le parti interne del coperchio dell'apparecchio e parte inferiore. Risciacquare e lasciare asciugare completamente all'aria. Non applicare detergente caustico per elettrodomestici / forni su superfici verniciate.
- Parti in plastica: lavare con acqua calda e sapone e asciugare. Fare non utilizzare detersivi abrasivi, sgrassanti o concentrati detergente per elettrodomestici su parti in plastica. Danni e guasto di possono risultare parti.
- Superfici in porcellana: a causa della composizione simile al vetro, la maggior parte i residui possono essere rimossi con una soluzione di bicarbonato di sodio / acqua, Detergente per vetri o Char-Broil Grate Cleaner. Usa non abrasivo polvere abrasiva per macchie ostinate.
- Superfici verniciate: lavare con un detergente delicato o un detergente e acqua calda e sapone o detergente per grill Char-Broil. Asciugare con un panno morbido non abrasivo.
- Superfici di cottura: assicurarsi che non rimangano setole sciolte durante la cottura superfici prima di grigliare. Mentre il grill è caldo, lo è solo consigliato per pulire le superfici di cottura utilizzando il Char-Broil Hot-Clean Testina di ricambio (sul Char-Broil Cool-Clean Pennello Premium).

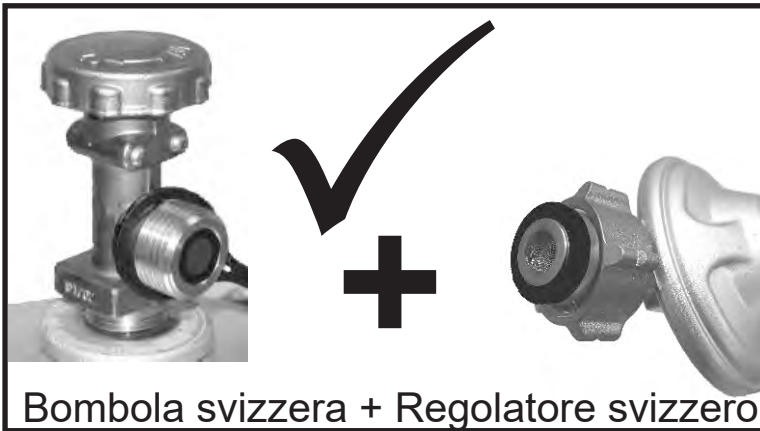
Impostazione CLEAN

La tua griglia è dotata di un'innovativa impostazione PULIZIA che consente pulizia della griglia senza problemi. L'elevato calore generato dai bruciatori trasformerà in cenere tutti i residui di cibo rimanenti.

Segui questi passi:

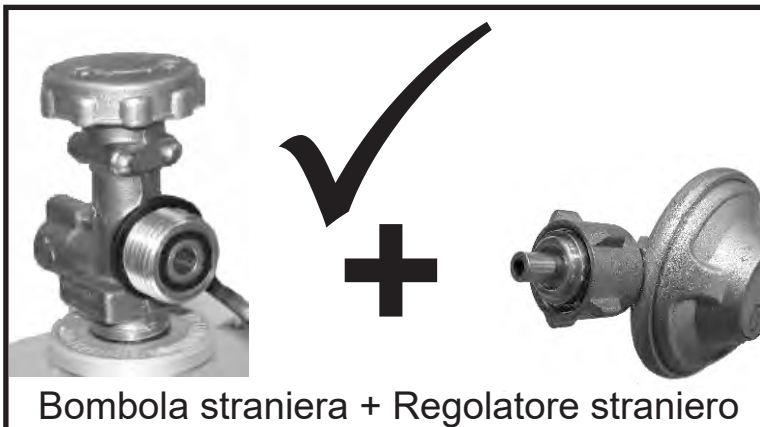
- Dopo aver finito di grigliare, regolare tutti i bruciatori principali su CLEAN impostazione e rimanere per circa 12 - 15 minuti
- Dopo circa 12 - 15 minuti, regolare tutti i bruciatori principali su Impostazione OFF e lasciare raffreddare il grill
- Una volta che la griglia è fredda, utilizzare una spazzola Cool-Clean Char-Broil per rimuovere i detriti rimasti e smaltire la cenere
- Per ottenere risultati extra brillanti, utilizzare il detergente per griglia Char-Broil come un ultimo passaggio. Spruzzare generosamente sulla griglia, lasciare agire 10 minuti e asciugare con un panno o una spazzola bagnati

IMPORTANTE! SI PREGA DI LEGGERE!



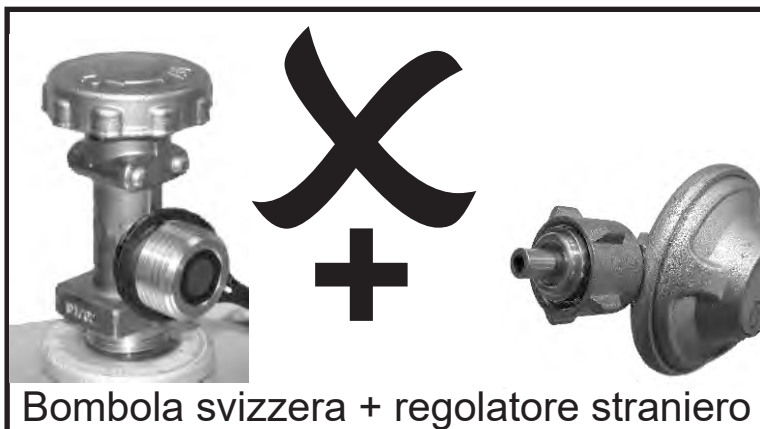
Un regolatore deve essere usato con questo apparecchio. Utilizzare solo il regolatore del gas fornito con il barbecue. Se non si fornisce un regolatore, utilizzare solo il regolatore certificato secondo EN16129 (portata max 1,5 kg / h) e approvato per il proprio paese e gas specificato in Dati tecnici. È necessario utilizzare una bombola di gas compatibile con il regolatore.

Solo per la Svizzera

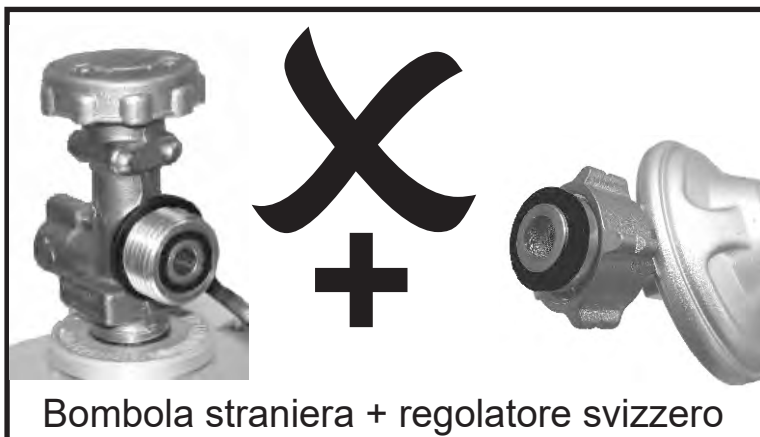


C'è pericolo di incendio e di esplosione se si utilizzano apparecchi a gas con un regolatore di pressione straniero e non compatibile con le bombole a gas e regolatori disponibili in Svizzera.

A causa del diverso sistema di connessione, è impossibile adattare il regolatore straniero alla bombola di gas chiudendolo correttamente. Di conseguenza, il gas fuoriuscirebbe e potrebbe incendiarsi venendo a contatto con fiamme o scintille. Un'esplosione così generata può causare morte e danni a persone e cose. Le bombole a gas e i regolatori svizzeri e tedeschi non sono intercambiabili.



Per ragioni di sicurezza, si invita a controllare il regolatore del vostro grill e la connessione con la bombola di gas ed assicurarsi che rientri in uno dei casi illustrati a fianco.



Si raccomanda di eseguire un test di perdita del gas ogni volta che si connette il grill alla bombola.

DATI TECNICI
CHAR-BROIL, LLC

Denominazione dell'apparecchio	Barbecue a gas/Grill a gas		
Portata termica nominale totale	9.67 kW (704 g/h)		9.67 kW (704 g/h)
Categoria gas	I3+(28-30/37)	I3B/P(30)	I3B/P(50)
Modello n.	468972023		468782023
Tipo di gas	Butano	Propano	Butano, propano o loro miscele
Pressione del gas	28-30 mbar	37 mbar	30 mbar
Dimensioni iniettore (dia. mm)	Barbecue: 0,86 x 2 pz		Barbecue: 0,75 x 2 pz
Bruciatore ardente Dimensioni iniettore (dia. mm)	0,91 x 1 pcs		0,81 x 1 pcs
Paesi di destinazione	GB, FR, BE, ES, IT, PT, CZ, SK, CH, CY, GR, IE, LT, LU, LV, SI	DK, NO, NL, SE, FI, IS, CZ, IT, SK, BG, CY, EE, HR, HU, LT, LU, LV, MT, RO, SI, TR	AT, DE, CH, LU, SK

Acciaio inossidabile

Esistono molti tipi diversi (leghe) di materiali che vengono considerati come acciaio inossidabile.

Un elemento che tutti questi tipi diversi di materiali hanno in comune è che si potrebbero corrodere (ossidare), a seconda delle condizioni alle quali vengono sottoposti.

Questo vale anche per il tuo nuovo barbecue.

Per fare in modo che la tua griglia preservi il proprio aspetto e funzionalità per molti anni, segui attentamente i consigli elencati qui sotto.

1) Se la griglia si è inumidita o bagnata, assicurati di asciugarla utilizzando un panno per evitare che la superficie si corroda.

2) L'acciaio inossidabile potrebbe arrugginirsi in certe condizioni. Ad esempio, condizioni atmosferiche o elementi come il cloro o l'acqua salata, oppure in seguito all'utilizzo di strumenti di pulizia inadeguati, come ad esempio filo di ferro o lana d'acciaio. Potrebbe anche scolorirsi dovuto a temperature elevate, prodotti chimici o l'accumulo di grasso sulla superficie.

3) Per mantenere l'aspetto di alta qualità della tua griglia, è necessario lavarla con un detergente non abrasivo e acqua tiepida con sapone e asciugarla con un panno soffice dopo ogni utilizzo. La rimozione del grasso accumulato potrebbe richiedere l'utilizzo di un tampone di pulizia di plastica abrasivo. Utilizzare soltanto nella direzione della finitura della spazzola per evitare danni alla griglia. Non utilizzare le imbottiture nelle aree dove ci sono elementi grafici.

4) Oliare le parti interne del barbecue e delle griglie con olio da cucina.

Attenzione:

Per evitare di graffiare la superficie e fornire una base per la ruggine, non usare mai lana d'acciaio o simili durante la pulizia dell'acciaio inossidabile.

Durante la pulizia della griglia, spazzolare nella stessa direzione verso la quale l'acciaio inossidabile è stato pitturato - "verso il senso della fibra"

L'utilizzo di prodotti abrasivi potrebbe produrre graffi sulla superficie.

Lo stoccaggio del barbecue nelle vicinanze di una costa, una piscina o Spa potrebbe causare la corrosione (ossidazione) dello stesso.

Coprire il barbecue per evitare che si arrugginisca.

INSTALLATEUR/MONTEUR:

Laat deze handleiding bij de consument achter.

CONSUMENT:

Bewaar deze handleiding voor toekomstig gebruik.

Vragen:

Indien u vragen heeft gedurende de montage of het gebruik van dit apparaat, neem dan contact op met uw plaatselijke dealer.



Indien u gas ruikt:

1. Draai de gaskraan dicht.
2. Doof open vuur.
3. Open de deksel.
4. Als de stank aanhoudt, blijf op afstand van het apparaat en bel onmiddellijk uw gasleverancier of de plaatselijke brandweer.



1. Sla geen benzine of licht ontvlambare vloeistoffen in de buurt van dit of enig ander apparaat op.
2. Een niet aangesloten gasfles mag nooit in de buurt van dit of enig ander apparaat opgeslagen worden.



- Lees zorgvuldig en volg alle veiligheidsinstructies, montage handleiding en gebruiks- en onderhoudsinstructies op voordat u begint met monteren en koken.
- Sommige onderdelen kunnen scherpe randen hebben. Het gebruik van beschermende handschoenen wordt aanbevolen.

Vetbrand

- Een vetbrand uitmaken door de deksel te sluiten is niet mogelijk. Om redenen van veiligheid zijn de grillen goed geventileerd. .
- Vermijd gebruik van water in geval van een vetbrand, aangezien dit kan leiden tot persoonlijk letsel.
- Indien het apparaat niet regelmatig wordt schoongemaakt, kan een vetbrand ontstaan dat het product kan beschadigen. Let erop in geval van voorverhitten of verbranden van voedselresten dat geen vetbrand kan ontstaan. Volg de Algemene Reinigingsinstructies en Instructies voor het Reinigen van de Branders op om zo vetbrand te voorkomen. De beste manier om vetbrand te voorkomen is het regelmatig reinigen van het apparaat.
- Laat de barbecue niet onbeheerd achter tijdens het voorverwarmen of afbranden voedselresten op HI. Als de barbecue niet regelmatig wordt schoongemaakt, kan een vetbrand ontstaan wat het product kan beschadigen.



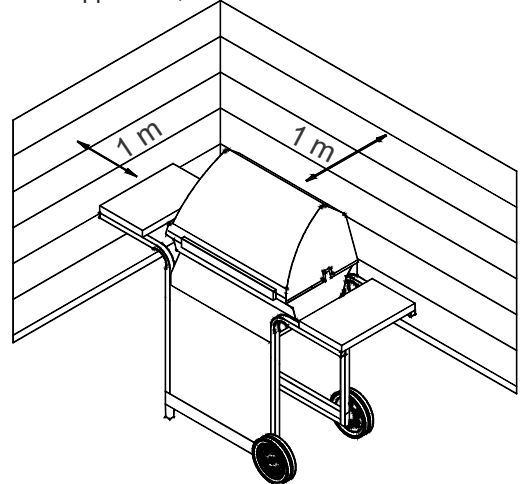
Voor Veilig Gebruik van Uw apparaat en om Ernstig Letsel te Voorkomen:

- **ALLEEN BUITEN TE GEBRUIKEN. GEBRUIK NOOIT BINNENSHUIS.**

Lees de instructies zorgvuldig voordat u het apparaat in gebruik neemt.

Volg altijd de onderstaande instructies op.

- Verplaats het apparaat nooit tijdens gebruik.
- Toegankelijke onderdelen kunnen erg warm worden.
- Houd jonge kinderen uit de buurt. Laat kinderen nooit het apparaat bedienen of in de omgeving van het apparaat spelen.
- Schakel de gastoevoer van de gasfles uit na gebruik.
- Houd dit apparaat ver van brandbare materialen tijdens gebruik.
- Blokkeer geen van de gaten aan de zijkanten of achterkant van het apparaat..
- Controleer de brander vlammen regelmatig.
- Blokkeer geen van de venturi buisjes van de brander.
- Gebruik het apparaat uitsluitend in een goed geventileerde ruimte. Gebruik **NOOIT** in een afgesloten ruimte zoals een carport, garage, veranda, overdekte patio, of onder een onder wat voor een overdekking dan ook.
- Gebruik nooit houtskool of keramische briketten in een gastoestel.
- Roosters **NOOIT** met aluminiumfolie of een ander materiaal afdekken. Dit blokkeert ventilatie van de brander en kan tot een mogelijk gevaarlijke situatie leiden met materiële schade en/of persoonlijk letsel als gevolg.
- **Gebruik het apparaat minstens 1 m van elke wand of oppervlak.** Zorg voor een afstand van minstens 3 m van objecten die vlam kunnen vatten of ontstekingsbronnen zoals waakvlammen van waterboilers, ingeschakelde elektrische apparaten, enz.



- Probeer **NOOIT** om een brander aan te steken met een gesloten dekstel. Een cumulatie van niet-ontbrand gas in een afgesloten apparaat is gevaarlijk.
- Schakel altijd gas van de gasfles uit en koppel de regelaar los voordat u de gasfles van diens specifieke positie verwijderd.
- Gebruik het apparaat nooit met een gasfles in een incorrecte positie.
- Maak geen aanpassingen aan het apparaat. Elke aanpassing of verandering is streng verboden. Afgedichte onderdelen mogen door de gebruiker niet aangepast worden. De injectoren niet demonteren.

Veiligheidstips

- Voordat u de gasfles opent, controleer of de regelaar goed vast zit.
- Wanneer het apparaat niet in gebruik is, schakel dan alle regelknoppen en gas uit.
- Gebruik barbecue gereedschap met lange stelen en ovenwanten om brandwonden en spatten te voorkomen. Gebruik beschermende handschoenen bij het hanteren van hete onderdelen.
- De maximale belasting voor een kookplaat en zijblad is 4,5kg. De kookpan heeft een minimum diameter van 200mm en een maximum diameter van 260 mm. **NB:** Uw barbecue kan mogelijk NIET zijn uitgerust met een KOOKPLAAT.
- De vetopvangbak (indien aanwezig) moet in het apparaat aangebracht worden en na gebruik geleegd worden. Verwijder de vetopvangbak alleen dan wanneer het apparaat volledig afgekoeld is.
- Wees voorzichtig wanneer u de deksel opent, aangezien hete stoom kan ontsnappen.
- Wees heel voorzichtig als er kinderen, bejaarden of huisdieren in de buurt zijn.
- Indien u ziet dat vet of een andere hete substantie uit het apparaat druipt op ventiel, slang of regelaar, schakel dan onmiddellijk het gas uit. Vind de oorzaak, corrigeer het, en inspecteer en reinig ventiel, slang en regelaar voordat u doorgaat. Voer een lekkagetest uit. .
- Sla geen voorwerpen of materialen op in de apparatenwagen behuizing wat de verbrandingsluchttoevoer naar de onderkant van zowel het controlepaneel of van de vuurhaard kan blokkeren.
- Ontkoppel of vervang de gasfles NOOIT binnen 3 meter van een open vuur of een andere ontstekingsbron.

Plaatsen Gasfles

Cilinders die in het apparaat worden geplaatst, hebben een maximale diameter van 340 mm en een maximale hoogte, inclusief regelaar, van 580 mm. Grotere cilinders mogen alleen onder de zijplank of achter de barbecue worden geplaatst. Cilinders die op de grond worden geplaatst, mogen niet onder de kookplaat worden geplaatst.

Vereisten Regelaar

Een regelaar moet met dit apparaat gebruikt worden. Gebruik uitsluitend de gasregelaar die met uw barbecue geleverd wordt. Als deze regelaar niet geleverd is, dan mag alleen een regelaar gebruikt worden die is gecertificeerd volgens EN126129 (Stroomsnelheid maximaal 1,5kg per uur) en is goedgekeurd voor uw land en gas zoals gespecificeerd in Technische Gegevens.

Slang Vereisten

Gebruik uitsluitend een goedgekeurde slang die voldoet aan de betreffende EN-standaard en die niet langer is dan 1,5m. Voor Finland, de lengte van de slang mag niet langer zijn dan 1,2m. Voor elk gebruik, dient u te controleren dat de slangen niet gebroken of versleten zijn. Zorg ervoor dat de slang niet geknikt is. Zorg ervoor dat de aangesloten slang niet in aanraking komt met warme oppervlakken. Vervang beschadigde slangen voordat u het apparaat gebruikt. Vervang de slang overeenkomstig nationale voorschriften.

Aansteker aansteken

Leun niet over het apparaat bij aansteken.

1. Draai de gasbrander regelkleppen aan tot ○ (uit).
2. Open de deksel gedurende het aansteken en opnieuw aansteken.
3. Draai gas AAN op de gasfles.
4. Om aan te steken, draai de branderknop naar 🔥 HOOG en houdt deze ingedrukt totdat de brander is aangestoken.
5. Als het aansteken NIET binnen 5 seconden gebeurt, draai aan de branderknoppen ○, wacht 5 minuten en herhaal de aansteekprocedure.
6. Om de overige branders aan te steken, herhaal stappen 4 en 5.

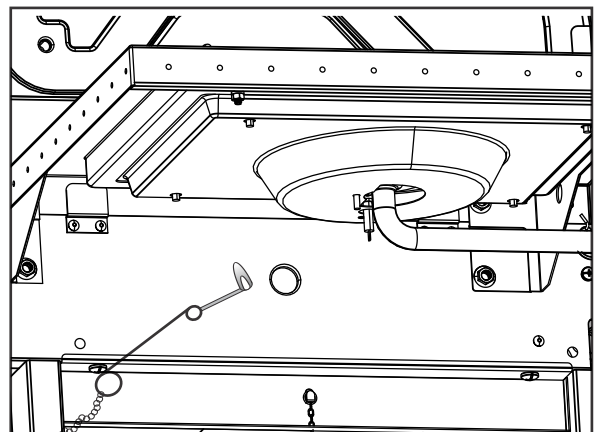
	WAARSCHUWING	
Schakel de bedieningselementen en de gasfles uit als ze niet worden gebruikt. Zorg ervoor dat de aangesloten slang geen warme oppervlakken raakt.		

	WAARSCHUWING	
Als het aansteken NIET binnen 5 seconden gebeurt, draai de branderknoppen ○ uit, wacht 5 minuten en herhaal de aansteekprocedure. Als de brander niet gaat branden met de klep open, dan kan gas uit de brander lekken en ontbranden wat letsel kan veroorzaken.		

Aansteken met Lucifers

• Leun niet over het apparaat bij aansteken.

1. Draai het gasbrander controleklep naar ○ (uit).
2. Open deksel gedurende aansteken en opnieuw aansteken.
3. Draai gas op de gasfles AAN.
4. Plaats lucifer in luciferhouder (bevindt zich aan de zijkant van de barbecue). Steek lucifer aan en steek de branderopening aan door de lucifer aansteekopening aan de zijkant van de barbecue. Duw de branderknop onmiddellijk in en draai deze naar 🔥 HOOG. Zorg ervoor dat de branders aan blijven.
5. Steek de aangrenzende branders in volgorde aan door op de knoppen te duwen en te draaien naar 🔥 HOOG.



Schroeiende brander Ontstekingsverlichting

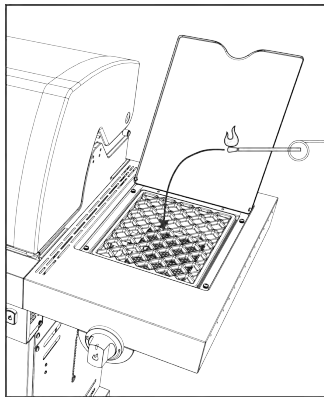
Leun niet over de barbecue tijdens het aansteken.

1. draai de regelkleppen van de gasbrander op UIT.
2. Open het deksel tijdens het aansteken of opnieuw aansteken.
3. Zet het gas AAN bij de LP-cilinder.
4. Draai de Schroeiende brander-knop naar de HIGH-positie, houd de knop ELEKTRONISCHE ONTSTEKER ingedrukt.
5. Als Schroeiende brander NIET binnen 5 seconden aangaat, draai de knop dan naar OFF, wacht 5 minuten en herhaal de ontstekingsprocedure.

Schroeiende brander lucifer verlichting

Leun niet over de barbecue tijdens het aansteken.

1. draai de regelkleppen van de gasbrander op UIT.
2. Open het deksel tijdens het aansteken of opnieuw aansteken.
3. Zet het gas AAN bij de LP-cilinder.
4. plaats een aangestoken lucifer in de buurt van de brander. Draai de Schroeiende brander-knop onmiddellijk naar de HIGH-positie. Zorg ervoor dat de brander aangaat en blijft branden.



Lektest Kleppen, Slang en Regelaar

Leak test before first use, at least once a year, and every time the cylinder is changed or disconnected.

1. Draai alle bedieningsknoppen van het apparaat naar O.
2. Zorg ervoor dat de regelaar nauw verbonden is met de gasfles.
3. Draai gas aan. Indien u een ruisend geluid hoort, gas onmiddellijk uitdraaien. Er is dan een substantieel lek bij de verbinding. Corrigeer dit voordat u doorgaat.
4. Bestrijk met een zeepoplossing (mengsel van half zeep en half water) de slangverbindingen en de plaatsen op de slangverbindingen.
5. Als luchtbellen verschijnen, is er een lek. Draai het gas van de gasfles onmiddellijk uit en controleer de afsluitingen van de verbindingen. Indien het lek niet verholpen kan worden, probeer het in geen geval zelf te repareren. Bel voor vervangende onderdelen.
6. Draai altijd het gas van de gasfles uit nadat een lekttest is uitgevoerd.



WAARSCHUWING



PAJEK OPOZORILO!

SPINNEN EN SPINNENWEBBEN IN DE BRANDER



Wanneer uw barbecue moeizaam aangaat of de vlam zwak is, controleer en reinig de venturi buisjes en branders.

Spinnen en kleine insecten staan erom bekend dat zij "flashback" problemen veroorzaken doordat zij nesten bouwen en eieren leggen in de venturi buisjes en branders van de barbecue, waardoor de toevoer van gas wordt belemmerd. Het gecumuleerd gas kan achter het controlepaneel ontvlammen. Deze flashback kan uw barbecue beschadigen en letsel veroorzaken. Om flashbacks te voorkomen en voor een goede prestatie zorg te dragen, dienen brander en de venturi buisjes verwijderd en schoongemaakt te worden wanneer de barbecue geruime tijd ongebruikt is.

ALS APPARAAT NIET AANGESTOKEN KAN WORDEN

- Controleer of gas in de gasfles aangesloten is.
- Zorg ervoor dat gas in de gasfles is.
- Maakt de ontsteker een vonkend Geluid?
 - Indien ja, controleer de brander voor vonken.
 - Indien er geen vonk is, zoek voor beschadigde of losse draden.
- Indien de draden in orde zijn, controleer gescheurde of gebroken elektrode, en vervang indien nodig.
- Wanneer draden of elektrodes met kookresten bedekt zijn, reinig dan indien nodig de elektrode met een alcoholdoekje.
- Indien nodig, vervang draden
- Indien geen geluid, controleer dan de batterij.
- Zorg ervoor dat de batterij correct geïnstalleerd is.
- Controleer of er losse verbindingen bij de module of schakelaar zijn.
- Indien de aansteker weigert te werken, gebruik dan een lucifer.

Reinigen van de Brander

Volg deze instructies op voor het reinigen en/of vervangen van onderdelen van de brander of indien u problemen heeft met het aansteken van het apparaat.

1. Draai gas uit van de bedieningsknoppen en de gasfles
2. Verwijder kookroosters en vlamdempers.
3. Verwijder elektrode van brander.
4. Verwijder slangen en branders.

NB: Verwijdering / Ontkoppeling methode zal afhangen van de brander configuratie. Zie verschillende configuraties in de onderstaande afbeeldingen.

5. Til elke brander voorzichtig op en weg van de klepopeningen.

A. Buig een stevige metalen draad (een lichtgewicht klerhanger werkt goed) in de vorm van een kleine haak. Voer de haak verschillende keren door elke brander.



B. Gebruik een smalle flessenborstel met een flexibel handvat (gebruik geen staalborstel), voer de borstel verschillende malen door elke brander.

C. Draag een veiligheidsbril: Gebruik een luchtslang om lucht in branderbuis en uit branderopeningen te persen. Controleer iedere opening om er zeker van te zijn dat lucht uit elk gat komt.

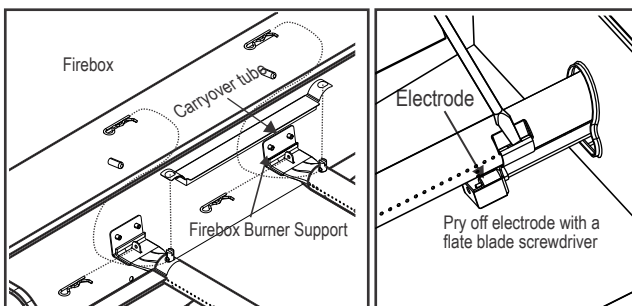
6. Borstel de gehele buitenkant van brander om voedselresten en vuil te verwijderen.
7. Reinig geblokkeerde openingen met een stevige metalen draad zoals een uitgebogen paperclip.
8. Controleer brander op schade; ten gevolge van dagelijks gebruik en corrosie kunnen sommige gaten vergroot zijn. Indien grote scheuren of gaten worden gevonden, vervang brander.

HEEL BELANGRIJK: Branderslangen moeten klepopeningen opnieuw inschakelen. Zie illustratie aan de rechterkant.

Juiste verbinding van brander naar klep



9. Bevestig elektrode aan brander
10. Vervang branders voorzichtig.
11. Bevestig branders aan beugels op vuurhaard.
12. Plaats slangen en verbind met branders. Vervang vlamdempers en kookroosters.
13. Voor het opnieuw gebruiken vna de barbecue, voer een "Lektest" en een "Brander Vlam Controle Test" uit.



Opslaan van uw Apparaat

- Reinigen kookroosters.
- Opslaan op een droge plek.
- Wanneer een gasfles is aangesloten op het apparaat, dan buiten opslaan in een goed geventileerde ruimte en buiten het bereik van kinderen houden. Dek het apparaat af indien buiten opgeslagen.
- Sla het apparaat ALLEEN DAN binnenshuis op indien de gasfles is afgesloten en losgekoppeld, alsmede verwijderd van het apparaat en buiten opgeslagen.
- Wanneer het apparaat uit de opslag wordt gehaald, dient het op brander obstructies gecontroleerd te worden

Algemene reiniging van het apparaat

Deze grill moet regelmatig worden schoongemaakt, omdat grillbranden kunnen ontstaan wanneer vet en voedselresten zich op de bodem van de grill verzamelen. Verwijder na elk gebruik alle achtergebleven voedseldeeltjes van het grillrooster en binnenkant van de grill met een Char-Broil Cool-Clean Brush. Daarna kunt u Char-Broil Roosterreiniger royaal op het rooster spuiten, 10 minuten laten inwerken en afnemen met een natte doek of borstel. Reinig de grill nadat de grill is afgekoeld.

- Verwar bruine of zwarte vetophopingen niet en rook voor verf. De binnenkant van gasbarbecues is in de fabriek niet geveerd (en mag nooit worden geveerd). Gebruik een sterke oplossing van afwasmiddel en water of gebruik een apparaatreiniger met schrobborstel aan de binnenkant van het apparaatdeksel en de onderkant. Spoel af en laat volledig aan de lucht drogen. Gebruik geen bijtend apparaat / ovenreiniger op geveerde oppervlakken.

- Plastic onderdelen: wassen met warm zeepsop en droog wrijven. Gebruik geen schuurmiddelen, ontvetters of een geconcentreerde apparaatreiniger op kunststof onderdelen. Dit kan schade aan en uitval van onderdelen veroorzaken.

- Porseleinen oppervlakken: vanwege de glasachtige samenstelling kunnen de meeste resten worden weggeveegd met een oplossing van zuiveringszout / water, glasreiniger of Char-Broil roosterreiniger. Gebruik een niet-schurend schuurpoeder voor hardnekkige vlekken.

- Geveerde oppervlakken: wassen met een mild schoonmaakmiddel of schoonmaakmiddel en warm zeepachtig water of Char-Broil Grill Cleaner. Veeg droog met een zachte doek niet-schurende doek.

- Kookoppervlakken: zorg ervoor dat er geen losse haren bij het koken achterblijven oppervlakken voordat u gaat grillen. Terwijl de grill heet is, wordt het aanbevolen om kookoppervlakken alleen te reinigen met de Char-Broil Hot-Clean vervangende kop (op de Char-Broil Cool-Clean Premium Brush).

◆◆◆ CLEAN-instelling

Uw grill is uitgerust met een innovatieve CLEAN-instelling die dit mogelijk maakt probleemloze grillreiniging. De hoge warmte die door de branders wordt gegenereerd zal al het resterende voedselresten in as veranderen. Volg deze stappen:

- Nadat u klaar bent met grillen, zet u alle hoofdbranders op CLEAN en laat u ze ongeveer 12 - 15 minuten staan
- Zet na ongeveer 12 - 15 minuten alle hoofdbranders op OFF en laat de grill afkoelen
- Zodra de grill is afgekoeld, gebruikt u een Char-Broil Cool-Clean Brush om eventueel achtergebleven vuil te verwijderen en de as weg te gooien
- Gebruik voor extra glanzende resultaten de Char-Broil Roosterreiniger als laatste stap. Royaal op het rooster sproeien, 10 minuten laten inwerken en met een natte doek of borstel afnemen.

TECHNISCHE GEGEVENS CHAR-BROIL, LLC				
Apparaatnaam	Gasbarbecue/Gas Grill			
Totale nominale warmtebelasting	9.67 kW (704 g/h)		9.67 kW (704 g/h)	
Gas Categorie	I3+(28-30/37)	I3B/P(30)	I3B/P(50)	
Model No.	468972023		468782023	
Gas Type	Butaan	Propaan	Butaan, Propaan of een menging van de twee	Butano, propano o loro miscele
Gasdruk	28-30 mbar	37 mbar	30 mbar	50 mbar
Injector Grootte (Diameter in mm)	Hoofdbrander : 0,86 x 2 st		Hoofdbrander: 0,86 x 2 st	Hoofdbrander: 0,75 x 2 st
Schroeiende brander Injector Grootte (Diameter in mm)	0,91 x 1 pcs		0,91 x 1 pcs	0,81 x 1 pcs
Bestemmingslanden	GB, FR, BE, ES, IT, PT, CZ, SK, CH, CY, GR, IE, LT, LU, LV, SI	DK, NO, NL, SE, FI, IS, CZ, IT, SK, BG, CY, EE, HR, HU, LT, LU, LV, MT, RO, SI, TR		AT, DE, CH, LU, SK

Roestvrij Staal

Er zijn veel verschillende soorten materialen (legeringen) die als roestvrij staal beschouwd worden.

Een gemeenschappelijk kenmerk van deze verschillende soorten is dat zij kunnen roesten (corroderen of oxideren), afhankelijk van de omstandigheden.

Dit geldt ook voor uw nieuwe barbecue.

Om te zorgen dat uw barbecue zijn uiterlijk en functionaliteit voor vele jaren behoudt, dient u de onderstaande adviezen te volgen.

- 1) Als de barbecue nat of vochtig is geworden, maak het droog met een doek om het oppervlakte roest te voorkomen.
- 2) Roestvrij staal kan onder bepaalde omstandigheden gaan roesten. Roest kan worden veroorzaakt door omgevingsfactoren, zoals chloor of zout water, of gebruik van ongeschikte schoonmaakmiddelen zoals staalborstel of staalwol. Het kan ook verkleuren als gevolg van hitte, chemicaliën, of vetopbouw.
- 3) Om het hoogwaardig uiterlijk van uw apparaat te behouden, reinig na elk gebruik met een mild schoonmaakmiddel en warm zeepwater. Droog met een zacht doekje. Voor het verwijderen van ingebakken vet kan gebruik van een schuursponsje nodig zijn. Gebruik alleen in de richting van geborstelde afwerking om schade te voorkomen. Gebruik geen schuursponsjes op plaatsen met een afbeelding.
- 4) Vet de interne onderdelen van de barbecue en de roosters in met bakolie.

NB:

Om krassen op het oppervlak en een basis voor roesten te voorkomen, gebruik nooit staalwol of iets dergelijks bij het reinigen van roestvrij staal.

Bij het schoonmaken, werk in dezelfde richting als het roestvrij staal is geborsteld - "in de vezelrichting".

Reinigen met schuurmiddelen kan krassen veroorzaken.

Het opslaan van de barbecue in de buurt van een kust, zwembad of spa zal roesten (corroderen of oxideren) van de barbecue veroorzaken.

Dek uw barbecue af om roesten te voorkomen.

INSTALLATÖR/MONTÖR:

Lämna denna bruksanvisning till konsumenten.

KONSUMENT:

Spara denna bruksanvisning för framtida referens.

Frågor:

Kontakta din lokala återförsäljare om du har några frågor om montering eller användning av anordningen.



FARA



Om du känner lukten av gas:

1. Stäng av gasen till anordningen.
2. Släck eventuella öppna lågor.
3. Öppna locket.
4. Om lukten kvarstår bör du omedelbart ringa din gasleverantör eller brandkåren och hålla dig på avstånd från anordningen.



VARNING



1. Förvara inte och använd inte bensin eller andra brandfarliga vätskor i närheten av denna eller någon liknande anordning.
2. En gasolflaska som inte är ansluten för användning får inte förvaras i närheten av denna eller någon liknande anordning.



IAKTTA FÖRSIKTIGHET



- Läs och följ alla säkerhetsanvisningar, monteringsinstruktioner och bruks- och underhållsanvisningar innan du monterar grillen och börjar grilla.
- Vissa delar kan ha vassa kanter. Du rekommenderas att använda skyddshandskar.

Fettbränder

- Det går inte att släcka fettbränder genom att stänga locket. Grillar är välventilerade av säkerhetsskäl.
- Använd inte vatten på en fettbrand, då det kan leda till personskador. Om en ihållande fettbrand utvecklas ska du vrida av vreden och gasolflaskan.
- Om anordningen inte har rengjorts regelbundet kan fettbränder uppstå, vilket kan skada produkten. Var uppmärksam vid förvärmning eller vid bortbränning av matrester för att säkerställa att en fettbrand inte utvecklas. Följ anvisningarna angående allmän rengöring av anordningen och rengöring av brännaren för att förhindra fettbränder. Fettbränder förebyggs bäst genom regelbunden rengöring av anordningen.
- Lämna inte grillen obevakad under förvärmning eller bortbränning av matrester på HI. Om anordningen inte har rengjorts regelbundet kan fettbränder uppstå, vilket kan skada produkten.



VARNING

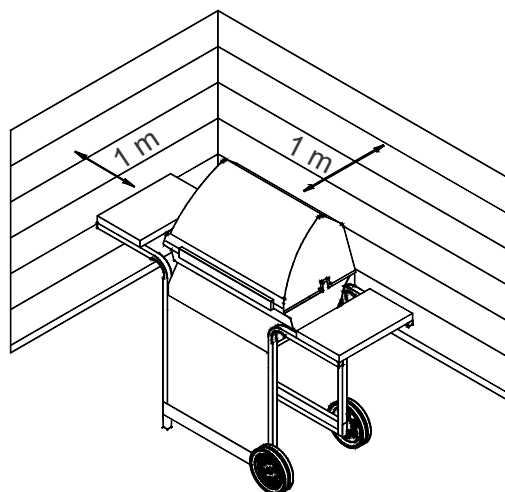


För säker användning av anordningen och för att undvika allvarliga skador:

• **ANVÄND ENDAST UTOMHUS. ANVÄND ALDRIG INOMHUS.**
Läs anvisningarna innan du använder grillen.

Följ alltid dessa anvisningar.

- Flytta inte grillen när den används.
- Åtkomliga delar kan bli mycket varma. Håll små barn borta från grillen. Låt inte barn använda grillen eller leka i närheten av den.
- Stäng av gastillförseln från gasolflaskan efter användning.
- Denna anordning måste hållas borta från brandfarliga material under användning.
- Blockera inte hål på grillens sidor eller baksida.
- Håll brännarlågorna under uppsikt.
- Blockera inte brännarens venturirör.
- Använd endast på välventilerade platser. Använd **ALDRIG** i slutna utrymmen såsom carport, garage, veranda, inglasad altan eller under någon takförsedd struktur av något slag.
- Använd inte träkol eller keramiska briketter i en gasolgrill.
- **INTE** över gallret med aluminiumfolie eller något annat material. Det blockerar brännarens ventilation och skapar ett potentiellt farligt tillstånd, som kan leda till skador på egendom och/eller personskador.
- Använd grillen på ett avstånd på minst 1 m från vägg eller annan yta.
- Håll ett säkerhetsavstånd på 3 m från föremål som kan fatta eld eller antändningskällor, såsom kontrollampor på varmvattenberedare, igångsatta elektriska apparater o.s.v.



- Försök **ALDRIG** att tända brännaren med locket stängt. En ansamling av ej antänd gas inuti en sluten anordning är farlig.
- Stäng alltid av gasen på gasolflaskan och koppla från regulatören innan du flyttar gasolflaskan från den angivna användningsplatsen.
- Använd aldrig anordningen om gasolflaskan inte är på rätt plats enligt vad som har specificerats.
- Modifiera inte anordningen. Alla typer av modifieringar är strängt förbjudna. Slutna delar får inte manipuleras av användaren. Montera inte isär injektorena.

Säkerhetstips

- Kontrollera regulatorns täthet innan du öppnar gasventilen.
- Stäng av alla kontrollvred och gasen när anordningen inte används.
- Använd grillredskap med långt skaft och grytvantar för att undvika brännskador och stänk. Använd skyddshandskar när du hanterar varma komponenter.
- Maximal belastning på värmeplattan, om sådan finns, och sidohyllan är 4,5 kg. Korkärl med en minsta diameter på 200 mm och en maximal diameter på 260 mm. **OBS!** Det kan hända att din grill INTE är utrustad med en värmeplatta!
- Droppskålen (om sådan finns) måste föras in i anordningen och tömmas efter varje användning. Ta inte bort droppskålen förrän anordningen har svalnat helt och hållet.
- Var mycket försiktig när du öppnar locket, då het ånga kan uppstå.
- Var mycket försiktig när barn, äldre personer eller husdjur är i närheten.
- Om du upptäcker att fett eller något annat hett droppar från anordningen ner på ventilen, slangen eller regulatorn måste du omedelbart stänga av gastillförseln. Fastställ orsaken, åtgärda problemet och rengör och inspektera ventilen, slangen och regulatorn innan du fortsätter.
- Genomför ett läckagetest.
- Förvara inte föremål eller material inuti anordningens hölje, som skulle blockera förbränningsluftens flöde till undersidan av antingen kontrollpanelen eller brännarhuset.
- Koppla INTE från eller byt gasbehållare på ett avstånd kortare än 3 m från en öppen låga eller annan antändningskälla.

Gasflaskans placering

Cylindrar placerade i apparaten ska ha en maximal diameter på 340 mm och en maximal höjd, inklusive regulator, på 580 mm. Större cylindrar får endast placeras under sidohyllan eller bakom grillen. Cylindrar placerade på marken får inte placeras under värmeplattan.

Krav för regulator

En regulator måste användas med denna anordning. Använd endast den gasregulator som medföljer grillen. Om det inte medföljer någon regulator ska du endast använda en regulator som certifierats enligt EN16129 (flödehastighet på max. 1,5 kg/tim.) och som är godkänd för ditt land och för den gas som specificeras i avsnittet Tekniska data.

Krav för slang

Använd endast en godkänd slang som certifierats enligt lämplig EN-standard och som inte är längre än 1,5 m. För Finland ska slangen inte vara längre än 1,2 m. Kontrollera att slangen inte är skadad eller utsliten. Se till att slangen inte har snott sig. Se till att slangen inte vidrör några varma ytor när den är ansluten. Byt ut skadade slangar innan du använder anordningen. Byt ut slangen i enlighet med nationella krav.

Tända grillen

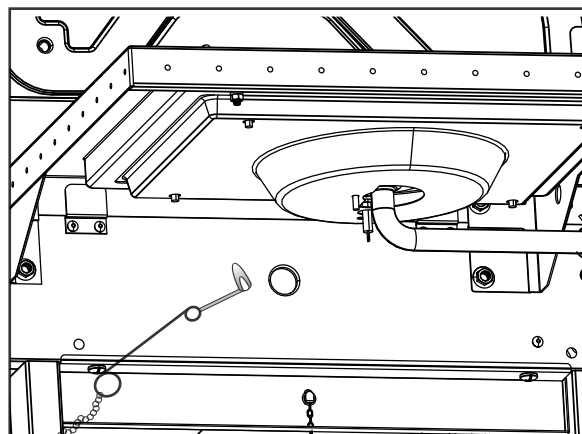
- **Luta dig inte över grillen när du tänder den.**
1. Vrid gasbrännarens kontrollvred till ○ (av).
 2. Öppna locket när du tänder grillen.
 3. Sätt PÅ gasen på LP-flaskan.
 4. Tänd genom att trycka in och vrida brännarens vred till ♣ HIGH. Tryck omedelbart in och håll inne knappen ELECTRONIC IGNITOR tills brännaren tänds.
 5. Om grillen INTE tänds inom fem sekunder vrider du av brännarens kontrollvred ○, väntar fem minuter och upprepar sedan tändningsproceduren.
 6. Upprepa steg 4 och 5 när du vill tända andra huvudbrännare.

	VARNING	
Stäng av reglage och gasflaska när de inte används. Se till att när ansluten slang inte vidrör några varma ytor.		

	IAKTTA FÖRSIKTIGHET	
Om grillen INTE tänds inom fem sekunder vrider du av brännarens kontrollvred ○, väntar fem minuter och upprepar sedan tändningsproceduren. Om brännaren inte tänds med ventilen öppen kommer gas att fortsätta flöda ur brännaren och kan oavsiktligt antändas, vilket kan orsaka skador.		

Tända med tändstickor

- **Luta dig inte över grillen när du tänder den.**
1. Vrid gasbrännarens kontrollvred till ○ (av).
 2. Öppna locket när du tänder grillen.
 3. Sätt PÅ gasen på LP-flaskan.
 4. Placera tändstickan i tändstickshållaren (som hänger från sidopanelen på grillen). Tänd tändstickan. Tänd sedan brännaren genom att föra in tändstickan genom hålet på sidan av grillen. Tryck omedelbart in och vrid på brännarens kontrollvred till positionen ♣ HIGH. Se till att brännaren tänds och fortsätter att vara tänd.
 5. Tänd angränsande brännare i turordning genom att trycka in och vrida på vreden till positionen ♣ HIGH.



Bryna Brännare Tändbelysning

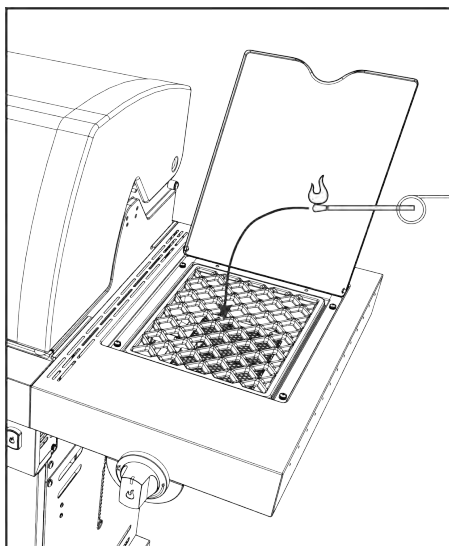
Luta dig inte över grillen när du tänder.

1. Vrid gasventilerna till OFF.
2. Öppna locket under belysning eller återbelysning.
3. Slå på gasen på LP-cylindern.
4. Vrid brytarknappen till HÖGT läge, tryck och håll in knappen ELECTRONIC TÄNDARE.
5. Om Bryna Brännare INTE tänds inom 5 sekunder, vrid ratten till OFF, vänta 5 minuter och upprepa sedan belysningsproceduren.

Bryna Brännare tändsticka lyse

Luta dig inte över grillen när du tänder.

1. Vrid gasventilerna till OFF.
2. Öppna locket under belysning eller återbelysning.
3. Slå på gasen på LP-cylindern.
4. Placera tändstickan nära brännaren. Vrid Bryna Brännare-ratten omedelbart till HÖGT läge. Se till att brännaren tänds och förblir tänd.





IAKTTA FÖRSIKTIGHET



VARNING FÖR SPINDLAR!

SPINDLAR OCH SPINDELNÄT I BRÄNNAREN



Om grillen är svår att tända eller om lågan är svag kontrollerar du och rengör venturirören och brännarna.

Spindlar eller små insekter skapar ofta "bakeldsproblem" genom att bygga bon och lägga ägg i grillens venturirör eller brännare, vilket kan hindra gasflödet. Den ansamlade gasen kan antändas bakom kontrollpanelen. Denna bakeld kan skada grillen och orsaka skador. Förebygg bakeld och säkerställ god prestanda genom att ta bort och rengör brännaren och venturirören när apparaten har stått oanvänd under en längre tid.

OM ANORDNINGEN INTE TÄNDS

- Se till att gasen är påslagen på gasolflaskan.
- Se till att det finns tillräckligt med gas i gasolflaskan.
- Hör du ett gnistljud från tändaren?
 - Om du hör det kontrollerar du om det finns gnistor vid brännaren.
 - Om du inte ser några gnistor letar du efter skadade eller lösa ledningar.
- Om ledningarna är ok letar du efter spruckna eller trasiga elektroder och byter ut dessa om så krävs.
- Om ledningar eller elektroder är täckta av rester från matlagningen rengör du elektrodspetsen med alkohol om så krävs.
- Om så krävs byter du ut ledningarna.
- Om du inte hör något gnistljud kontrollerar du batteriet.
- Se till att batteriet har är ordentligt isatt.
- Leta efter lösa ledningar vid modulen och brytaren.
- Om tändaren fortfarande inte fungerar använder du en tändsticka istället.

Läckagetest för ventiler, slang och regulator

Genomför ett läckagetest före första användning, minst en gång per år och varje gång gasolflaskan byts ut eller kopplas från.

1. Vrid alla kontrollvred till ○.
2. Se till att regulatorn är ordentligt ansluten till gasolflaskan.
3. Sätt på gasen. Stäng omedelbart av gasen om du hör ett susande ljud tryck. Det betyder att anslutningen läcker. Åtgärda detta innan du fortsätter.
4. Pensla med en tvällösning (en blandning av hälften tvål, hälften vatten) på slangens anslutningar.
5. Om det uppstår bubblor finns det en läcka. Stäng omedelbart av gasen på gasolflaskan och kontrollera att anslutningarna är täta. Om läckan inte kan åtgärdas ska du inte försöka att reparera skadan. Ring efter reservdelar.
6. Stäng alltid av gasen på gasolflaskan när du har utfört ett läckagetest.

Rengöra brännaren

Följ dess anvisningar för att rengöra och/eller byta ut delar av brännaren eller om du har problem med att tända grillen.

1. **Stäng av gasen med kontrollvreden och på LP-flaskan.**
2. Ta bort grillgaller och värmetält.
3. Ta bort överföringsrör och komponenter som håller fast brännare.
4. Koppla från elektrod från brännare.

OBS! Metod för avlägsnande/frånkoppling beror på brännarkonfiguration. Se olika konfigurationer i illustrationerna nedan.

5. Lyft försiktigt upp brännarna bort från ventilöppningarna. Vi föreslår tre olika sätt för att rengöra brännarrören. Använd det sätt som du tycker är enklast.

A. Böj en styv ståltråd (en lätt galge fungerar bra) till en liten krok. Kör kroken genom varje brännarrör flera gånger.



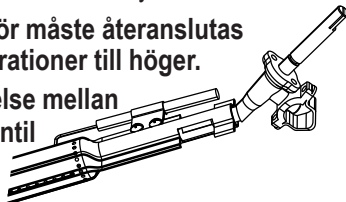
B. Använd en smal flaskborste med ett böjligt skaft (använd inte en borste i mässing). Kör borsten genom varje brännarrör flera gånger.

C. Använd skyddsglasögon: Använd en luftslang för att blåsa in luft i brännarröret och ut genom brännarportharna. Kontrollera varje port för att säkerställa att luften kommer ut genom alla hål.

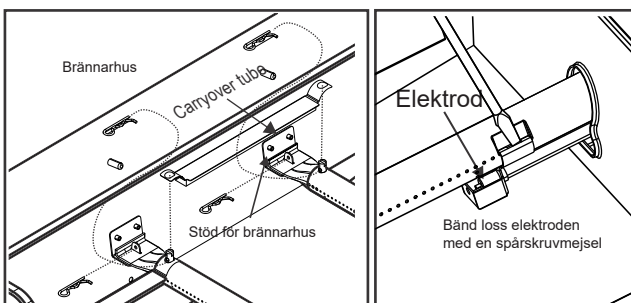
6. Borsta hela den yttre ytan på brännaren med en stålborste för att få bort matrester och smuts.
7. Rengör eventuella blockerade portar med en styv ståltråd, som till exempel ett öppnat gem.
8. Kontrollera att brännaren inte är skadad. På grund av normalt slitage och korrosion kan vissa hål förstöras. Om du upptäcker några stora sprickor eller hål byter du ut brännaren.

MYCKET VIKTIGT: Brännarrör måste återanslutas till ventilöppningar. Se illustrationer till höger.

Korrekt förbindelse mellan brännare och ventil



9. Fäst elektrod till brännare.
10. Byt försiktigt ut brännare.
11. Montera brännare till fästena i brännarhuset.
12. Sätt tillbaka överföringsrör och fäst till brännare. Sätt tillbaka värmetält och grillgaller.
13. Innan du använder grillen igen bör du genomföra ett "läckagetest" och en "kontroll av brännarlåga".



Förvara grillen

- Rengör grillgaller.
- Förvara på en torr plats.
- När gasflaskan är ansluten till grillen ska den förvaras utomhus på en välventilerad plats, utom räckhåll för barn.
- Täck över grillen om den förvaras utomhus.
- Förvara grillen inomhus ENDAST om gasflaskan är avstängd och fränkopplad, har avlägsnats från grillen och förvaras utomhus.
- När du tar fram grillen igen kontrollerar du att inga brännare är igentäpta.

Allmän rengöring av apparaten

Regelbunden rengöring av denna grill är nödvändig, eftersom grillbränder kan uppstå när fett och matrester samlas i grillens botten. Ta bort eventuella kvarvarande livsmedelspartiklar från kokgallret och insidan av grillen efter varje användning med en Char-Broil Cool-Clean-borste. I efterhand

Du kan spraya Char-Broil Grate Cleaner generöst på gallret, låta det fungera i 10 minuter och torka av med en våt trasa eller borste. utföra grillrengöring efter att grillen har svalnat.

- Förväxla inte brunt eller svart ansamling av fett och rök för färg. Inredning av gasgrillar målas inte på fabriken (och bör aldrig målas). Applicera en stark lösning av tvättmedel och vatten eller använd en rengöringsmedel med skrubborste på insidan av apparatens lock och botten. Skölj och låt den lufttorka helt. Applicera inte frätande apparater / ugnrensare på målade ytor.
- Plastdelar: Tvätta med varmt tvålsvatten och torka av dem. Använd inte slipande rengöringsmedel, avfettningsmedel eller ett koncentrerat rengöringsmedel på plastdelar. Skador på och fel på delar kan uppstå.
- Porslinsytor: På grund av glasliknande komposition kan de flesta rester torkas bort med natron / vattenlösning, glasrengöringsmedel eller Char-Broil Grate Cleaner. Använd icke-slipande skurpulver för envisa fläckar.
- Målade ytor: Tvätta med mildt rengöringsmedel eller rengöringsmedel och varmt tvålsvatten eller Char-Broil Grill Cleaner. Torka av med en mjuk icke-slipande trasa.
- Tillagningsytor: Se till att inga lösa borstar finns kvar på matlagningsytorna före grillning. Medan grillen är varm rekommenderas det bara att rengöra matlagningsytorna med Char-Broil Hot-Clean ersättningshuvudet (på Char-Broil Cool-Clean Premium-borsten).

RENA inställning

Din grill är utrustad med en innovativ CLEAN-inställning som möjliggör problemfri grillrengöring. Den höga värmen som genereras från brännarna kommer att göra allt återstående matrester till aska.

Följ dessa steg:

- När du är klar med att grilla, justera alla huvudbrännare till CLEAN-inställningen och stanna kvar i cirka 12 - 15 minuter
- Ställ in alla huvudbrännare på OFF efter cirka 12 - 15 minuter och låt grillen svalna
- När grillen är sval, använd en Char-Broil Cool-Clean-borste för att ta bort kvarvarande skräp och kassera askan
- För att få extra glänsande resultat, använd Char-Broil Grate Cleaner som ett sista steg. Spraya generöst på gallret, låt det fungera i 10 minuter och torka av med en våt trasa eller borste.

TEKNISKA DATA
CHAR-BROIL, LLC

Anordningens namn	Gasolgrill			
Total nominell värmeförsel	9.67 kW (704 g/h)		9.67 kW (704 g/h)	
Gaskategori	I3+(28-30/37)	I3B/P(30)	I3B/P(50)	
Modellnr	468972023		468782023	
Gastyp	Butan	Propan	Butan, propan och blandningar av dessa	Butan, propan och blandningar av dessa
Gasträck	28–30 mbar	37 mbar	30 mbar	50 mbar
Injektorstorlek (dia. i mm)	Grill: 0,86 x 2 st		Grill: 0,86 x 2 st	Grill: 0,75 x 2 st
Bryna Brännare Injektorstorlek (dia. i mm)	0,91 x 1 pcs		0,91 x 1 pcs	0,81 x 1 pcs
Destinationer	GB, FR, BE, ES, IT, PT, CZ, SK, CH, CY, GR, IE, LT, LU, LV, SI	DK, NO, NL, SE, FI, IS, CZ, IT, SK, BG, CY, EE, HR, HU, LT, LU, LV, MT, RO, SI, TR		AT, DE, CH, LU, SK

Rostfritt stål

Det finns många typer (legeringar) av material som anses vara rostfritt stål.

En egenskap som de olika typerna har gemensamt är att de kan korrodera (oxidera), beroende på vilka förhållanden de utsätts för.

Detta gäller även din nya grill.

Följ rekommendationerna nedan för att säkerställa att din grill bibehåller utseendet och funktionaliteten i många år.

- 1) Om grillen har blivit blöt eller fuktig måste du torka av den med en trasa för att förhindra att ytorna korroderar.
- 2) Rostfritt stål kan rosta under vissa förhållanden. Detta kan orsakas av förhållanden där grillen utsätts för klorin eller saltvatten, eller vid användning av fel rengöringsverktyg som till exempel stålull. Grillen kan också missfärgas på grund av värme, kemikalier eller ansamling av fett.
- 3) Bibehåll grillens högkvalitativa utseende genom att, efter varje användning, tvätta ytor av rostfritt stål med ett mildt rengöringsmedel och varmt tvålwater. Torka sedan av med en mjuk trasa. Fettavläggnings från tillagningen kan kräva att du använder en skursvamp. Använd endast i den borstade ytans riktning för att undvika skador. Använd inte en skursvamp på områden med bilder.
- 4) Smörj de inre delarna av grillen och gallren med matlagingsolja.

Observera:

Använd aldrig stålull eller liknande vid rengöring av rostfritt stål, då detta kan repa ytan och ge underlag för rost.

Vid rengöring ska du arbeta i samma riktning som det rostfria stålet har borstats i – ”med strömmen”.

Rengöring med slipmedel kan repa grillen.

Förvaring av grillen nära kusten, en swimmingpool eller ett spa kan leda till att den korroderar (oxiderar).

Täck över grillen för att skydda den mot rost.

ASENTAJA/KOKOAJA:

Jätä tämä käsikirja kuluttajalle.

KULUTTAJA:

Säilytä käyttöohje myöhempää tarvetta varten.

Kysymykset:

Jos sinulla on kysymyksiä asennuksen aikana tai laitteen käyttöön liittyen, ota yhteyttä paikalliseen myyjään.



Jos tunnet kaasun hajua:

1. Sammuta laitteen kaasu.
2. Avotulet sammutettava.
3. Avaa kansi.
4. Jos haju jatkuu, pysy poissa laitteen läheisyydestä ja soita välittömästi kaasun toimittajillesi tai palokunnalle.



1. Älä säilytä tai käytä bensiiniä tai muita palavia nesteitä tämän tai muiden laitteiden läheisyydessä.
2. Kaasupulloa, jota ei ole yhdistetty käyttöön, ei saa säilyttää tämän, tai muiden laitteiden läheisyydessä.



- Lue ja noudata kaikkia turvallisuuslupia, asennusohjeita sekä käytä ja noudata ohjeita ennen kuin yrität koota ja kokata.
- Joissakin osissa saattaa olla teräviä reunoja. Pukeutuminen suojakäsineisiin suotavaa.

Rasvapalot

- Rasvapalon sammuttaminen sulkemalla kansi ei ole mahdollista. Grillit ovat hyvin tuuletettavia turvallisuussyistä.
- Älä käytä vettä on rasvapaloon, seurauksena saattaa olla Jos sitkeä rasvapalo kehittyä, käännä säätimiä ja kaasupullo pois päältä.
- Jos laitetta ei ole puhdistettu säännöllisesti, rasva voi alkaa palaa ja vahingoittaa tuotetta. Kiinnitä huomiota, kun esilämmityksen tai pohjaanpalaneen ruoan yhteydessä rasvapalo ei pääse kehittymään. Seuraa laitteen yleisiä siivoukseen sekä polttimen kokoonpanon puhdistukseen liittyviä ohjeita estääksesi mahdolliset rasvapalot. Paras tapa estää rasvapalot laitteen säännöllinen puhdistus.
- Älä jätä grilli valvomatta esilämmityksen aikana tai polttaessasi pois ruoan jäämiä HI:lla. Jos grilliä ei ole puhdistettu säännöllisesti, rasva voi alkaa palaa ja vahingoittaa tuotetta.

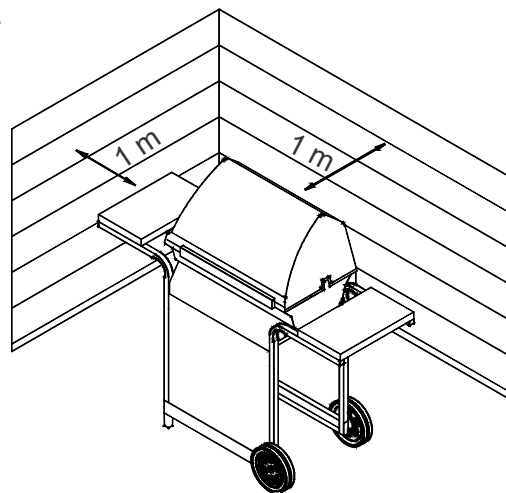


Laitteesi turvalliseen käyttöön sekä vakavien vahinkojen välttämiseksi:

- KÄYTÄ AINOASTAAN ULKONA. ÄLÄ KOSKAAN KÄYTÄ SISÄTILOISSA.

Lue ohjeet ennen laitteen käyttöönottoa. Noudata aina näitä ohjeita.

- Älä siirrä laitetta käytön aikana.
- Osat saattavat olla hyvin kuumia. Pidä pienet lapset poissa. Älä anna lasten käyttää tai leikkiä laitteella.
- Katkaise kaasun tulo kaasupullosta käytön jälkeen.
- Laitte on pidettävä erillään palavista materiaaleista käytön aikana.
- Älä tuki laitteen sivuilla tai takana olevia reikiä.
- Tarkista poltin liekit säännöllisesti.
- Älä peitä polttimen venturin aukkoja.
- Käytä laitetta ainoastaan hyvin ilmastoidussa tilassa. ÄLÄ KOSKAAN käytä suljetussa tilassa, kuten autokatos, autotalli, kuisti, katetulla terassilla tai minkä tahansa ylärakenteen alla.
- Älä käytä hiiltä tai keraamisia brikettejä kaasulaiteessa.
- ÄLÄ peitä ritilöitä alumiinifoliolla tai millään muullakaan materiaalilla. Tämä estää polttimen ilmanvaihdon ja aiheuttavat mahdollisen vaarallisen tilanteen joka voi johtaa omaisuusvahinkoon ja / tai henkilövahinkoon.
- Käytä laitetta vähintään 1 m mistä tahansa seinästä tai pinnasta.
- Säilytä 3m etäisyys esineistä, jotka voivat syttyä palamaan, tai sytytyslähteen kuten veden lämmittimien sytytysliekin, elävän sähkölaitteen, jne.



- ÄLÄ KOSKAAN yritä sytyttää poltinta kansi suljettuna. Eisytytetyn kaasun kertyminen suljetussa laitteessa on vaarallista.
- Katkaise aina kaasu kaasupullosta ja irrota säädin ennen kaasupullon siirtämistä määriteltyyn toiminta-asentoon.
- Älä koskaan käytä laitetta kaasupullon ollessa pois oikeasta asennostaan.
- Älä tee muutoksia laitteeseen. Kaikki tämän laitteen muuntelut on ehdottomasti kielletty. Käyttäjän ei tule käsitellä sinetöityjä osia. Älä pura suuttimia.

Turvallisuusvinkkejä

- Ennen kaasupullon venttiilin avaamista, tarkista säätimen tiiviys.
- Kun laite ei ole käytössä, sammuta kaikki säätimet ja kaasu.
- Käytä pitkäkartaisia grilliastioita ja patakintaita palovammojen sekä roiskeiden välttämiseksi. Käytä suojakäsineitä käsitellessäsi kuumia osia.
- Suurin keittolevyn kuormitus, jos sellainen on, ja sivuhyllyn, on 4,5 Kg. Kypsennysastian minimihalkaisija 200mm ja suurin halkaisija 260mm.
HUOMAUTUS: Grilliäsi EI VOI varustaa Keittolevyllä!
- Rasvakuppi (jos varusteena) on asetettava laitteeseen ja tyhjennettävä jokaisen käyttökerran jälkeen. Älä poista rasvakuppia ennenkuin laite on täysin jäähtynyt.
- Ole varovainen, kun avaat kannen, koska avatessa saattaa tulla kuumaa höyryä.
- Ole hyvin varovainen lasten, vanhusten, tai eläinten ollessa läheisyydessä.
- Jos huomaat rasvan tai muiden kuumien materiaalien tippuvan laitteesta venttiilin, letkun tai säätimen päälle, katkaise kaasu heti. Määritä syy, korjaa se, sitten puhdista ja tarkasta venttiili, letku, ja säädin ennen jatkamista.
- Suorita vuototesti.
- Älä säilytä esineitä tai materiaaleja laitteen sisällä kärryssä, jotka estäisivät palamisilman virtauksen alapintaan joko ohjauspaneeliin tai tulipesän kulhoon.
- Älä irrota tai vaihda kaasusäiliötä vähintään 3 m avotulesta tai muusta sytytyslähteestä.

Kaasupullon Sijoittaminen

Laitteeseen sijoitettujen sylinterien enimmäishalkaisijan on oltava 340 mm ja enimmäiskorkeuden säätimen mukaan lukien 580 mm. Suuremmat sylinterit on sijoitettava vain sivuhyllyn alle tai grillin taakse. Maalle asetettuja sylintereitä ei saa asettaa keittolevyn alle.

Säädintä koskevat vaatimukset


Säädintä on käytettävä laitteen kanssa. Käytä ainoastaan kaasusäädintä, joka on toimitettu laitteen mukana. Jos säädintä ei ole toimitettu, käytä vain sertifioitua säädintä EN 16129 (virtausnopeus maks. 1,5 kg / h) ja joka on hyväksytty maassasi ja täyttää kaasun määrätykset Teknisissä Tiedoissa.

Letkua koskevat Vaatimukset



Käytä vain hyväksyttyä letkua ja joka on sertifioitu EN standardin mukaisesti ja on enintään 1,5 m pitkä. Suomen osalta letkun pituus saa olla enintään 1,2 m.

Ennen jokaista käyttöä, tarkista onko että letku katkennut tai kulunut. Varmista että letku ei ole mutkalla. Varmista, että yhdistettynä letku ei osu kuumiin pintoihin. Vaihda vaurioituneet letkut ennen laitteen käyttöä. Vaihda letku kansallisten vaatimusten mukaan.



Sytyttimen sytytys

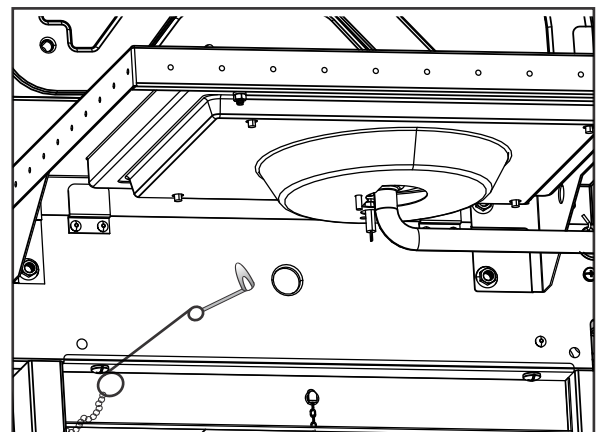
- **Älä kumarru grillin yli sytytyksen aikana.**
- 1. Käännä kaasupoltin säätöventtiilit O (pois).
- 2. Avaa kansi sytytyksen aikana tai uudelleen sytyttäessä.
- 3. Kytke kaasu päälle kaasupullosta.
- 4. Syttyäkseen, työnnä ja käännä polttimen säädintä kohtaan  HIGH. Välittömästi, työnnä ja pidä alhaalla ELECTRONIC IGNITOR -painiketta, kunnes poltin syttyy.
- 5. Jos syttymistä ei tapahdu 5 sekunnissa, käännä polttimen ohjaimet pois O päältä, odota 5 minuuttia ja toista sytytysmenettely.
- 6. Toista vaiheet 4 ja 5 sytyttääksesi muut pääpolttimet.

	VAROITUS	
Sammuta säätimet ja kaasupullo, kun niitä ei käytetä. Varmista, että liitetty letku ei koske lämpimiä pintoja.		

	VAROITUS	
Jos syttymistä ei tapahdu 5 sekunnissa, käännä polttimen ohjaimet pois O päältä, odota 5 minuuttia ja toista sytytysmenettely. Jos poltin ei syty venttiilin ollessa auki, kaasu virtaa edelleen ulos polttimesta ja voi vahingossa syttyä ja tämä aiheuttaa loukkaantumisriskin.		

Sytytys tulitikulla

- **Älä kumarru grillin yli sytytyksen aikana.**
- 1. Käännä kaasupoltin säätöventtiilit O (pois).
- 2. Avaa kansi sytytyksen aikana tai uudelleen sytyttäessä.
- 3. Kytke kaasu päälle kaasupullosta.
- 4. Aseta tulitikku tulitikkupidikkeeseen (roikkuu grillin sivupaneelissa). Sytytä tulitikku; Sytytä sitten poltin asettamalla tulitikku läpi grillin sivussa olevasta tulitikkureiästä. ja käännä polttimen nuppia välittömästi  HIGH -asentoon. Varmista, että poltin syttyy ja palaa tasaisesti.
- 5. Sytytä vierekkäiset polttimet järjestyksessä painamalla nuppeja ja kääntämällä  HIGH -asentoon.



Polttava poltin sytyttimen valaistus

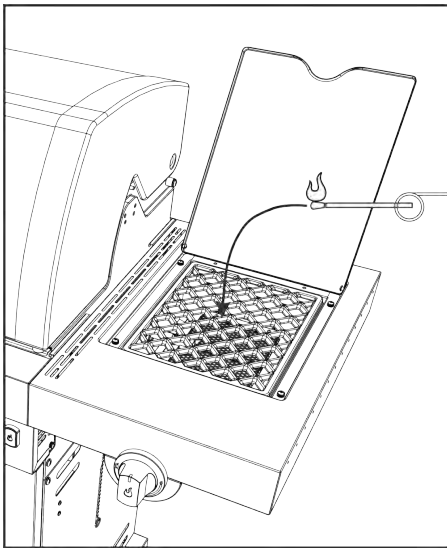
Älä nojaa grillin päälle valaistuksen aikana.

1. Käännä kaasupolttimen säätöventtiilit OFF-asentoon.
2. Avaa kansi valaistuksen tai uudelleenvalaistuksen aikana.
3. Kytke kaasu päälle kaasupullossa.
4. Käännä Sear Burner -nuppi HIGH-asentoon, pidä ELECTRONIC IGNITOR -painiketta painettuna.
5. Jos Polttava poltin EI syty 5 sekunnin sisällä, käännä nuppi asentoon OFF, odota 5 minuuttia ja toista sitten valaistus.

Polttava poltin tulitikku-valaistus

Älä nojaa grillin päälle valaistuksen aikana.

1. Käännä kaasupolttimen säätöventtiilit OFF-asentoon.
2. Avaa kansi valaistuksen tai uudelleenvalaistuksen aikana.
3. Kytke kaasu päälle kaasupullossa.
4. Sijoita sytytetty tulipalo polttimen lähelle. Käännä Polttava poltin -nuppi välittömästi HIGH-asentoon. Varmista, että polttimen valot pysyvät valaistuna.





VAROITUS



HÄMÄHÄKKIHÄLYTYS!

HÄMÄHÄKKI JA VERKOT POLTTIMEN SISÄLLÄ



Jos grillisi sytyttäminen vaikeutuu tai liekki on heikko, tarkista ja puhdista venturit ja polttimet.

Hämähäkkien tai pienten hyönteisten tiedetään aiheuttavan "flashback" -ongelmia rakentamalla pesiä ja laskemalla munia grillin ventureihin tai polttimiin estäen kaasun virtausta. Tiivistynyt kaasu voi syttyä ohjauspaneelin takana. Tämä "flashback" voi vahingoittaa grilliä ja aiheuttaa vammoja. Estämään "flashback" ja varmistamaan hyvä suorituskyky, poltin ja venturiletkun asennus tulisi poistaa ja puhdistaa aina, kun grilli on ollut käyttämättömänä pitkään.

JOS LAITE EI SYTY

- Varmista että kaasu on kytkettynä päälle kaasupullossa.
- Varmista että kaasupullossa on kaasua.
- Tekeekö sytytin kipinöintiä?
 - Jos tekee, tarkista polttimen kipinöinti. Ellei kipinöi, tarkista onko vahingoittuneita tai irtonaisia johtoja.
- Jos johdot ovat kunnossa, tarkista onko vaurioituneita elektrodeja, vaihda tarvittaessa.
- Jos johdossa tai elektrodeissa on ruoanlaitosta jäämiä, pyyhi elektrodin kärki alkoholilla tarvittaessa.
- Tarvittaessa vaihda johdot.
- Jos ääntä ei kuulu tarkistaa akku.
- Varmista, että akku on asennettu oikein.
- Tarkista, ovatko moduulin ja kytkimen johtojen liitännät löysiä.
- Jos sytytin ei edelleenkään toimi, käytä tulitikkuja.

Venttiilien, Letkun ja Säätimen Vuototestaus

Vuototesti ennen ensimmäistä käyttöä, vähintään kerran vuodessa, ja joka kerta kaasupullo vaihdettaessa tai irrotettaessa.

1. Käännä laitteen kaikki ohjausnupit ○.
2. Varmista, että säädin on tiiviisti kytketty kaasupulloon.
3. Kytke Kaasu. Jos kuulet kohisevaa ääntä, käännä kaasu pois päältä välittömästi. Liitoksessa on suuri vuoto. Korjaa ennen jatkamista.
4. Harjaa saippualliuoksella (sekoitus puolet saippuaa ja puolet vettä) letkuliitännät.
5. Jos kuplia alkaa kehittyä, on siinä vuoto. Katkaise kaasupullossa välittömästi ja tarkista liitosten pitävyys. Jos vuotoa ei voida pysäyttää älä yritä korjata. Edellyttää varaosia.
6. Katkaise aina kaasu kaasupullossa vuototestin suorittamisen jälkeen.

Polttimen asennuksen puhdistus

Noudata näitä ohjeita puhdistuessa ja/tai vaihtaessa osia polttimen asennuksessa tai jos sinulla on ongelmia grilliä sytyttäessä.

1. Katkaise kaasu pois säädinnupeista ja kaasupullostasta.
2. Poista grilliritilä ja lämmönjakopelti.
3. Poista siirtohormet ja polttimien turvaamisen työkalut.
4. Irrota elektrodi polttimesta.

HUOMAUTUS: Poisto- / Irrotusmenetelmä riippuu polttimen kokoonpanosta. Katso eri kokoonpanot alla olevista kuvista.

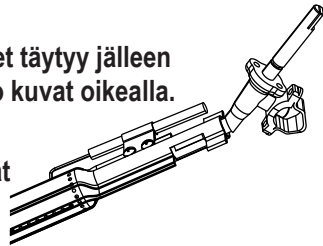
5. Nosta kukin poltin varovasti ylös ja pois päin venttiilin aukoista. Ehdotamme kolme tapaa puhdistaa polttimen putket. Käytä yhtä helpointa sinulle.
 - A. Taivuta jäykkä johto (kevyt vaateripustin toimii hyvin) pieneen koukkuun. Aja koukku jokaisen poltinputken läpi useita kertoja.



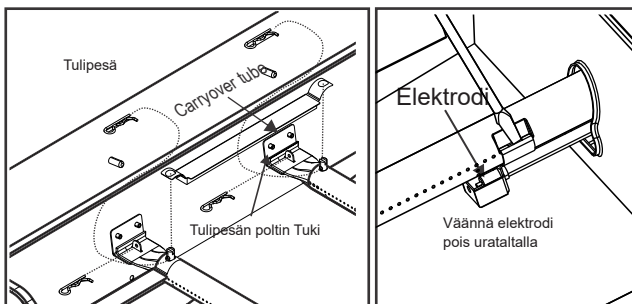
- B. Käytä kapeaa pulloharjaa jossa joustava kahva (älä käytä messinkistä teräsharjaa). Aja harja jokaisen poltinputken läpi useita kertoja.
 - C. **Käytä suojalaseja:** Käytä ilmaletkua pakottamaan ilma polttimen putkeen ja ulos polttimen porteista. Tarkista kukin portti ja varmista ilman ulostulo kustakin reiästä.
6. Teräsharjalla koko ulkopinta poltin poistaa ruoanjäänteet ja lian.
 7. Puhdista tukossa olevat portit jäykällä johdolla kuten aukaistulla paperiliittimellä.
 8. Tarkista, onko polttimeen syntynyt normaalin kulumisen ja korroosion aiheuttamia vahinkoja, jotkut reiät voivat olla laajentuneita. Jos suuria halkeamia tai reikiä löytyy, vaihda poltin.

HYVIN TÄRKEÄÄ: Poltinputket täytyy jälleen kytkeä esisäätöarvoilla. Katso kuvat oikealla.

Korjaa poltin-venttiiliin kytkennät



9. Kiinnitä elektrodi polttimeen.
10. Vaihda polttimet varovasti.
11. Kiinnitä polttimet tulipesän kannakkeisiin.
12. Siirrä siirtohormet ja liitä polttimiin. Vaihda lämmönjakopellit ja grilliritilät.
13. Ennen seuraavaa kypsennystä grillillä, suorita "Vuototesti" ja "Polttimen Liekin Tarkistus".



Laitteesi Varastointi

- Puhdista grilliritilät.
- Säilytä kuivassa tilassa.
- Kun kaasupullo on liitettyyn laitteeseen, varastoi ulkona hyvin tuuletettavassa tilassa ja poissa lasten ulottuvilta.
- Peitä laite, jos sitä säilytetään ulkona.
- Säilytä laitetta sisätiloissa VAIN, jos kaasupullo on kytketty pois päältä ja irrotettu, poistettu laitteesta ja varastoituna ulkona.
- Laitetta siirtäessä pois varastoinnista tarkista, että polttimissa ei ole tukoksia

Yleinen laitteen puhdistus

Tämän grillin säännöllinen puhdistus on välttämätöntä, koska grillipaloja voi ilmetä, kun rasva ja ruokajätteet kerääntyvät grillin pohjaan. Poista jokaisen käyttökerran jälkeen kaikki jäljellä olevat ruokahiukkaset grilliritilästä ja grillin sisäpuolelta Char-Broil Cool-Clean -siveltimellä. Jälkeenpäin

voit suihkuttaa Char-Broil Grate Cleaner -tuotetta runsaasti ritilälle, antaa sen vaikuttaa 10 minuuttia ja pyyhkiä pois märällä liinalla tai harjalla.

Suorita grillin puhdistus grillin jäähtymisen jälkeen.

- Älä erehdytä ruskeaa tai mustaa rasvan ja savun kertymistä maaliksi. Kaasugrillien sisätiloja ei maalata tehtaalla (eikä niitä pitäisi koskaan maalata). Levitä vahva pesu- ja vesiliuos tai käytä puhdistusaineella puhdistusainetta laitteen kannen ja pohjan sisäpuolelle. Huuhtelee ja anna kuivua kokonaan. Älä levitä syövyttävää laitetta / uuninpuhdistusainetta maalatuille pinnoille.
- Muoviosat: Pese lämpimällä saippuavedellä ja pyyhi kuivaksi. Älä käytä hankaavia puhdistusaineita, rasvanpoistoaineita tai tiivistettyä laitepuhdistusainetta muoviosissa. Seurauksena voi olla osien vaurioituminen tai vikaantuminen.
- Posliinipinnat: Lasimaisen koostumuksen takia suurin osa jäännöksistä voidaan pyyhkiä pois sooda / vesiliuoksella, lasinpuhdistusaineella tai Char-Broil Grate Cleanerillä. Käytä hankaamatonta hankausjauhetta itsepintaisiin tahroihin.
- Maalatut pinnat: Pese miedolla pesuaineella tai puhdistusaineella ja lämpimällä saippuavedellä tai Char-Broil Grill Cleanerilla. Pyyhi kuivaksi pehmeällä hankaamaton kangas.
- Keittopinnat: Varmista, että kypsennyspinnoilla ei ole löysiä harjakset ennen grillaamista. Grillin ollessa kuuma on suositeltavaa puhdistaa ruoanlaittopinnat vain Char-Broil Hot-Clean -vaihtopäällä (Char-Broil Cool-Clean Premium Brush -harjalla).

CLEAN-asetus

Grillisi on varustettu innovatiivisella CLEAN-asetuksella, joka mahdollistaa vaivaton grillin puhdistus. Polttimien tuottama korkea lämpö muuttaa kaikki jäljellä olevat ruokajätteet tuhaksi.

Toimi seuraavasti:

- Kun olet grillannut, säädä kaikki pääpolttimet CLEAN-asetukseen ja pidä niitä noin 12 - 15 minuutin ajan
- Säädä noin 12 - 15 minuutin kuluttua kaikki pääpolttimet OFF-asentoon ja anna grillin jäähtyä
- Kun grilli on jäähtynyt, poista kaikki roskat Char-Broil Cool-Clean -siveltimellä ja hävitä tuhka.
- Saadaksesi erittäin kiiltäviä tuloksia, käytä viimeisenä vaiheena Char-Broil Grate Cleaner -puhdistusainetta. Suihkuta runsaasti ritilälle, anna sen vaikuttaa 10 minuuttia ja pyyhi pois märällä liinalla tai harjalla.

TEKNISET TIEDOT CHAR-BROIL, LLC				
Laitteen Nimi	Kaasugrilli/Grilli			
Nimellislämpöteho	9.67 kW (704 g/h)		9.67 kW (704 g/h)	
Kaasukategoria	I3+(28-30/37)	I3B/P(30)	I3B/P(50)	
Mallinro.	468972023		468782023	
Kaasutyypit	Butaani	Propani	Butaani, Propani tai niiden seokset	Butaani, Propani tai niiden seokset
Kaasun Paine	28-30 mbar	37 mbar	30 mbar	50 mbar
Polttava poltin Suuttimen Koko (Halk. mm)	Grilli: 0,86 x 2 poltinta		Grilli: 0,86 x 2 poltinta	Grilli: 0,75 x 2 poltinta
	0,91 x 1 pcs		0,91 x 1 pcs	0,81 x 1 pcs
Kohdemaat	GB, FR, BE, ES, IT, PT, CZ, SK, CH, CY, GR, IE, LT, LU, LV, SI	DK, NO, NL, SE, FI, IS, CZ, IT, SK, BG, CY, EE, HR, HU, LT, LU, LV, MT, RO, SI, TR		AT, DE, CH, LU, SK

Ruostumaton teräs

On olemassa monia erilaisia (seoksia) materiaaleja, joita kutsutaan ruostumattomaksi teräkseksi.

Yhteinen piirre näille eri seostyypeille on, että ne saattavat syöpyä (hapettua), riippuen olosuhteista joihin ne altistetaan.

Tämä koskee myöskin uutta grilliäsi.

Voit varmistaa, että grilli säilyttää ulkonäkönsä ja toiminnallisuutensa monta vuotta noudattamalla seuraavia ohjeita.

- 1) Jos grilli on kastunut tai kostea, muista kuivata se liinalla pinnan korroosion estämiseksi.
- 2) Ruostumaton teräs voi ruostua tietyissä olosuhteissa. Tämä voi johtua ympäristöön liittyvistä olosuhteista, kuten kloorista tai suolaisesta vedessä tai vääristä siivousvälineistä kuten teräsvilla. Se voi myös väriäytyä johtuen lämmöstä, kemikaaleista tai rasvan kertymisestä.
- 3) Laitteen korkealaatuinen ulkonäkö voidaan säilyttää pesemällä miedolla pesuaineella ja lämpimällä saippuavedellä ja pyyhi kuivaksi pehmeällä liinalla jokaisen käytön jälkeen. Tarttunut rasva voi vaatia käytettäväksi hiovaa muovista puhdistusvynnyä. Käytä vain harjatun viimeistelyn suuntaan vahinkojen välttämiseksi. Älä käytä hankaustyynyjä alueille, joissa grafiikkaa.
- 4) Rasvaa grillin sisäosat ja ritalät ruokaöljyllä.

Huomaa:

Älä koskaan käytä teräsvillaa tai vastaavaa ruostumattoman teräksen puhdistuksessa, jotta vältetään pinnan naarmuuntuminen ja ruosteen muodostuminen.

Kun puhdistat, työskentele samaan suuntaan kuin ruostumaton teräs on harjattu eli 'sydensuuntaisesti'. Hankausaineilla puhdistus voi jättää naarmuja.

Grillin säilytys lähellä rannikkoa, uima-allasta tai kylpylää aiheuttaa grilliin syöpymistä (hapettuu).

Peitä grilli ruosteen estämiseksi.

INSTALADOR/ENSAMBLADOR:


Entregue este manual al consumidor.

CONSUMIDOR:


Conserve este manual para futura referencia.

Preguntas:

Si tiene preguntas durante el ensamble o uso de este aparato contacte a su distribuidor local.




PELIGRO



Si huele a gas:


1. Cierre el suministro de gas del aparato.
2. Apague todas las llamas abiertas.
3. Abra la tapa.
4. Si el olor persiste, aléjese del aparato e inmediatamente llame a su proveedor de gas o al departamento de bomberos.




ADVERTENCIA



1. No almacene ni use petróleo u otros líquidos inflamables cerca de este u otro aparato.
2. Cuando el cilindro de gas no está en uso no debe almacenarse cerca de este ni de otro aparato.




PRECAUCIÓN




- Lea y siga todas las declaraciones de seguridad, instrucciones de ensamble, uso y cuidado antes de intentar ensamblar o cocinar.
- Algunas partes pueden contener bordes afilados. Se recomienda usar guantes protectores.

Fuego de grasa

- No es posible apagar los incendios de grasas cerrando la tapa. Las barbacoas están bien ventiladas por motivos de seguridad.
- No use agua en un fuego de grasa, puede ocasionar lesiones personales. Si se desarrolla un fuego de grasa persistente, apague los botones y cierre el cilindro de gas.
- Si el aparato no se ha limpiado periódicamente, puede ocurrir un fuego de grasa que puede dañar el producto. Ponga especial cuidado al precalentar o quemar residuos de comida, para asegurarse que no se desarrolle un fuego de grasa. Siga las instrucciones generales de limpieza del aparato y limpieza del conjunto de quemadores para prevenir los fuegos de grasa. La mejor forma de prevenir los fuegos de grasa es la limpieza periódica del aparato.
- No deje la barbacoa en HIGHT (alto) desatendida mientras se precalienta o quema residuos de comida. Si la barbacoa no se limpia regularmente, puede ocurrir un incendio de grasas que puede dañar el producto.

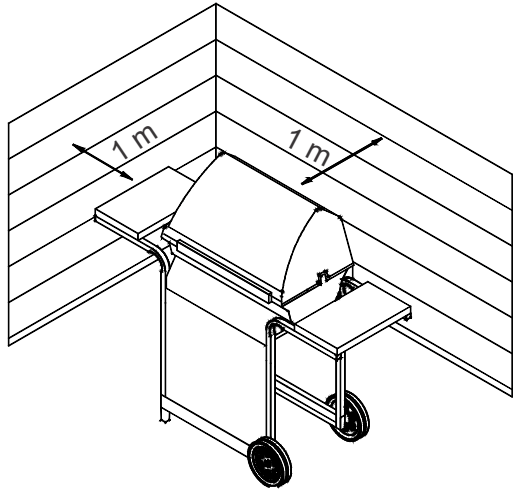


ADVERTENCIA



Para el uso seguro de su aparato y evitar lesiones serias:

- **USO ÚNICAMENTE EN EXTERIORES. NUNCA LO USE EN INTERIORES.** Lea las instrucciones antes de usar este aparato. Siga siempre estas instrucciones.
- No mueva el aparato cuando está en uso.
- Las partes accesibles pueden estar muy calientes. Mantenga los niños menores alejados. No permita que los niños operen o jueguen cerca del aparato.
- Cierre el suministro de gas en el cilindro luego de usarlo.
- Este aparato debe mantenerse alejado de materiales inflamables durante su uso.
- No bloquee los agujeros a los lados o respaldo del aparato.
- Revise periódicamente la llama de los quemadores.
- No bloquee las aberturas de los venturís del quemador.
- Use el aparato solo en un lugar bien ventilado. NUNCA lo use en un espacio cerrado, tal como una cochera, garaje, veranda, patio cubierto o debajo de una estructura cubierta de cualquier tipo.
- No use briquetas de carbón o cerámica en el aparato de gas.
- NO cubra las parrillas con papel aluminio ni otro material. Esto bloquea la ventilación de los quemadores y crea una situación potencialmente peligrosa que puede ocasionar daños a la propiedad y/o lesiones personales.
- Use el aparato al menos a 1 metro de cualquier pared o superficie. Mantenga un espacio libre de 3 metros de los objetos que pueden encenderse, tales como luces piloto de calentadores de agua, electrodomésticos conectados, etc.



- NUNCA intente encender los quemadores con la tapa cerrada. La acumulación de gas sin encender dentro del aparato cerrado es peligrosa.
- Siempre cierre el gas en el cilindro y desconecte el regulador antes de cambiar el cilindro de la posición de operación especificada.
- Nunca opere el aparato con el cilindro de gas por fuera de la posición correcta especificada.
- No modifique el aparato. Todas las modificaciones están estrictamente prohibidas. Las piezas selladas no deben ser manipuladas por el usuario. No desarme los inyectores.

Consejos de seguridad

- Antes de abrir la válvula del cilindro de gas, revise que el regulador esté apretado.
- Cuando no use el aparato, apague todas las perillas de control y cierre el gas.
- Use utensilios para barbacoa largos y guantes para horno para evitar quemaduras y salpicaduras. Use guantes protectores cuando manipule componentes calientes.
- La carga máxima para la placa caliente, si cuenta con ella, y la bandeja lateral, es 4,5 kilos. El recipiente de cocción debe tener un diámetro mínimo de 200 mm y máximo de 260 mm. NOTA: ¡Su barbacoa puede NO tener una placa caliente!
- La taza de grasas (si cuenta con ella) debe estar colocada en el aparato y se debe desocupar después de cada uso. No retire la taza de grasas hasta que el aparato se haya enfriado completamente.
- Sea muy cuidadoso al abrir la tapa, ya que el vapor caliente puede escapar.
- Sea muy cuidadoso cuando haya niños, ancianos o mascotas cerca.
- Si nota que escurre grasa y otro material caliente del aparato, en la válvula, manguera o regulador, cierre el suministro de gas inmediatamente. Determine la causa, corrijala, luego limpie e
- inspeccione la válvula, manguera y regulador antes de continuar usándolo. Realice una prueba de fugas.
- No almacene objetos o materiales dentro de la canasta del carro del aparato, que puedan bloquear el flujo del aire de combustión para la parte inferior, el panel de control o la taza de la caja de fuego.
- NO desconecte o cambie el recipiente de gas a menos de 3 metros de una llama abierta o fuente de ignición.

Ubicación del cilindro

Los cilindros colocados en el aparato deberán tener un diámetro máximo de 340 mm y una altura máxima, incluido el regulador, de 580 mm. Los cilindros más grandes deben colocarse debajo del estante lateral o solo detrás de la barbacoa. Los cilindros colocados en el suelo no deben colocarse debajo de la placa calefactora.

Requisitos del regulador

Se debe usar un regulador con este aparato. Use únicamente el regulador de gas suministrado con la barbacoa. Si no se suministra un regulador, entonces use únicamente un regulador certificado de acuerdo con EN16129 (Flujo máx. 1,5 kg/h), aprobado para su país y para el gas especificado en los datos técnicos.

Requerimientos de manguera



Únicamente use mangueras aprobadas que hayan sido certificadas al estándar EN y que no excedan una longitud de 1,5 m. Para Finlandia, la longitud total de la manguera no debe exceder 1,2 m.



Antes de cada uso, compruebe que las mangueras no estén cortadas o desgastadas. Asegúrese que la manguera no esté retorcida. Asegúrese que cuando está conectada, la manguera no toque superficies calientes. Reemplace las mangueras dañadas antes de usar el aparato. Reemplace la manguera de acuerdo con los requerimientos nacionales.

Encender con el encendedor

- **No se incline sobre la barbacoa al encenderla.**

1. Gire las válvulas de control de los quemadores a \circ (apagado).
2. Abra la tapa durante el encendido o reencendido.
3. Abra el gas en el cilindro de LP.
4. Para encender, gire y empuje la perilla del quemador a la posición \blacktriangledown HIGH (Alto). Inmediatamente, presione y mantenga presionado el botón ELECTRONIC IGNITOR (encendedor electrónico) hasta que el quemador encienda.
5. Si el quemador NO enciende en 5 segundos, gire el control del quemador a la posición OFF \circ (apagado), espere 5 minutos y repita el proceso de encendido.
6. Repita los pasos 4 a 5 para encender los demás quemadores principales.

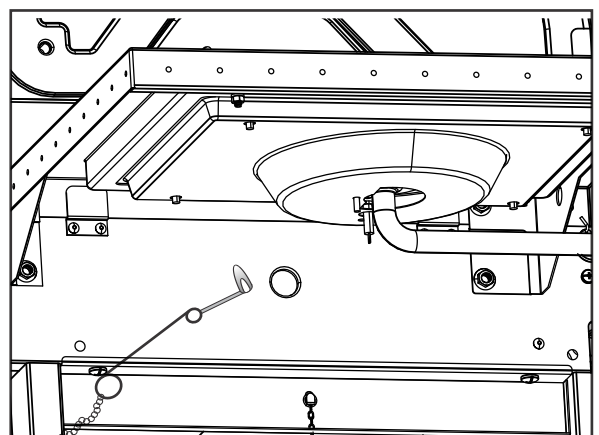
	ADVERTENCIA	
<p>Apague los controles y el cilindro de gas cuando no esté en uso. Asegúrese de que cuando la manguera conectada no toque ninguna superficie caliente.</p>		

	PRECAUCIÓN	
<p>Si el quemador NO enciende en 5 segundos, gire el control del quemador a la posición OFF (apagado), espere 5 minutos y repita el proceso de encendido. Si el quemador no enciende con la válvula abierta, el gas continuará saliendo del quemador y puede encenderse accidentalmente con riesgo de lesiones.</p>		

Encendido con cerilla

- **No se incline sobre la barbacoa al encenderla.**

1. Gire las válvulas de control de los quemadores a \circ (apagado).
2. Abra la tapa durante el encendido o reencendido.
3. Abra el gas en el cilindro de LP
4. Ponga la cerilla en el soporte para cerillas (cuelga del panel lateral de la barbacoa). Encienda la cerilla, luego encienda el quemador poniendo la cerilla por el agujero para cerillas a un lado de la barbacoa. Inmediatamente presione y gire la perilla del quemador a la posición \blacktriangledown HIGH (alto). Asegúrese que el quemador encienda y se mantiene encendido.
5. Encienda los quemadores adyacentes en secuencia, presionando las perillas y girándolas a la posición HIGH (alto).



Encendido de quemador de quemador

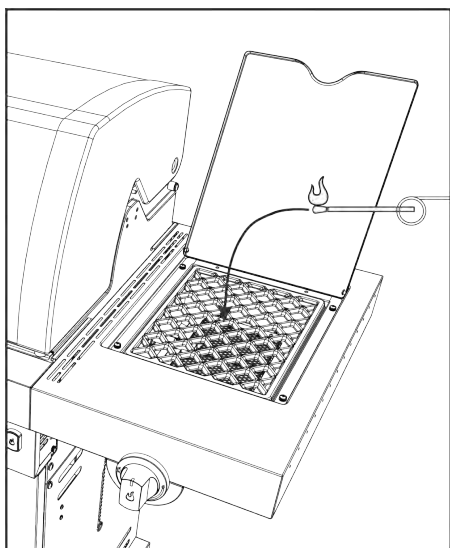
No se incline sobre la barbacoa mientras la enciende.

1. Apague las válvulas de control del quemador de gas.
2. Abra la tapa durante el encendido o el reencendido.
3. Encienda el gas en el cilindro de propano líquido.
4. Gire la perilla del quemador para dorar a la posición ALTA, presione y mantenga presionado el botón ENCENDIDO ELECTRÓNICO.
5. Si el quemador para dorar NO se enciende en 5 segundos, gire la perilla a la posición APAGADO, espere 5 minutos y luego repita el procedimiento de encendido.

Encendido de fósforos de quemador de búsqueda

No se incline sobre la barbacoa mientras la enciende.

1. Apague las válvulas de control del quemador de gas.
2. Abra la tapa durante el encendido o el reencendido.
3. Encienda el gas en el cilindro de propano líquido.
4. Coloque una cerilla encendida cerca del quemador. Gire inmediatamente la perilla del quemador para dorar a la posición ALTA. Asegúrese de que el quemador se encienda y permanezca encendido.



Prueba de fugas de válvulas, manguera y regulador

Revise que no haya fugas antes del primer uso, una vez al año y cada vez que cambia o desconecta el cilindro de gas.

1. Ponga todas las perillas de control del aparato en la posición O.
2. Asegúrese que el regulador está firmemente conectado al cilindro de gas.
3. Cierre el gas. Si escucha un siseo, cierre el gas de inmediato. Hay una fuga de gas grande en la conexión. Corrijala antes de continuar.
4. Aplique una solución jabonosa (mezcla por mitad de jabón y agua) a las conexiones de la manguera.
5. Si aparecen burbujas que crecen, hay una fuga. Cierre inmediatamente el gas en el cilindro y compruebe que las conexiones estén apretadas. Si no se puede detener la fuga, no intente una reparación. Llame para solicitar piezas de reemplazo.
6. Siempre cierre el gas en el cilindro antes de realizar la prueba de fugas.

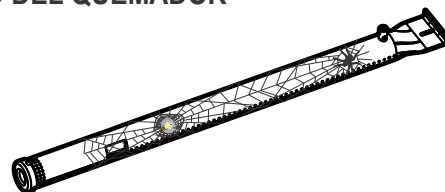


PRECAUCIÓN



ALERTA DE ARAÑAS

ARAÑAS Y TELARAÑAS DENTRO DEL QUEMADOR



Si su barbacoa se hace difícil de encender o la llama es débil, compruebe y limpie los venturís y quemadores.

Se conoce que las arañas e insectos pequeños ocasionan problemas de "fognazos" al construir nidos y poner huevos en los venturís o quemadores, obstruyendo el paso de gas. El gas acumulado puede encenderse detrás del panel de control. El fognazo puede dañar la barbacoa y ocasionar lesiones. Para evitar los fognazos y asegurar un buen desempeño, el conjunto de venturi y tubo inyector debe ser retirado y limpiado cuando la barbacoa no ha sido usada por un periodo prolongado de tiempo.

SI EL APARATO NO ENCIENDE

- Asegúrese que el gas esté abierto en el cilindro.
- Asegúrese haya gas en el cilindro.
- ¿El encendedor hace un sonido de chispa?
 - Si lo hace, revise la chispa en el quemador.
 - Si no hay chispa, revise que no haya cables dañados o sueltos.
- Si los cables están bien, revise que el electrodo no esté fracturado o roto y reemplácelo si es necesario.
- Si los cables o electrodos están cubiertos por residuos de comida, limpie la punta del electrodo con una toallita con alcohol, si es necesario.
- Si es necesario, reemplace los cables.
- Si no hay sonido, revise la batería.
- Asegúrese que la batería está instalada correctamente.
- Revise que no haya conexiones del cable sueltas en el módulo y el interruptor.
- Si el encendedor sigue sin funcionar, use cerillas.

Limpiar el conjunto quemador

Siga estas instrucciones para limpiar y/o reemplazar piezas del conjunto quemador, o si tiene problemas para encender la barbacoa.

1. **Apague el gas en las perillas de control y cierre el cilindro de gas LP.**
2. Retire las parillas de cocción y los difusores de calor.
3. Retire los tubos de transferencia y las piezas que aseguran los quemadores.
4. Quite el electrodo del quemador.

NOTA: El método para quitar/remover dependerá de la configuración del quemador. Vea a continuación diferentes configuraciones en las ilustraciones.

5. Levante cuidadosamente cada quemador hacia arriba y alejando de las aberturas de las válvulas. Sugerimos tres formas de limpiar los tubos quemadores. Use la que le parezca más fácil.

A. Doble un alambre rígido (un gancho para la ropa ligero funciona bien) formando un pequeño gancho. Pase el gancho varias veces por cada tubo quemador.



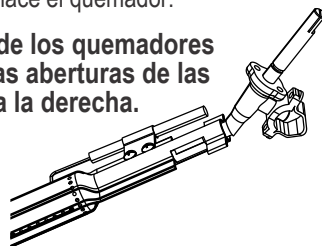
B. Use un cepillo de biberón angosto con mango flexible (no use una brocha de alambre de bronce). Pase el cepillo varias veces por cada tubo quemador.

C. Use protección para los ojos: Use una manguera de aire para forzar aire en el tubo quemador y hacia afuera de los puertos de los quemadores. Revise todos los puertos para asegurarse que sale aire de todos.

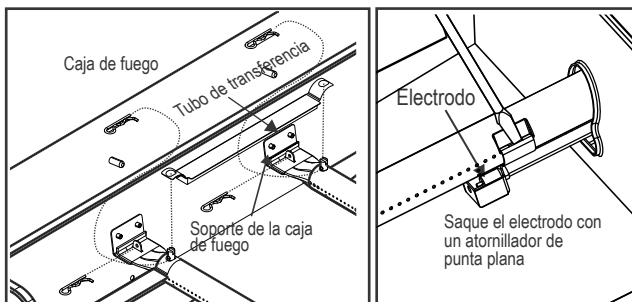
6. Limpie con una brocha de alambre la superficie exterior del quemador para eliminar los residuos de comida y tierra.
7. Limpie las partes bloqueadas con un alambre rígido, tal como un clip de papel abierto.
8. Revise que el quemador no tenga daños debido al uso normal y corrosión, algunos agujeros se pueden agrandar. Si encuentra grietas grandes o agujeros, reemplace el quemador.

MUY IMPORTANTE: Los tubos de los quemadores deben acoplarse de nuevo en las aberturas de las válvulas. Vea las ilustraciones a la derecha.

Acople correcto quemador a válvula



9. Fije el electrodo al quemador.
10. Reemplace los quemadores cuidadosamente.
11. Fije los quemadores con soportes a la caja de fuego.
12. Posicione de nuevo los tubos de transferencia y acople los quemadores. Reemplace los difusores de calor y las parillas de cocción.
13. Antes de cocinar nuevamente en la barbacoa, realice una "Prueba de fugas" y una "Comprobación de llama del quemador".



Almacenar su aparato

- Limpie las parillas de cocción.
 - Almacene en un lugar seco.
 - Cuando el cilindro de gas está conectado al aparato, almacene en exteriores en un lugar bien ventilado y lejos del alcance de los niños.
 - Cubra el aparato si lo almacena en exteriores.
 - Almacene el aparato en interiores ÚNICAMENTE si el cilindro de gas está cerrado y desconectado, retirado del aparato y almacenado en exteriores.
- Al sacar el aparato del almacenamiento, revise que no haya obstrucciones en los quemadores.

Limpieza general de electrodomésticos

Es necesaria una limpieza periódica de esta parrilla, ya que pueden ocurrir incendios en la parrilla cuando la grasa y los restos de comida se acumulan en la parte inferior de la parrilla. Después de cada uso, retire cualquier partícula de comida restante de la rejilla de cocción y del interior de la parrilla con un cepillo Char-Broil Cool-Clean. Después puede rociar generosamente Char-Broil Grate Cleaner sobre la rejilla, dejar actuar durante 10 minutos y limpiar con un paño húmedo o un cepillo.

Realice la limpieza de la parrilla después de que se haya enfriado.

- No confunda la acumulación de grasa y humo marrón o negro con pintura. Los interiores de las barbacoas de gas no se pintan en fábrica (y nunca se deben pintar). Aplique una solución fuerte de detergente y agua o use un limpiador de electrodomésticos con cepillo para fregar en el interior de la tapa y la base del electrodoméstico. Enjuague y deje secar completamente al aire. No aplique limpiador cáustico para horno / electrodomésticos sobre superficies pintadas.

- Partes de plástico: lavar con agua tibia y jabón y secar. No utilice limpiadores abrasivos, desengrasantes o un limpiador concentrado para electrodomésticos en las piezas de plástico. Pueden producirse daños y fallas en las piezas.

- Superficies de porcelana: debido a su composición similar al vidrio, la mayoría de los residuos se pueden limpiar con una solución de agua / bicarbonato de sodio, limpiador de vidrios o limpiador de rejillas Char-Broil. Use un limpiador en polvo no abrasivo para las manchas rebeldes.
- Superficies pintadas: Lave con un detergente o limpiador suave y agua tibia con jabón o el Limpiador para parrillas Char-Broil. Secar con un paño suave.

pañó no abrasivo.

- Superficies de cocción: asegúrese de que no queden cerdas sueltas en las superficies de cocción antes de asar. Mientras la parrilla está caliente, solo se recomienda limpiar las superficies de cocción con el cabezal de repuesto Char-Broil Hot-Clean (en el cepillo Premium Char-Broil Cool-Clean).

◆◆ Ajuste de LIMPIEZA

Su parrilla está equipada con un innovador ajuste de LIMPIEZA que permite limpieza de la parrilla sin complicaciones. El alto calor generado por los quemadores convertirá todos los restos de comida restantes en cenizas.

Sigue estos pasos:

- Una vez que haya terminado de asar a la parrilla, ajuste todos los quemadores principales a la configuración de LIMPIEZA y permanezca durante aproximadamente 12 a 15 minutos.
- Después de aproximadamente 12 a 15 minutos, ajuste todos los quemadores principales a la posición de APAGADO y deje que la parrilla se enfríe.
- Una vez que la parrilla esté fría, use un cepillo Char-Broil Cool-Clean para quitar cualquier residuo restante y deseche la ceniza
- Para obtener resultados más brillantes, use el limpiador de rejilla Char-Broil como último paso. Pulverizar generosamente sobre la rejilla, dejar actuar durante 10 minutos y limpiar con un paño húmedo o un cepillo.

**DATOS TÉCNICOS
CHAR-BROIL, LLC**

Nombre del aparato	Barbacoa a gas/parrilla a gas		
Entrada de calor nominal	9.67 kW (704 g/h)		9.67 kW (704 g/h)
Categoría de gas	I3+(28-30/37)	I3B/P(30)	I3B/P(50)
Modelo No.	468972023		468782023
Tipo de gas	Butano	Propano	Butano, propano o sus mezclas
Presión del gas	28-30 mbar	37 mbar	30 mbar
Tamaño de inyectores (Diám. en mm)	Principal: 0,86 x 2 st		Principal: 0,75 x 2 st
Quemador abrasador Tamaño de inyectores (Diám. en mm)	0,91 x 1 pcs		0,91 x 1 pcs
Países destino	GB, FR, BE, ES, IT, PT, CZ, SK, CH, CY, GR, IE, LT, LU, LV, SI	DK, NO, NL, SE, FI, IS, CZ, IT, SK, BG, CY, EE, HR, HU, LT, LU, LV, MT, RO, SI, TR	AT, DE, CH, LU, SK

Acero inoxidable

Hay muchos tipos diferentes de materiales (aleaciones) que se consideran acero inoxidable.

Una característica común de estos diferentes tipos, es que pueden corroerse (oxidarse) dependiendo de las condiciones a las que son sujetos.

Esto también aplica para su nueva barbacoa.

Para asegurar que la barbacoa conserve su apariencia y funcionalidad por muchos años, por favor siga estos consejos.

1) Si la barbacoa se moja o humedece, asegúrese de secarla usando un trapo, para evitar la corrosión de la superficie.

2) El acero inoxidable se puede oxidar en ciertas condiciones. Esto puede ser ocasionado por condiciones ambientales tales como el cloro o el agua salada, o herramientas de limpieza inadecuadas, tales como alambres o esponjillas de acero. También se puede decolorar debido al calor, químicos o acumulación de grada.

3) Para conservar la apariencia de alta calidad de su aparato, lave con un detergente suave y agua caliente jabonosa y seque con un trapo suave luego de cada uso. Los depósitos de grasa quemada pueden requerir el uso de una espuma limpiadora abrasiva de plástico. Use solamente en dirección del acabado bruñido para evitar daños. No use la espuma abrasiva en áreas con dibujos.

4) Engrase las partes internas de la barbacoa y las parrillas con aceite de cocina.

Por favor tenga en cuenta:

Para evitar rayar la superficie y ayudar a la formación de óxido, nunca use esponjillas metálicas o similares al limpiar el acero inoxidable.

Al limpiar, trabaje en la misma dirección del bruñido del acero inoxidable, "con el grano". Limpiar con abrasivos puede ocasionar rayones.

Almacenar la barbacoa cerca de la costa, piscina o spa, ocasionará que la barbacoa se corra (oxide).

Cubra la barbacoa para protegerla contra el óxido.

INSTALADOR/MONTADOR:

Deixe este manual com o consumidor.

CONSUMIDOR:

Guarde este manual para referência futura.

Perguntas:

Se tiver alguma questão durante a montagem ou utilização deste aparelho contacte o seu distribuidor local.



PERIGO



Se lhe cheirar a gás:

1. Desligue o gás do aparelho.
2. Apague todas as chamas abertas.
3. Abra a tampa.
4. Se o odor persistir, mantenha-se longe do aparelho e ligue imediatamente para o seu distribuidor de gás ou para os bombeiros.



AVISO



1. Não guarde ou use gasolina ou outros líquidos inflamáveis nas proximidades deste ou de qualquer outro aparelho.
2. Uma botija de gás que não esteja ligada para ser usada não deve ser guardada nas proximidades deste ou de qualquer outro aparelho.



ATENÇÃO



- Leia e siga todos os manifestos de segurança, instruções de montagem e indicações de manutenção e utilização antes de tentar montar o aparelho e cozinhar.
- Algumas partes podem ter rebordos afiados. É recomendado que use luvas de proteção.

Fogos de Gordura

- Não é possível apagar fogos de gordura ao fechar da tampa. Os grelhadores são bem ventilados, por razões de segurança.
- Não use água com um fogo de gordura. Pode resultar em lesões pessoais. Se se der um fogo de gordura persistente, desligue os reguladores e a botija de gás.
- Se o aparelho não for limpo com regularidade, pode ocorrer um fogo de gordura que o pode danificar. Tome muita atenção durante o pré-aquecimento ou enquanto queima resíduos de comida para se assegurar que não se desenvolve um fogo de gordura. Siga as gerais de limpeza do aparelho e de limpeza da montagem dos queimadores para prevenir fogos de gordura. A melhor forma de prevenir fogos de gordura é limpar regularmente o aparelho.
- Não deixe o grelhador desacompanhado enquanto estiver a aquecer ou a queimar resíduos de gordura no HI. Se o grelhador não for limpo regularmente, pode dar-se um fogo de gordura que pode danificar o produto.



AVISO

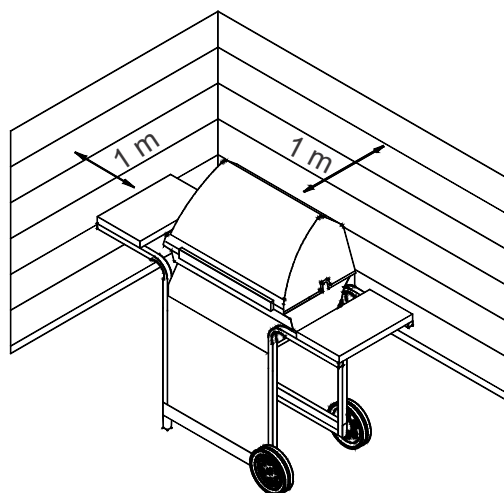


Para Um Uso Seguro do Seu Aparelho e para Evitar Lesões Graves:

• **USE SOMENTE NO EXTERIOR. NUNCA USE NO INTERIOR.**
Leia as instruções antes de usar o aparelho.

Siga sempre estas instruções.

- Não movimente o aparelho durante a sua utilização.
- As partes acessíveis podem estar muito quentes. Não deixe que as crianças operem ou brinquem perto do aparelho.
- Desligue o fornecimento de gás no cilindro depois de usar.
- Este aparelho tem de ser afastado de materiais inflamáveis durante a sua utilização.
- **Não** bloqueie os furos nos lados ou na traseira do aparelho.
- Verifique as chamas dos queimadores com regularidade.
- Não bloqueie as aberturas de venturi no queimador
- Use o aparelho somente em espaços bem ventilados. NUNCA use em espaços fechados tais como estacionamentos cobertos, garagens, alpendres, pátios cobertos, ou debaixo de qualquer estrutura de cobertura.
- Não use carvão ou briquetes de cerâmica num aparelho a gás.
- **NÃO** cubra as grelhas com folha de alumínio ou qualquer outro material. Isto irá bloquear a ventilação do queimador e criar uma condição potencialmente perigosa que pode resultar em lesões pessoais e/ou danos materiais.
- **Use o aparelho a pelo menos 1m de distância de qualquer parede ou superfície.**
- Mantenha 3m de distância para objetos que possam pegar fogo ou de fontes de ignição, tais como chamas-piloto, aquecedores de água, aparelhos elétricos acesos, etc.



- Nunca tente ligar um queimador com a tampa fechada. Uma acumulação de gás por queimar dentro de um aparelho fechado é perigosa.
- Desligue sempre o gás na botija e desligue o regulador antes de mover a botija de gás da posição de funcionamento especificada.
- Nunca ponha o aparelho a funcionar com a botija de gás fora da correta posição especificada.
- Não modifique o aparelho. Quaisquer modificações são estritamente proibidas. As peças seladas não são para ser manipuladas pelo utilizador. Não desmonte os injetores.

Dicas de Segurança

- Antes de abrir a válvula da botija de gás, verifique a estanquicidade do regulador.
- Quando o aparelho não esteja a ser usado, desligue todos os botões de controlo e o gás.
- Utilize utensílios de grelhador com pegas longas e luvas de forno para evitar queimaduras e salpicos. Use luvas de proteção quando estiver a manipular componentes quentes.
- A carga máxima do fogareiro, se equipada, e da prateleira lateral é de 4,5 Kg. O diâmetro mínimo da superfície de cozedura é de 200mm e o máximo de 260mm. NOTA: O seu grelhador pode NÃO estar equipado com um Fogareiro!
- O copo de gordura (se equipado) deve ser inserido no aparelho e esvaziado depois de cada utilização. Não retire o copo de gordura até que o aparelho tenha arrefecido completamente.
- Tenha muito cuidado quando abrir a tampa, uma vez que pode libertar-se vapor quente.
- Tenha muito cuidado quando crianças, idosos ou animais de estimação estejam próximos. Se notar que gordura ou qualquer outro material quente está a pingar do aparelho para a válvula, mangueira ou regulador, desligue imediatamente o fornecimento de gás. Determine a causa, corrija-a, e depois limpe e inspecione a válvula, mangueira e regulador antes de prosseguir. Faça um teste de fugas.
- Não guarde objetos ou materiais dentro da parte fechada do carrinho do aparelho que possam bloquear o fluxo de combustão de ar para a parte de baixo tanto do painel de controlo como da bacia da fornalha.
- NÃO desligue ou troque o contentor de gás num raio de 3m de uma chama aberta ou outra fonte de ignição.

Posicionamento da Botija

Os cilindros colocados no aparelho devem ter diâmetro máximo de 340 mm e altura máxima, incluindo regulador, de 580 mm. Os cilindros maiores devem ser colocados sob a prateleira lateral ou atrás da churrasqueira apenas. Cilindros colocados no solo não devem ser colocados sob a placa quente.

Requerimentos do Redutor

Deve ser utilizado um redutor com este aparelho. Use apenas o redutor de gás fornecido com o seu grelhador. Se não lhe for fornecido um redutor, então use um certificado pela norma EN16129 (Caudal máx. 1,5kg/h) e aprovada para o seu país e o gás especificados nos Dados Técnicos.

Requerimentos da Mangueira



Use apenas mangueiras aprovadas, que são certificadas pela norma EN padrão apropriada e que não excedem os 1,5m de comprimento. Na Finlândia, o comprimento da mangueira não deve exceder os 1,2m.



Antes de cada utilização, verifique se as suas mangueiras estão cortadas ou gastas. Assegure-se de que a mangueira não está dobrada. Assegure-se de que, quando esteja ligada, a mangueira não toca em nenhuma superfície quente. Substitua as mangueiras danificadas antes de usar o aparelho. Substitua a mangueira seguindo os requerimentos nacionais.

Acender com dispositivo de ignição

- Não se incline sobre o grelhador ao acendê-lo.

1. Posicione as válvulas de controlo dos queimadores em ○ (off - desligado)
2. Abra a tampa ao acender ou re-acender.
3. LIGUE o gás na botija.
4. Para acender, pressione e rode o botão do queimador para HIGH. Pressione e segure imediatamente o botão de **IGNIÇÃO ELETRÓNICA** até que o queimador se acenda.
5. Se a ignição NÃO ocorrer em 5 segundos, desligue os controlos do queimador na posição ○, aguarde 5 minutos e repita o processo de ignição.
6. Repita os passos 4 e 5 para acender os outros queimadores principais.

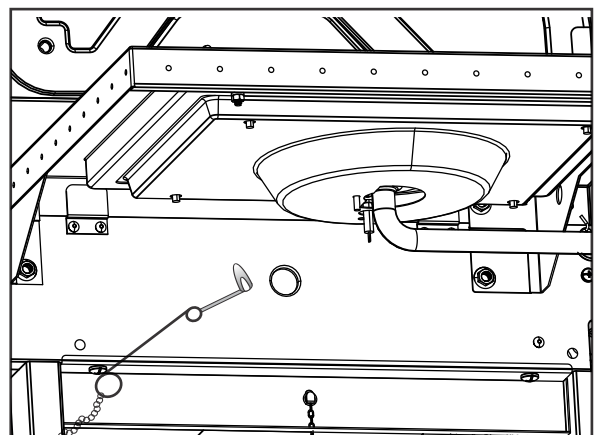
	AVISO	
<p>Desligue os controlos e a botija de gás quando fora de uso. Desligue os controlos e o cilindro de gás quando não estiverem em uso.</p> <p>Certifique-se de que, quando conectada, a mangueira não toque em nenhuma superfície quente.</p>		

	ATENÇÃO	
<p>Se a ignição NÃO ocorrer em 5 segundos, desligue os controlos do queimador, aguarde 5 minutos e repita o processo de ignição. Se o queimador não se acender com a válvula aberta, o gás continuará a fluir e pode acender-se acidentalmente, com risco de lesões.</p>		

Acender com fósforos

- Não se incline sobre o grelhador ao acendê-lo.

1. Posicione as válvulas de controlo dos queimadores em ○ (off - desligado).
2. Abra a tampa ao acender ou re-acender.
3. LIGUE o gás na botija.
4. Coloque o fósforo no suporte de fósforos (pendurado no painel lateral do grelhador). Acenda o fósforo, e em seguida acenda o queimador ao introduzir o fósforo através do furo de ignição com fósforo na lateral do grelhador. Pressione e rode imediatamente o botão do queimador para a posição HIGH. Assegure-se de que o queimador acendeu e se mantém aceso.
5. Acenda os queimadores adjacentes sequencialmente, ao pressionar os botões e rodá-los para a posição HIGH.



Queimador Iluminação do Ignitor

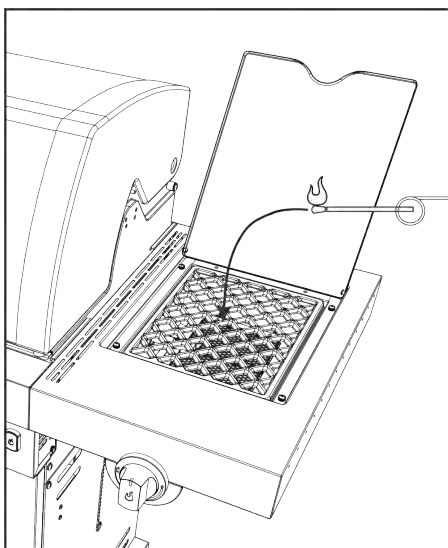
Não se incline sobre a churrasqueira enquanto acende.

1. Gire as válvulas de controle do queimador de gás para OFF.
2. Abra a tampa durante a iluminação ou reacendimento.
3. LIGUE o gás no botijão.
4. Gire o botão do Queimador para a posição HIGH, pressione e segure o botão IGNITOR ELETRÔNICO.
5. Se o Queimador NÃO acender em 5 segundos, gire o botão para OFF, aguarde 5 minutos e repita o procedimento de acendimento.

Queimador Iluminação de fósforo

Não se incline sobre a churrasqueira enquanto acende.

1. Gire as válvulas de controle do queimador de gás para OFF.
2. Abra a tampa durante a iluminação ou reacendimento.
3. LIGUE o gás no botijão.
4. Coloque o fósforo aceso perto do queimador. Rode imediatamente o Queimador para a posição HIGH. Certifique-se de que o queimador acende e permanece aceso.



Testar Fugas em Válvulas, Mangueira e Redutor

Desligue sempre o gás na botija depois de fazer o teste de fugas. Faça o teste de fugas antes da primeira utilização, pelo menos uma vez por ano, e a cada vez que trocar ou desligar uma botija.

1. Rode todos os botões de controle do aparelho para O.
2. Assegure-se de que o redutor está firmemente ligado à botija de gás.
3. Ligue o Gás. Se ouvir um som de vento, desligue imediatamente o gás. Existe uma fuga importante na ligação. Corrija antes de prosseguir,
4. Esfregue uma solução de sabão (mistura de uma parte de sabão e uma parte de água) nas ligações da mangueira.
5. Se aparecerem bolhas crescentes, existe uma fuga. Desligue o gás na botija imediatamente e verifique a firmeza das ligações. Se não for possível estancar a fuga, não tente repará-la. Ligue a encomendar peças de substituição.

ATENÇÃO

ALERTA DE ARANHAS

ARANHAS E TEIAS DENTRO DO QUEIMADOR

Se o seu grelhador está com dificuldades em acender-se ou se a chama estiver fraca, verifique e limpe os venturis e queimadores.

Aranhas ou pequenos insetos são causas conhecidas de problemas de “flashback”, ao construir ninhos e por ovos dentro do venturi ou queimador dos grelhadores, obstruindo assim a passagem do gás. O gás preso pode entrar em combustão por detrás do painel de controlo. Este flashback pode danificar o seu grelhador e provocar lesões. Para prevenir flashbacks e assegurar um bom desempenho, a montagem do queimador e tubo de venturi devem ser removidas e limpas sempre que o grelhador tenha estado parado por um grande período de tempo.

SE O APARELHO NÃO LIGAR

- Assegure-se que o gás está ligado na botija.
- Make sure there is gas in the cylinder. Assegure-se de que há gás na botija.
- O dispositivo de ignição faz um som de clique?
- Se sim, verifique a faísca no queimador.
- Se não houver faísca verifique se os fios estão soltos ou danificados.
- Se os fios estiverem bem, verifique se o elétrodo está rachado ou partido, e substitua se necessário.
- Se os fios ou elétrodos estiverem cobertos por resíduos de cozinhados, limpe a ponta do elétrodo com um lenço embebido em álcool se necessário.

Assegure-se de que a bateria está corretamente instalada.

- Verifique se a ligação dos fios está frouxa no módulo e no interruptor.
- Se o dispositivo de ignição continuar a não funcionar, use um fósforo.
- Se necessário, substitua os fios.
- Se não houver som, verifique a bateria.

Limpeza do Conjunto do Queimador

Siga estas instruções para limpar e/ou substituir peças do conjunto do queimador, ou se tiver problemas a ligar o grelhador.

1. Desligue o gás nos botões de controlo e na botija de gás
2. Remova as grelhas de cozinhar e os distribuidores de chama.
3. Remova os tubos de transporte e as ferragens que apertam os queimadores.
4. Desprenda o elétrodo do queimador.

NOTA: O método para remover/desprender irá depender da configuração do queimador. Veja as diferentes configurações nas ilustrações abaixo.

5. Levante cuidadosamente cada queimador e afaste-o das aberturas das válvulas. Sugerimos-lhe três formas de limpar os tubos dos queimadores. Use a que lhe for mais fácil.

A. Dobre um arame duro (um cabide leve funcionará bem) em forma de gancho pequeno. Passe o gancho através de cada tubo de queimador várias vezes.



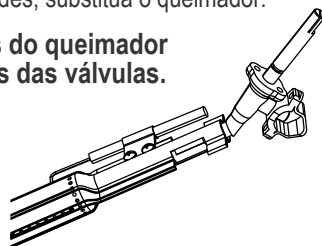
B. Use escovilhão de garrafas estreito com uma pega flexível (não use uma escova de latão). Passe o escovilhão através do tubo do queimador várias vezes.

C. Use proteção ocular: Use uma mangueira de ar para forçar o ar a entrar no tubo do queimador e a sair pelas entradas do queimador. Verifique cada entrada para assegurar que sai ar de cada furo.

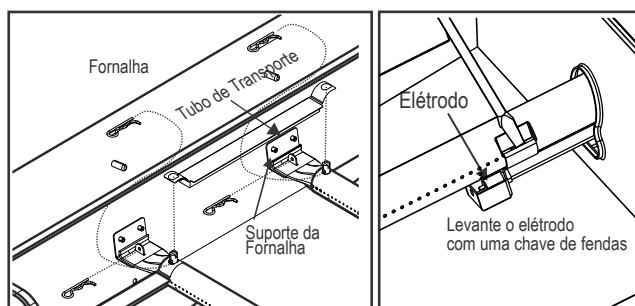
6. Escove toda a superfície exterior do queimador para remover sujidades e resíduos de comida.
7. Limpe todas as entradas bloqueadas com um arame duro, como, por exemplo, um clipe de papel aberto
8. Verifique se existem danos no queimador devido à sua normal utilização e corrosão. Alguns furos podem ter-se alargado. Se encontrar rachas ou buracos grandes, substitua o queimador.

MUITO IMPORTANTE: Os tubos do queimador devem reencaixar nas aberturas das válvulas. Veja a ilustração à direita.

**Encaixe correto
Válvula-Queimador**



9. Fije el electrodo al quemador.
10. Reemplace los quemadores cuidadosamente.
11. Fije los quemadores con soportes a la caja de fuego.
12. Posicione de nuevo los tubos de transferencia y acople los quemadores. Reemplace los difusores de calor y las parillas de cocción.
13. Antes de cocinar nuevamente en la barbacoa, realice una "Prueba de fugas" y una "Comprobación de llama del quemador".



Guardar o Seu Aparelho

- Limpe as grelhas de cozinhar.
 - Guarde-o num sítio seco.
 - Quando a botija de gás estiver ligada ao aparelho, guarde-o no exterior, numa área bem ventilada e fora do alcance das crianças.
 - Cubra o aparelho se o guardar no exterior.
 - Guarde o aparelho no interior **SOMENTE** se a botija de gás estiver desligada (nela própria e do aparelho), retirada do aparelho e guardada no exterior.
 - Quando retirar o aparelho do sítio onde estava guardado, verifique se há obstruções nos queimadores
- Al sacar el aparato del almacenamiento, revise que no haya obstrucciones en los quemadores.

Limpeza geral de eletrodomésticos

A limpeza periódica desta churrasqueira é necessária, pois podem ocorrer incêndios na churrasqueira quando a gordura e os resíduos de alimentos se acumulam no fundo da churrasqueira. Após cada uso, remova quaisquer partículas de alimentos restantes da grelha de cozimento e de dentro da grelha usando uma escova Char-Broil Cool-Clean. Mais tarde você pode borrifar o limpador de grelha Char-Broil generosamente na grelha, deixe agir por 10 minutos e limpe com um pano úmido ou escova. execute a limpeza da churrasqueira depois que ela esfriar.

• Não confunda o acúmulo marrom ou preto de graxa e fumaça com tinta. Os interiores das churrasqueiras a gás não são pintados na fábrica (e nunca devem ser pintados). Aplique uma solução forte de detergente e água ou use um limpador de eletrodomésticos com escova na parte interna da tampa e na parte inferior do eletrodoméstico. Enxágüe e deixe secar completamente ao ar. Não aplique aparelho cáustico / limpador de forno em superfícies pintadas.

• Peças de plástico: lave com água morna e sabão e seque. Não use produtos de limpeza abrasivos, desengordurantes ou um produto de limpeza concentrado para eletrodomésticos nas peças de plástico. Podem ocorrer danos e falhas nas peças.

• Superfícies de porcelana: por causa da composição semelhante à do vidro, a maioria dos resíduos pode ser removida com solução de bicarbonato de sódio / água, limpador de vidro ou limpador de grelha para grelhar. Use pó de limpeza não abrasivo para manchas difíceis.

• Superfícies pintadas: lave com detergente neutro ou limpador e água morna com sabão ou limpador de grelha para grelhar. Seque com um pano macio
pano não abrasivo.

• Superfícies de cozimento: Certifique-se de que nenhuma cerda solta permaneça nas superfícies de cozimento antes de grelhar. Enquanto a grelha estiver quente, é recomendado apenas limpar as superfícies de cozimento usando a cabeça de substituição Char-Broil Hot-Clean (na escova Char-Broil Cool-Clean Premium).



Configuração LIMPA

Sua churrasqueira está equipada com uma configuração inovadora CLEAN que permite limpeza da grade sem complicações. O alto calor gerado pelos queimadores transformará todos os restos de comida em cinzas. Siga esses passos:

- Depois de terminar de grelhar, ajuste todos os queimadores principais para a configuração LIMPA e permaneça por aproximadamente 12 - 15 minutos
- Após aproximadamente 12 a 15 minutos, ajuste todos os queimadores principais para a configuração DESLIGADO e deixe a churrasqueira esfriar
- Assim que a grelha estiver fria, use uma escova Char-Broil Cool-Clean para remover qualquer resíduo restante e descarte as cinzas
- Para obter resultados com brilho extra, use o limpador de grelha para grelhar no carvão como última etapa. Pulverize generosamente sobre a grelha, deixe agir por 10 minutos e limpe com um pano úmido ou escova.

**DATOS TÉCNICOS
CHAR-BROIL, LLC**

Nome do Aparelho	Churrasqueira a Gás/Grelhador a gás			
Caudal Térmico Nominal Total	9.67 kW (704 g/h)		9.67 kW (704 g/h)	
Categoria de Gás	I3+(28-30/37)	I3B/P(30)	I3B/P(50)	
Model No.	468972023		468782023	
Tipo de Gás	Butano	Propano	Butano, Propano ou mistura deles	Butano, Propano ou mistura deles
Pressão de Gás	28-30 mbar	37 mbar	30 mbar	50 mbar
Tamanho do Injetor (Ø. mm)	Grelhador: 0,86 x 2 pcs		Grelhador: 0,86 x 2 pcs	Grelhador: 0,75 x 2 pcs
Queimador	0,91 x 1 pcs		0,91 x 1 pcs	
Tamanho do Injetor (Ø. mm)	0,91 x 1 pcs		0,91 x 1 pcs	
Países de destino	GB, FR, BE, ES, IT, PT, CZ, SK, CH, CY, GR, IE, LT, LU, LV, SI	DK, NO, NL, SE, FI, IS, CZ, IT, SK, BG, CY, EE, HR, HU, LT, LU, LV, MT, RO, SI, TR	AT, DE, CH, LU, SK	

Aço inoxidável

Existem muitos tipos diferentes de materiais (ligas) que são consideradas aço inoxidável.

Um traço comum a estes diferentes tipos é que eles podem corroer-se (oxidar), dependendo das condições a que estão sujeitos.

Isto aplica-se também ao seu novo grelhador.

Para garantir que o seu grelhador mantém o seu aspeto e funcionalidade por muitos anos, por favor, siga os conselhos abaixo.

- 1) Se o grelhador ficou molhado ou húmido, assegure-se de o secar usando um pano, para prevenir a corrosão da superfície.
- 2) O aço inoxidável pode enferrujar-se em certas condições. Isto pode ser causado por condições ambientais, tais como água salgada ou com cloro, ou por ferramentas de limpeza inapropriadas, tais como arame ou palha-de-aço. Pode também descolorar-se devido ao calor, químicos ou acumulação de gordura.
- 3) Para manter a aparência de alta qualidade do seu aparelho, lave-o com um detergente suave e água com sabão, secando-o com um pano macio depois de cada utilização. Depósitos de gordura cozinhada podem exigir que seja usado um pano de limpeza abrasivo de plástico. Use somente na direção dos veios do acabamento escovado para evitar danos. Não use panos abrasivos nas áreas com gráficos.
- 4) Unte as partes internas do grelhador e das grelhas com óleo de cozinha.

Por favor, tenha em atenção:

Para evitar arranhar a superfície, causando assim uma base para a ferrugem, nunca use palha-de-aço ou produtos semelhantes quando limpar aço inoxidável.

Quando limpar, trabalhe na mesma direção do acabamento escovado do aço inoxidável – ‘acompanhando o veio’.

Limpar com abrasivos pode deixar riscos.

Guardar o grelhador perto da costa, de uma piscina ou de um spa irá causar a corrosão (oxidação) do mesmo.

Cubra o seu barbecue para protegê-lo da ferrugem.

INSTALLATØR/MONTØR:

Efterlad denne vejledning hos kunden.

KUNDE:

Opbevar denne vejledning til senere brug.

Spørgsmål:

Hvis du har spørgsmål under monteringen eller om brugen af dette apparat, skal du kontakte din lokale forhandler.

FARE

Hvis du kan lugte gas:

1. Sluk for gassen til apparatet.
2. Sluk eventuelle flammer.
3. Åbn låget.
4. Hvis lugten fortsætter, skal du holde dig væk fra apparatet og øjeblikkeligt ringe til din gasleverandør eller brandvæsenet.

ADVARSEL

1. Undgå at opbevare eller anvende benzin eller andre brændbare væsker i nærheden af dette eller noget andet apparat.
2. En gasflaske, der ikke er tilsluttet til brug, må ikke opbevares i nærheden af dette eller noget andet apparat.

FORSIGTIG

- Læs og følg alle sikkerhedsanvisninger, monteringsvejledninger og retningslinjerne for brug og pleje, inden du forsøger at montere og tilberede mad.
- Nogle dele kan indeholde skarpe kanter. Det anbefales at iføre sig beskyttelseshandsker

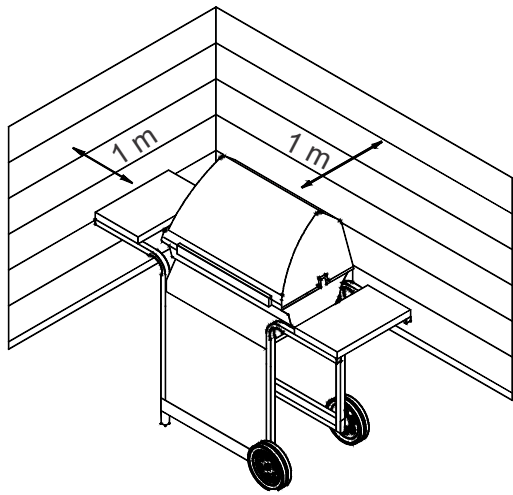
Fedtbrænde

- Det er ikke muligt at slukke fedtbrænde ved at lukke låget. En grill er velventileret for sikkerhedsmæssige årsager.
- Hæld ikke vand på en fedtbrand, det kan medføre Hvis en vedvarende fedtbrand udvikles, skal du slå drejeknapper og gasflaske fra.
- Hvis apparatet ikke regelmæssigt rengøres, kan der opstå en fedtbrand, der kan beskadige produktet. Vær meget opmærksom under forvarmning eller afbrænding af madrester for at sikre, at en fedtbrand ikke Følg anvisningerne om generel rengøring af apparatet og rengøring af brænderanordningen for at forhindre fedtbrænde. Den bedste måde at forhindre fedtbrænde er regelmæssig rengøring af apparatet.
- Efterlad ikke grillen uden opsyn under forvarmning eller afbrænding af madrester på HI. Hvis apparatet ikke regelmæssigt rengøres, kan der opstå en fedtbrand, der kan beskadige produktet.

ADVARSEL

For sikker brug af apparatet og for at undgå
• **KUN TIL UDENDØRS BRUG. MÅ ALDRIG BRUGES INDENDØRS.**
Læs anvisningerne før du bruger apparatet.
Følg altid anvisningerne.

- Flyt ikke apparatet under brug.
- Tilgængelige dele kan være meget varme. Hold små børn væk. Lad ikke børn betjene eller lege i nærheden af apparatet.
- Sluk for gasforsyningen på flasken efter brug.
- Dette apparat skal holdes væk fra brændbare materialer under brug.
- Bloker ikke hullerne i siderne eller på bagsiden af apparatet.
- Tjek brænderflammer regelmæssigt.
- Bloker ikke venturirør på brænderen.
- Brug kun apparatet i velventilerede rum. Må ALDRIG bruges i lukkede rum såsom carport, garage, veranda, overdækket terrasse, eller anden overdækkede struktur.
- Brug ikke kul eller keramiske briketter i et gasapparat.
- **Tildæk IKKE** riste med aluminiumsfolie eller andet materiale. Dette vil blokere brænderventilation og udgøre en potentielt farlig tilstand, der kan resultere i materielskade og/eller personskade.
- **Brug apparatet min. 1 m fra enhver væg eller overflade.**
- Oprethold en sikkerhedsafstand på 3 m til objekter, der kan antændes eller antændelseskilder såsom kontrollamper på vandvarmere



- Forsøg ALDRIG at tænde brænder med låget lukket. af uantændt gas inde i et lukket apparat er farligt.
- Sluk altid for gassen på flasken og framontér regulatoren, før gasflasken flyttes fra den angivne betjeningsposition.
- Betjen aldrig apparatet, hvis gasflasken ikke er på den korrekte angivne position.
- Apparatet må ikke modificeres. Enhver ændring er strengt forbudt. Forseglede dele må ikke manipuleres af brugeren. Du må ikke adskille injektorer.

Råd om sikkerhed

- Før du åbner gasflaskeventilen, skal du tjekke, at regulatoren er tætsluttende.
- Når apparatet ikke er i brug, skal alle knapper og gassen slås fra.
- Brug langskaftede grillredskaber og grydelapper for at undgå forbrændinger og stænk. Brug beskyttelseshandsker ved håndtering af varme dele.
- Maksimal belastning for varmeplade (hvis sådan findes) og sidehylde er 4,5 Gryde dia. på minimum 200 mm and maksimumBEMÆRK: Din grill er muligvis ikke udstyret med en varmeplade!
- Fedtskålen (hvis sådan findes) skal indsættes i apparatet og tømmes efter hvert brug. Fjern kke fedtskålen, før apparatet er helt afkølet.
- Vær forsigtig når du åbner låget, da der kan opstå varm damp.
- Vær forsigtig, når børn, ældre, eller kæledyr er i nærheden.
- Hvis du bemærker fedt eller andet varmt materiale, der drypper fra apparatet på ventil, slange eller regulator, skal du slukke for gasforsyningen med det samme. Find årsagen, ret den, derefter rengør og inspicer ventil, slange og regulator, før du fortsætter.
- Udfør en lækagetest.
- Opbevar ikke genstande eller materialer inden i apparatets kabinet, der kan blokere for strømmen af forbrændingsluft på undersiden af enten kontrolpanelet eller brændkammerets skål.
- Framontér IKKE eller skift gasbeholder indenfor en afstand på 3 m fra åben ild eller andre antændelseskilder.

Placering af flaske

Cylindre, der er anbragt i apparatet, skal have en maksimal diameter på 340 mm og en maksimal højde inklusive regulator på 580 mm. Større cylindre skal kun placeres under sidehylden eller bag grillen. Cylindre, der er anbragt på jorden, må ikke placeres under kogepladen.


Krav for regulator

En regulator skal anvendes med dette apparat. Brug kun gasregulator der medfølger grillen. Hvis en regulator ikke medfølger, skal du kun bruge en regulator, der er certificeret i henhold til EN16129 (strømningshastighed maks. 1,5 kg/t) og godkendt til dit land og gas, der angives i tekniske data.

Krav for slange

Brug kun godkendte slanger, der er certificeret til passende DA standard og ikke overstiger en længde på 1,5 m. Slangens længde må ikke overstige 1,2 m i Finland. Før hver anvendelse skal du tjekke, om slangerne er beskadigede eller slidte. Sørg for, at der ikke er knæk på slangen. Sørg for at slangen ikke rører nogen varme overflader under tilslutning. Udskift beskadigede slanger, før du bruger apparatet. Udskift slangen i henhold til nationale krav.

Antænding

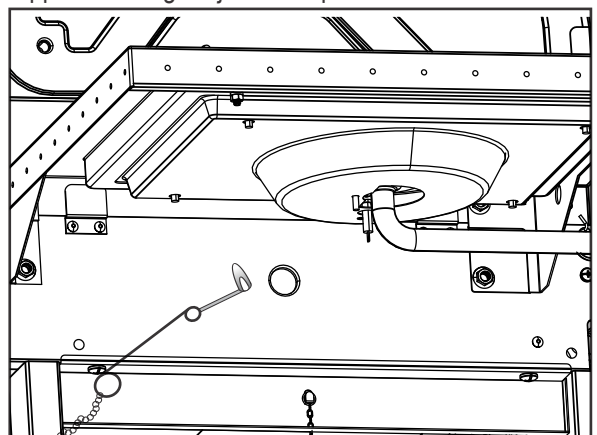
- **Læn ikke over grillen under antænding.**
1. Slå gasbrænderens kontrolventiler O (fra).
 2. Åbn låg under antænding eller genantænding.
 3. Slå gassen TIL på LP-flaskan.
 4. For at antænde skal du skubbe og dreje brænderknappen til  HIGH. Omgående tryk og hold ELECTRONIC IGNITOR-knappen nede, indtil brænderen tændes.
 5. Hvis antænding IKKE sker inden 5 sekunder, skal du slå brænderknapperne fra O , vente 5 minutter og gentage antændelsesproceduren.
 6. Gentag trin 4 og 5 for at tænde andre hovedbrændere.

	ADVARSEL	
<p>Slå knapper og gasflaske fra, når den ikke er i brug. Sluk for betjeningselementer og gasflasker, når de ikke er i brug. Sørg for, at når tilsluttet slange ikke berører varme overflader.</p>		

	FORSIGTIG	
<p>Hvis antænding IKKE sker inden 5 sekunder, skal du slå brænderknapperne O fra, vente 5 minutter og gentage antændelsesproceduren. Hvis brænderen ikke antændes med ventilen åben, vil der fortsat strømme gas ud af brænderen og kan ved et uheld antændes med risiko for skader.</p>		

Tændstiksantænding

- **Læn ikke over grillen under antænding.**
1. Slå gasbrænderens kontrolventiler O (fra).
 2. Åbn låg under antænding eller genantænding.
 3. Slå gassen TIL på LP-flaskan.
 4. Placér tændstik i tændstikholderen (hængende fra grillens sidepanel). Stryg tændstikken, derefter antænd brænderen ved at placere tændstikken gennem antændingshullet på siden af grillen. skub og drej brænderhåndtaget til positionen  HIGH. Vær sikker på, at brænderen antændes og forbliver antændt.
 5. Antænd tilstødende brændere fortløbende ved at trykke knapperne ind og dreje dem til positionen  HIGH.

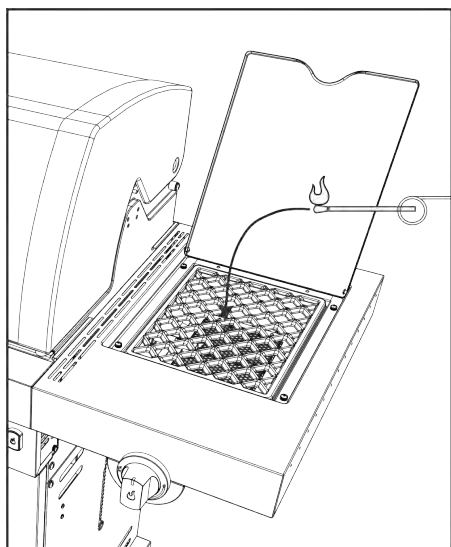


Sårende brænder Tændbelysning Læn dig ikke over grillen under belysning.

1. Drej gasbrænderens kontrolventiler til OFF.
2. Åbn låget under belysning eller genbelysning.
3. Tænd for gas på LP-cylinder.
4. Drej Sårende brænder knappen til HIGH position, tryk og hold knappen ELEKTRONISK TÆNDING.
5. Hvis Sårende brænder IKKE tændes inden for 5 sekunder, skal du dreje knappen til OFF, vente 5 minutter og derefter gentage belysningsproceduren.

Sårende brænder tændstik belysning Læn dig ikke over grillen under belysning.

1. Drej gasbrænderens kontrolventiler til OFF.
2. Åbn låget under belysning eller genbelysning.
3. Tænd for gas på LP-cylinder.
4. Placer tændt tændstik nær brænderen. Drej straks Sårende brænder knappen til HIGH-positionen. Sørg for, at brænderen lyser og forbliver tændt.



Lækagetestning af ventiler, slange og regulator

Lækagetest skal ske før første ibrugtagning mindst en gang om året, og hver gang gasflasken udskiftes eller framonteres.

1. Drej alle apparatets knapper til O .
2. Vær sikker på, at regulatoren tilsluttes tæt på gasflasken.
3. Tænd for gassen. Hvis du hører en susende lyd, skal du slukke for gassen. Der findes en større lækage ved forbindelsen. Skaden skal udbedres, før du fortsætter.
4. Børst en sæbeopløsning (blanding af halvt sæbe og halvt vand)
5. Hvis der opstår bobler, findes der en lækage. på flasken og tjek efter om, forbindelserne er tætsluttende. lækagen ikke kan stoppes, skal du ikke prøve at reparere. Ring efter reservedele. Børst en sæbeopløsning (blanding af halvt sæbe og halvt vand)
6. Sluk altid for gassen på flasken efter udførelse af lækagetest.



FORSIGTIG



EDDERKOPPEVARSEL!

EDDERKOPPER OG SPINDELVÆV INDE I



Hvis din grill er svær at antænde, eller flammen er svag, skal du kontrollere og rengøre venturierne og brændere.

Edderkopper eller små insekter er kendte for at skabe "flashback" problemer ved at opbygge rede og lægge æg i grillens venturi eller brænder, hvilket blokerer gasstrømmen. Den tilbageholdte gas kan antændes bag kontrolpanelet. Denne flashback kan skade din grill og medføre ulykker. For at forebygge flashbacks og sikre god funktion, bør brænderen og venturirørsamlingen tages af og renses, når grillen ikke er blevet brugt i længere tid.

HVIS APPARATET IKKE KAN ANTÆNDES

- Vær sikker på, at der er tændt for gassen på flasken.
- Vær sikker på, at der er gas i flasken.
- Kommer der lyde af gnister fra tændersystemet?
Hvis ja, se om der er gnister ved brænderen.
Hvis der ikke er gnister, skal du tjekke efter, om der er beskadigede eller løse ledninger.
- Hvis ledningerne er OK, skal du tjekke efter for revnede eller ødelagte elektroder, udskift hvis der er behov for det.
- Hvis en ledning eller elektroder er fyldt med madrester, skal du, hvis der er behov for det, rengøre elektrodespidsen med en klud dyppet i sprit.
- Udskift ledninger efter behov.
- Hvis der ikke er nogen lyd, skal du tjekke batteriet.
- Sørg for at batteriet er installeret korrekt.
- Tjek efter for løse ledningsforbindelser på modul og omskifter.
- Hvis tændersystemet stadig ikke virker, skal du bruge tændstiksantænding.

Sådan rengøres brænderanordningen

Følg disse anvisninger for rengøring og/eller udskiftning af dele af brændersamlingen, eller hvis du har problemer med at antænde grillen.

1. **Sluk for gassen på knapperne og LP-flasken.**
2. Fjern tilberedningsriste og varmetelte.
3. Fjern overføringsrør og komponenter, der holder brænderne fast.
4. Afmonter elektrode fra brænderen.

BEMÆRK: Fjernelses-/adskillelsesmetode afhænger af brænderkonfigurationen. Se forskellige konfigurationer i nedenstående illustrationer.

5. Løft forsigtigt hver brænder op og væk fra ventilåbninger. Vi anbefaler tre måder at rengøre brænderrørerne. Brug den metode, du finder lettest at anvende.

A. Bøj en stiv wire (en let bøjle fungerer godt) Kør kroge igennem hvert brænderrør flere gange.



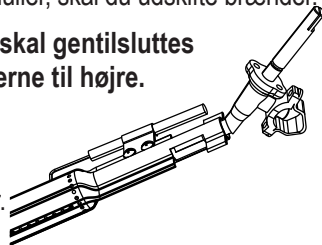
B. Brug en smal flaskebørste med et fleksibelt håndtag (brug ikke en stålbørste). Kør børsten igennem hvert brænderrør flere gange.

C. Anvend øjenbeskyttelse: Brug en luftslange til at tvinge luft ind i brænderrøret og ud af brænderudgangene. Tjek hver udgang for at sikre, at der kommer luft ud af hvert hul.

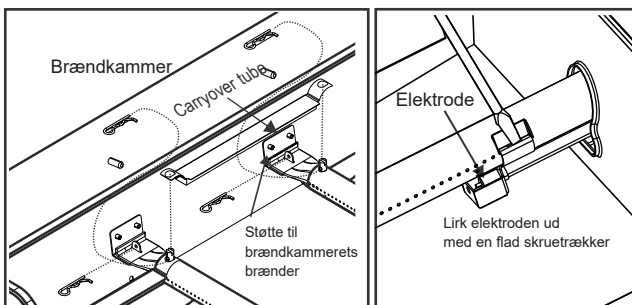
6. Brug en stålbørste på hele yderside af brænderen for at fjerne madrester og snavs.
7. Rengør alle blokerede udgange med en stiv wire såsom en udfoldet papirclips.
8. Tjek brænderen efter for skader som følge af almindelig slitage og nedbrydning, nogle huller kan blive udvidede. Hvis der findes store revner eller huller, skal du udskifte brænder.

MEGET VIGTIGT: Brænderrør skal gentilsluttes ventilåbninger. Se illustrationerne til højre.

Korriger brænderens tilslutning til ventil



9. Fastgør elektrode til brænder.
10. Udskift forsigtigt brændere.
11. Montér brændere på brændkammerets beslag.
12. Flyt overføringsrørene og tilslut dem til brændere. Udskift varmetelte og grillriste.
13. Før du griller igen, skal du udføre en "lækagetest" og "Kontrol af brænderflamme"



Opbevaring af dit apparat

- Rengør grillriste.
- Opbevares på et tørt sted.
- Når gasflasken tilsluttes apparatet, skal det opbevares udendørs i et velventileret område og uden for børns rækkevidde.
- Tildæk apparatet, hvis det opbevares udendørs.
- Opbevar KUN apparatet indendørs, hvis der er slukket for gasflasken, og den er framonteret og fjernet fra apparatet og opbevares udendørs.
- Når du henter apparatet fra opbevaringen, skal du tjekke efter for brænderblokeringer.

Generel rengøring af apparater

Periodisk rengøring af denne grill er nødvendig, da der kan opstå grillbrande, når fedt og madrester samles i bunden af grillen. Fjern alle resterende madpartikler fra madristen og indersiden af grillen efter hver brug ved hjælp af en Char-Broil Cool-Clean børste. Bagefter Du kan sprøjte Char-Broil Grate Cleaner generøst på risten, lade det arbejde i 10 minutter og tørre af med en våd klud eller børste.

• Tag ikke fejl i brun eller sort ophobning af fedt og røg til maling. Interiør af gasgrill er ikke malet på fabrikken (og bør aldrig males). Påfør en stærk opløsning af vaskemiddel og vand, eller brug et apparatrens med skrubbebørste på indersiden af apparatets låg og bund. Skyl og lad det lufttørre helt. Anvend ikke kaustisk apparat / ovenrengøringsmiddel på malede overflader.

• Plastdele: Vask med varmt sæbevand og tør det af. Brug ikke slibende rengøringsmidler, affedtningsmidler eller et koncentreret rengøringsmiddel på plastikdele. Det kan resultere i beskadigelse af og svigt af dele.

• Porcelænoverflader: På grund af glaslignende sammensætning kan de fleste rester tørres væk med bagepulver / vandopløsning, glasrens eller Char-Broil Grate Cleaner. Brug ikke-slibende skurepulver til stædige pletter.

• Malede overflader: Vask med mildt rengøringsmiddel eller rengøringsmiddel og varmt sæbevand eller Char-Broil Grill Cleaner. Tør af med en blød



ikke-slibende klud.

• Tilberedningsflader: Sørg for, at der ikke er løse børstehår tilbage på tilberedningsfladerne før grillning. Mens grillen er varm, anbefales det kun at rengøre madlavningsflader ved hjælp af Char-Broil Hot-Clean udskiftningshovedet (på Char-Broil Cool-Clean Premium-børsten). RENE indstilling

Din grill er udstyret med en innovativ REN indstilling, der giver mulighed for problemfri grillrengøring. Den høje varme, der genereres fra brænderne, vil gøre alt resterende madrester til aske.

Følg disse trin:

- Når du er færdig med at grille, skal du justere alle hovedbrændere til CLEAN-indstillingen og forblive i cirka 12 - 15 minutter
- Efter ca. 12 - 15 minutter skal alle hovedbrændere indstilles til OFF og tillader grillen at køle af
- Når grillen er kølig, skal du bruge en Char-Broil Cool-Clean børste til at fjerne resterende snavs og bortskaffe asken
- For at få ekstra skinnende resultater skal du bruge Char-Broil Grate Cleaner som et sidste trin. Sprøjt generøst på risten, lad det arbejde i 10 minutter og tør det af med en våd klud eller børste.

TEKNISKE DATA
CHAR-BROIL, LLC

Apparatnavn	Gasgrill			
Samlet nominel varmetilførsel	9.67 kW (704 g/h)		9.67 kW (704 g/h)	
Gaskategori	I3+(28-30/37)	I3B/P(30)	I3B/P(50)	
Modelnr.	468972023		468782023	
Gastype	Butan	Propan	Butan, propan eller blandinger	Butan, propan eller blandinger
Gastryk	28-30 mbar	37 mbar	30 mbar	50 mbar
Injektorstørrelse (dia. mm)	Grill: 0,86 x 2 stk.		Grill: 0,86 x 2 stk.	Grill: 0,75 x 2 stk.
Sårende brænder Injektorstørrelse (dia. mm)	0,91 x 1 pcs		0,91 x 1 pcs	0,81 x 1 pcs
Destinationslande	GB, FR, BE, ES, IT, PT, CZ, SK, CH, CY, GR, IE, LT, LU, LV, SI	DK, NO, NL, SE, FI, IS, CZ, IT, SK, BG, CY, EE, HR, HU, LT, LU, LV, MT, RO, SI, TR	AT, DE, CH, LU, SK	

Rustfrit stål

Der er mange forskellige typer (legeringer) materialer, der betragtes som rustfrit stål.

Et fælles træk ved disse forskellige typer er, at de kan korrodere (oxidere), afhængigt af de betingelser, de udsættes for.

Dette gælder også for din nye grill.

For at sikre at din grill bevarer sit udseende og funktionalitet i mange år, skal du følge nedenstående råd.

- 1) Hvis grillen er blevet våd eller fugtig, så sørg for at tørre den af med en klud for at forhindre overfladekorrosion.
- 2) Rustfrit stål kan ruste under visse betingelser. Dette kan være forårsaget af miljømæssige forhold, såsom klor eller saltvand eller forkert rengøringsværktøj som ståltråd eller ståluld. Den kan også misfarves på grund af varme, kemikalier eller fedtopbygning.
- 3) For at bevare dit udstyrs høj kvalitetsudseende skal du vaske med mildt vaskemiddel og varmt sæbevand og tørre efter med en blød klud efter hver gang. Fastbrændte fedtaflejringer kan nødvendiggøre brug af en slibende plast rengøringsvamp. Brug den kun i samme retning som den børstede finish for at undgå skader. Brug ikke skuresvamp på områder med grafik.
- 4) Smør de indre dele af grillen og ristene med madolie.

Bemærk venligst:

Brug aldrig ståluld eller lignende til rengøring af rustfrit stål for at undgå at ridse overfladen og give et grundlag for rust.

Ved rengøring bør du arbejde i samme retning, som det rustfrie stål blev børstet i "langs årener".

Rengøring med slibemidler kan efterlade ridser.

Opbevaring af grill i nærheden af ??en kyst, svømmebassin eller spa vil få grillen til at korrodere (oxidere).

Dæk din grill til for bedst rustbeskyttelse.

INSTALLATØR/MONTØR:

Legg igjen denne bruksanvisningen hos brukeren.

BRUKER:

Behold denne bruksanvisningen for fremtidig referanse.

Spørsmål:

Ta kontakt med forhandleren hvis du har spørsmål mens du setter sammen eller bruker apparatet.



FARLIG



Dersom du lukter gass:

1. Steng av strømmen til apparatet.
2. Slukk flammene.
3. Åpne dekselet.
4. Dersom det fortsatt lukter gass, må du holde deg på avstand fra apparatet og ringe strømleverandøren din eller brannvesenet.



ADVARSEL



1. Ikke oppbevar bensin eller andre brennbare væsker i nærheten av dette eller andre apparater.
2. En gassflaske som ikke er tilkoblet må ikke lagres i nærheten av dette eller andre apparater.



FORSIKTIG



- Les og følg sikkerhetserklæringene, monteringsinstruksjonene og bruk- og vedlikeholdsanvisningene før du monterer apparatet eller begynner å lage mat.
- Noen deler kan ha skarpe kanter. Vi anbefaler å bruke vernehansker.

Fettbrann

- Det er ikke mulig å slukke fettbranner ved å lukke lokket. Grillen er godt ventilert av sikkerhetsmessige årsaker.
- Du må ikke helle vann på fettbrann, da dette kan føre til personskader. Dersom en fettbrann utarter seg, må du stenge av knappene og skru av gassflasken.
- Hvis apparatet ikke rengjøres regelmessig, kan det oppstå fettbrann som potensielt kan skade produktet. Vær oppmerksom når du forvarmer eller brenner vekk matrester, for å forsikre deg om at det ikke oppstår fettbrann. Følg instruksjonene for generell rengjøring og rengjøring av brenneren for å unngå fettbrann. Den beste måten å unngå fettbrann på, er ved å regelmessig rengjøre apparatet.
- Du må ikke la grillen stå ubevoktet under forvarming eller mens du brenner vekk matrester med HI-innstillingen. Dersom grillen ikke har blitt regelmessig rengjort, kan det oppstå en fettbrann som kan ødelegge produktet.



ADVARSEL

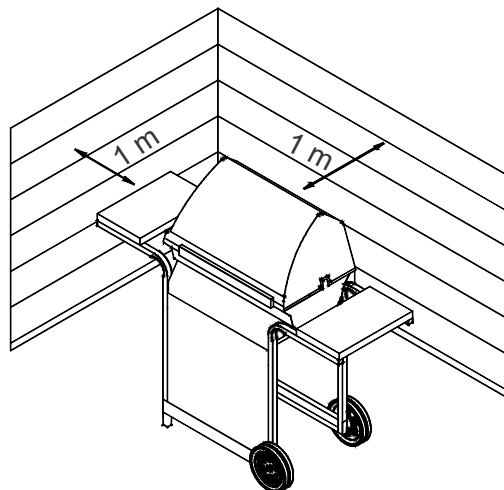


For sikker bruk av apparatet og for å unngå seriøse skader:

- **KUN FOR UTENDØRS BRUK. MÅ ALDRI BRUKES INNENDØRS.**

Les instruksjonsheftet før du bruker apparatet. Disse instruksjonene skal alltid følges.

- Du må ikke flytte apparatet mens det er i bruk.
- De tilgjengelige delene kan bli veldig varme. Hold yngre barn på avstand. Ikke la barn bruke eller leke i nærheten av apparatet.
- Slå av gassflasken etter bruk.
- Dette apparatet må holdes unna brennbare materialer når det er i bruk.
- Hullene på siden eller bak på apparatet må ikke dekkes til.
- Sjekk flammene regelmessig.
- Venturiåpningene på brenneren må ikke dekkes til.
- Grillen må kun brukes i et godt ventilert område. Må ALDRI brukes i avgrensede områder som garasjer, vestibyler, lukkede gårder eller under noen form for tildekket konstruksjon.
- Du kan ikke bruke trekull eller keramiske fyringsbriketter i et apparat som bruker gass.
- **IKKE DEKK TIL** ristene med aluminiumsfolie eller andre materialer. Dette fører til blokkering av ventilasjonen, og kan skape farlige situasjoner som kan føre til skade på eiendom og/eller personskade.
- Bruk apparatet minst én meter unna vegger eller andre overflater.
- Oppretthold minst tre meter til andre objekter som kan ta fyr, eller antenningskilder som tennflammer på varmtvannsberedere, påslått elektrisk utstyr osv.



- Forsøk ALDRI å slå på brenneren mens lokket er på. En oppsamling av ikke-påtent gass inne i apparatet er farlig.
- Du må alltid huske å skru av gassflasken og koble fra regulatoren før du flytter gassflasken fra den spesifiserte bruksposisjonen.
- Apparatet må aldri brukes mens gassflasken er i feil stilling.
- Du må ikke endre på apparatet. Alle former for endringer er strengt forbudt. Forseglede deler må ikke manipuleres av brukeren. Du må ikke demontere injektoren.

Sikkerhetstips

- Sjekk at regulatoren er tett før du åpner gassflaske-ventilen.
- Når apparatet ikke er i bruk, må alle kontrollknapper og gass slås helt av.
- Bruk grillutstyr med lange håndtak og grytekluter, slik at du unngår sprut og brannskår. Bruk vernehansker når du behandler varme deler.
- Maksimal total vekt for kokeplaten (hvis utstyrt) og sidehyllen er 4,5 kg. Kokekarets må ha en diameter på minimum 200 mm og maksimum 260 mm.
MERK: Grillen din er kanskje IKKE utstyrt med en kokeplate!
- Smørekoppen (hvis utstyrt) må bli satt inn i apparatet og tømt etter hvert bruk. Du må ikke fjerne smørekoppen før apparatet har blitt helt nedkjølt.
- Vær svært forsiktig når du åpner lokket, da varm damp kan sige ut.
- Vær svært forsiktig når det er barn, eldre eller dyr i nærheten.
- Hvis du ser at fett eller andre varme væsker fra apparatet drypper på ventilen, slangen eller regulatoren, må du slå av gassen umiddelbart. Finn ut hvorfor det drypper, fiks det og rengjør og inspiser ventilen, slangen og regulatoren før du fortsetter. Utfør en lekkasjetest.
- Du må ikke lagre objekter eller andre ting inni grillen som kan blokkere strømmen av forbrenningsluft til undersiden av enten kontrollpanelet eller askeskuffen i brennkammeret.
- Du må IKKE koble fra eller bytte gassflaske nærmere enn tre meter unna den åpne flammen eller andre tenningskilder.

Plassering av gassflasken

Sylindere plassert i apparatet skal ha en maksimal diameter på 340 mm og maksimal høyde, inkludert regulator, på 580 mm. Større sylindere skal bare plasseres under sidehyll eller bak grillen. Sylindere plassert på bakken skal ikke plasseres under kokeplaten.

Krav for regulatorer

En regulator må brukes sammen med dette apparatet. Bruk kun gassregulatorer som kom med grillen. Dersom det ikke følger med en regulator, kan du bruke en regulator som er sertifisert i henhold til EN16129 (Maks strømningshastighet på 1,5 kg per time) og godkjent for landet ditt, sammen med gassen som er spesifisert i de tekniske dataene.

Krav til slangen

Bruk kun godkjente slanger som er sertifiserte etter passende EN-standarder og ikke er lengre enn 1,5 meter. For Finland må ikke lengden overstige 1,2 meter.

Før hvert bruk må du sjekke slangen for brudd eller slitasje. Pass på at slangen ikke er bøyd. Pass på at slangen ikke berører varme overflater mens den er koblet til. Skift ut ødelagte slanger før du tar i bruk apparatet. Skift ut slanger etter hva nasjonale krav tilsier.

Antenningslys

- **Ikke len deg over grillen mens du tenner den.**
 1. Skru gassbrennerens kontrollventil til O (av).
 2. Åpne lokket under antenning eller når du antenner på nytt.
 3. Skru PÅ gassen på LP-gassflasken.
 4. Dytt inn og skru brennerknotten til O HIGH for å tenne. Trykk inn og holde inne og holde ELECTRONIC IGNITOR-knappen umiddelbart, til brenneren slår seg på.
 5. Dersom tenningen IKKE slår seg på innen fem sekunder, må du slå av O-brennerkontrollene, vente fem minutter og gjenta antenningsprosedyren.
 6. Gjenta trinn fire og fem for å tenne andre hovedbrennere.

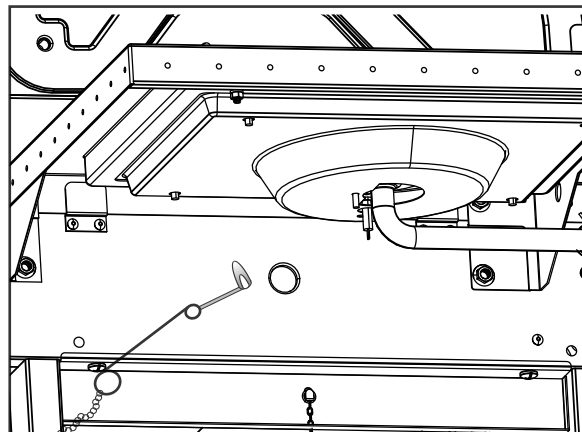
	ADVARSEL	
Slå av kontrollene og gassflasken når de ikke er i bruk. Slå av kontrollene og gassflasken når de ikke er i bruk. Forsikre deg om at når den tilkoblede slangen ikke berører varme overflater.		

	FORSIKTIG	
Dersom tenningen IKKE slår seg på innen fem sekunder, må du slå av O brennerkontrollene, vente fem minutter og gjenta antenningsprosedyren. Dersom brenneren ikke tenner når ventilen er åpen, vil gass fortsette å strømme ut av brenneren, ta fyr ved et uhell og forårsake personskader.		

Tenning av fyrstikker

Du må ikke lene deg over grillen mens du tenner den.

1. Skru gassbrennerens kontrollventil til O (av).
2. Åpne lokket under antenning eller når du antenner på nytt.
3. Skru PÅ gassen på LP-gassflasken.
4. Putt fyrstikken inn i fyrstikkholderen (som henger på sidepanelet på grillen). Tenn fyrstikken, deretter tenner du på brenneren ved å plassere fyrstikken gjennom fyrstikkhullet på siden av grillen. Trykk inn og dreie brennerknotten til HIGH umiddelbart. Pass på at brennerlyset er tent og forblir på.
5. Tenn brennerne ved siden av i sekvens ved å trykke inn knappene og dreie dem til i HIGH.



Brenner Sårende Tennbelysning

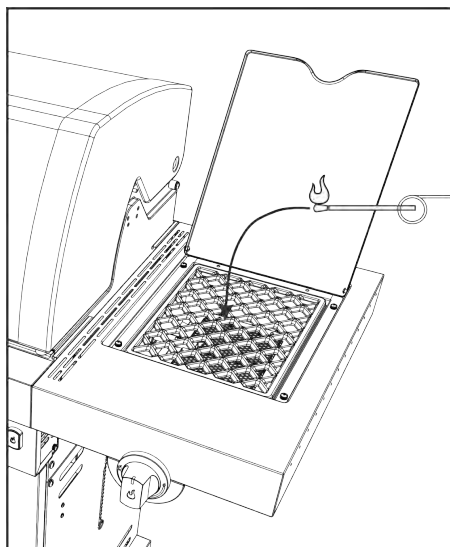
Ikke len deg over grillen mens du tenner.

1. Sett gassbrennerventilene på AV.
2. Åpne lokket under belysning eller ny belysning.
3. Slå på gass ved LP-sylinder.
4. Vri bryterbryteren til HØY posisjon, trykk og hold inne ELEKTRONISK TENNER-knapp.
5. Hvis Brenner Sårende IKKE tennes innen 5 sekunder, setter du knappen til OFF, venter i 5 minutter og gjentar deretter lysprosedyren.

Brenner Sårende Match Lighting

Ikke len deg over grillen mens du tenner.

1. Sett gassbrennerventilene på AV.
2. Åpne lokket under belysning eller ny belysning.
3. Slå på gass ved LP-sylinder.
4. Plasser tennes fyrstikk nær brenneren. Snu straks Brenner Sårende-knappen til HØY posisjon. Forsikre deg om at brenneren lyser og forblir tent.



Lekkasjetest av ventil, slange og regulator

Du må teste for lekkasje før første bruk, og deretter minst en gang i året, samt hver gang gassflasken blir skiftet ut eller koblet fra.

1. Drei alle kontrollknottene på apparatet til O.
2. Pass på at regulatoren er godt festet til gassflasken.
3. Slå på gassen. Hvis du hører en raslende lyd, må du slå av gassen med en gang. Det er en stor lekkasje ved koblingen. Fiks den før du fortsetter.
4. Børst såpeopløsningen (blanding av såpe og vann) inn i slangekoblingene.
5. Dersom det oppstår bobler betyr det at det er en lekkasje. Skru av gassen på gassflasken umiddelbart og sjekk at koblingene er godt festet. Dersom lekkasjen ikke kan stoppes, må du ikke forsøke å reparere den selv. Ring for å få reservedeler.
6. Du må alltid slå av gassen fra gassflasken etter å ha utført en lekkasjetest.

FORSIKTIG

EDDERKOPPVARSEL!

EDDERKOPPER OG EDDERKOPPSPINN INNI BRENNEREN

Dersom grillen blir vanskeligere å tenne, eller flammen er svak, kan du sjekke og rense venturirørene og brenneren.

Edderkopper eller små insekter er kjent for å skape problemer ved at flammene slås tilbake, da de bygger reder og legger egg i grillens venturirør eller brenner som hindrer gassflyten. Den overflødig gassen kan selvantenne bak kontrollpanelet. Denne tilbakekastingen av flammer kan skade grillen og forårsake personskader. For å forhindre tilbakekasting av flammer og sørge for god ytelse, bør brenneren og venturirørene fjernes og vaskes hver gang grillen ikke har vært i bruk på en stund.

DERSOM APPARATET IKKE SLÅR SEG PÅ

- Pass på at gassen er slått på, på gassflasken.
- Pass på at det er gass på gassflasken.
- Kommer det gnistrellyder fra tenneren?
 - Hvis det gjør det, må du sjekke om det gnistrer ved brenneren.
 - Hvis ikke, må du sjekke ledningene er ødelagte eller løse.
- Dersom ledningene var i orden, kan du sjekke om elektrodene er sprukne eller ødelagte, og om nødvendig bytte dem.
- Dersom ledninger eller elektroder er dekket av matrester, rengjør du elektrodespissen med alkoholserviett (om nødvendig).
- Ledningene kan byttes ved behov.
- Sjekk batteriet hvis det ikke kommer noen lyd.
- Pass på at batteriet er riktig installert.
- Sjekk etter løse ledninger på enheten og bryteren.
- Bruk en fyrstikk hvis tenneren fortsatt ikke fungerer.

Rengjøring av brennerenheten

Følg disse anvisningene for å rengjøre og/eller bytte deler av brennerenheten, eller hvis du ikke får tent på grillen.

1. **Slå av gassen ved kontrollknottene og LP-gasstanken.**
2. Fjern stekerister og varmetelt.
3. Fjern overføringsrør og deler brenneren er festet med.
4. Koble elektroden fra brenneren.

MERK: Metoden for å fjerne / koble fra avhenger av brennerens innstillinger. Se de ulike konfigurasjonene i illustrasjonene nedenfor.

5. Løft hver enkelt brenner forsiktig opp og vekk fra ventilåpningene. Vi foreslår tre måter å rengjøre brennerrørene på. Bruk den som er enklest for deg.

A. Bøy en stiv metalltråd (en lett kleshenger vil fungere utmerket) til en liten krok. Kjør kroken gjennom hver brennerrør flere ganger.



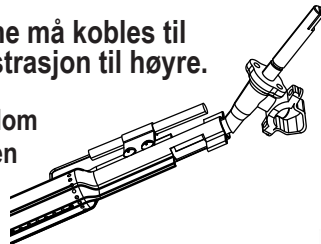
B. Bruk en smal flaskebørste med fleksibelt håndtak (ikke bruk en messingstrådbørste). Kjør børsten gjennom hver brennerrør flere ganger.

C. Bruk vernebriller: Bruk en luftslange for å tvinge luft inn i brennerrøret og ut av brenneråpningene. Sjekk ved hver dør at det kommer ut luft fra alle hullene.

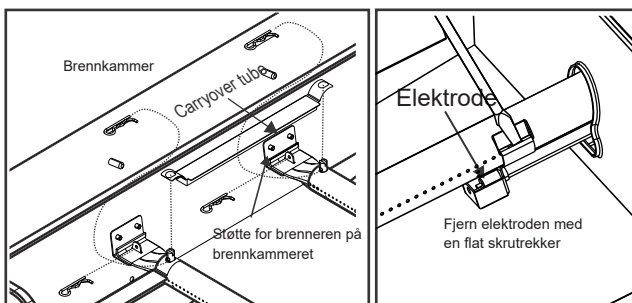
6. Bruk en stålbørste på hele utsiden av brenneren for å fjerne matrester og smuss.
7. Rens alle blokkerte dører med en stiv ståltråd, som for eksempel en åpen binders.
8. Sjekk brenneren for skade fra naturlig slitasje og rustangrep. Noen hull kan ha blitt utvidet. Brenneren må byttes hvis den har store sprekker eller hull.

VELDIG VIKTIG: Brennerrørene må kobles til ventilåpningene igjen. Se illustrasjon til høyre.

Riktig tilkobling mellom brenneren og ventilen



9. Fest elektroden til brenneren.
10. Skift ut brennerne forsiktig.
11. Fest brennerne til festene på brennkammeret.
12. Endre stillingen til overføringsrørene og fest dem til brenneren. Skift ut varmeteltene og grillristene.
13. Før du lager mat igjen på grillen, må du utføre en «lekkasjetest» og «Kontroll av brennerflammen».



Oppbevaring av apparatet

- Rengjør grillristene.
- Oppbevar dem på et tørt sted.
- Når gassflasken er koblet til apparatet, må den oppbevares utendørs i et område med god ventilasjon, og utenfor rekkevidde for barn.
- Dekk til apparatet hvis det skal oppbevares utendørs.
- Oppbevar apparatet innendørs KUN dersom gassflasken er skrudd av og frakoblet, fjernet fra apparatet og oppbevares utendørs.
- Sjekk at ingenting blokkerer brenneren når du tar frem apparatet igjen etter lagring.

Generell rengjøring av apparatet

Regelmessig rengjøring av denne grillen er nødvendig, siden grillbranner kan oppstå når fett og matrester samler seg i bunnen av grillen. Fjern alle gjenværende matpartikler fra kokegitteret og innsiden av grillen etter hver bruk med en Char-Broil Cool-Clean børste. Etterpå Du kan spraye Char-Broil Grate Cleaner sjenerøst på risten, la den virke i 10 minutter og tørke av med en våt klut eller børste. utfør grillrengjøring etter at grillen er avkjølt.

- Ikke ta feil i brun eller svart opphopning av fett og røyk for maling. Interiør av gassgrill er ikke malt på fabrikken (og bør aldri males). Påfør en sterk løsning av vaskemiddel og vann, eller bruk et apparatrengjøringsmiddel med skrubbebørste på innsiden av apparatlokket og bunnen. Skyll og la det lufttørke helt. Ikke bruk etsende apparat / ovnsrensere på malte overflater.
- Plastdeler: Vask med varmt såpevann og tørk av. Ikke bruk slipende rengjøringsmidler, avfettingsmidler eller et konsentrert apparatrengjøringsmiddel på plastdeler. Det kan føre til skade på og svikt i deler.
- Porselenoverflater: På grunn av glasslignende sammensetning kan de fleste rester tørkes bort med natron / vannopløsning, glassrensere eller Char-Broil Grate Cleaner. Bruk ikke-slipende skurepulver for sta flekker.
- Malte overflater: Vask med mildt vaskemiddel eller rengjøringsmiddel og varmt såpevann eller Char-Broil Grill Cleaner. Tørk av med en myk ikke-slipende klut.
- Kokeflater: Forsikre deg om at det ikke er igjen løse børster på kokeoverflatene før du griller. Mens grillen er varm, anbefales det bare å rengjøre kokeflater med Char-Broil Hot-Clean erstatningshodet (på Char-Broil Cool-Clean Premium Brush).



RENGJØRE innstilling

Grillen din er utstyrt med en innovativ CLEAN-innstilling som gir mulighet for problemfri grillrengjøring. Den høye varmen som genereres fra brennerne vil gjøre alt gjenværende matrester til aske.

Følg disse trinnene:

- Når du er ferdig med å grille, må du justere alle hovedbrennerne til RENGJØR-innstillingen og være i omtrent 12 - 15 minutter
- Etter ca 12 - 15 minutter, juster alle hovedbrennerne til OFF-innstilling og la grillen avkjøles
- Når grillen er kjølig, bruk en Char-Broil Cool-Clean børste for å fjerne gjenværende søppel og kaste asken
- For å få ekstra skinnende resultater, bruk Char-Broil Grate Cleaner som et siste trinn. Spray sjenerøst på risten, la den virke i 10 minutter og tørk av med en våt klut eller børste.

TEKNISKE DATA FOR CHAR-BROIL, LLC				
Apparatets navn	Gassgrill			
Total nominell varmetilførsel	9.67 kW (704 g/h)			9,67 kW (704 g/h)
Gasskategori	I3+(28-30/37)	I3B/P(30)	I3B/P(50)	
Modellnr.	468972023			468782023
Gasstype	Butan	Propan	Butan, propan eller en blanding	Butan, propan eller en blanding
Gasstrykk	28-30 mbar	37 mbar	30 mbar	50 mbar
Injektorens størrelse (dia. mm)	Grill: 0,86 x 2 stk.		Grill: 0,86 x 2 stk.	Grill: 0,75 x 2 stk.
Brenner Sårende Injektorens størrelse (dia. mm)	0,91 x 1 pcs		0,91 x 1 pcs	0,81 x 1 pcs
Destinasjonsland	GB, FR, BE, ES, IT, PT, CZ, SK, CH, CY, GR, IE, LT, LU, LV, SI		DK, NO, NL, SE, FI, IS, CZ, IT, SK, BG, CY, EE, HR, HU, LT, LU, LV, MT, RO, SI, TR	AT, DE, CH, LU, SK

Rustfritt stål

Det finnes mange ulike typer (legeringer) materialer som regnes som rustfritt stål.

Et fellestrekk for disse ulike typene er at de kan korrodere (oksidere), avhengig av hva slags forhold de utsettes for.

Dette gjelder også for den nye grillen din.

Følg rådene nedenfor for å sikre at grillen vil se bra ut og fungere i mange år fremover.

- 1) Hvis grillen har blitt våt eller fuktig, må du tørke av den med en klut for å hindre at overflaten ruster.
- 2) Rustfritt stål kan ruste under visse forhold. Dette kan være forårsaket av miljøforhold, for eksempel klor og saltvann, eller av ueqnet rengjøringsutstyr som ståltråd eller stålull. Den kan også bli misfarget av varme, kjemikalier eller opphopning av fett.
- 3) Ivareta apparatets kvalitetsutseende ved å vaske med et mildt rengjøringsmiddel og varmt såpevann og tørke med en myk klut etter hvert bruk. Det er mulig du må bruke en slipende rengjøringspute av plast for å bli kvitt innbakt fett. Børst kun i samme retning som overflaten for å unngå skade. Ikke bruk skrubb på overflater med grafikk.
- 4) Smør de indre delene av grillen og ristene med matolje.

Merk:

For å unngå å lage riper på overflaten, noe som vil gi grobunn for rust, må du aldri bruke stålull eller lignende når du rengjør rustfritt stål.

Rengjør i samme retning som det rustfrie stålet ble børstet i – dvs. «med teksturen». Rengjøring med slipemidler kan etterlate riper.

Å oppbevare grillen i nærheten av havet, svømmebassenget eller en spa vil føre til at grillen ruster (oksidere).

Dekk til grillen for å beskytte den mot rust.

SUBJEKT VYKONÁVAJÚCI INŠTALÁCIU/ MONTÁŽ:

Odovzdajte zákazníkovi užívateľskú príručku.

ZAKAZNÍK:

Uschovajte tento návod pre budúce použitie.

Otázky:

Ak máte otázky týkajúce sa montáže alebo použitia zariadenia, kontaktujte svojho miestneho predajcu

NEBEZPEČENSTVO

Ak zacítite plyn:

1. Vypnite prívod plynu do zariadenia.
2. Uhasťte otvorený oheň.
3. Otvorte poklop.
4. Ak zápach neprestáva, odstúpte od zariadenia a ihneď zavolajte dodávateľa plynu alebo hasičov.

VAROVANIA

1. Neskladujte ani nepoužívajte benzín ani iné horľavé tekutiny v blízkosti tohto alebo iného zariadenia.
2. Neskladujte plynovú fľašu, ktorá nie je pripojená ku grilu, v blízkosti tohto alebo iného zariadenia.

UPOZORNENIE

- Predtým ako začnete s montážou a grilovaním si prečítajte a dodržiavajte bezpečnostné upozornenia a pokyny na montáž, používanie a starostlivosť.
- Niektoré časti majú ostré hrany. Odporúčame používať ochranné rukavice.

Horenie mastných zvyškov

- Zatvorením poklopu nie je možné uhasiť horenie mastných zvyškov. Grily majú z bezpečnostných dôvodov dobré odvetrávanie.
- Na uhasenie horenia mastných zvyškov nepoužívajte vodu, môže dôjsť k zraneniu. Ak horenie neprestáva, vypnite ovládacie tlačidlá a odstavte prívod plynu z plynovej fľaše.
- Zanedbaním pravidelného čistenia zariadenia môže dôjsť k horeniu mastných zvyškov, čo môže spôsobiť poškodenie výrobku. Pri predhrievaní alebo vypaľovaní zbytkov jedla dávajte pozor a zabezpečte, aby nedošlo k požiaru. Predchádzajte takýmto požiarom tak, že budete dodržiavať všeobecné pokyny na čistenie zariadenia a častí horáku. Najlepším spôsobom ako predchádzať takýmto požiarom je pravidelné čistenie zariadenia.
- Pri predhrievaní alebo vypaľovaní zbytkov jedla na stupni HI nenechávajte gril bez dozoru. Zanedbaním pravidelného čistenia zariadenia môže dôjsť k horeniu mastných zvyškov, čo môže spôsobiť poškodenie výrobku.

VAROVANIA

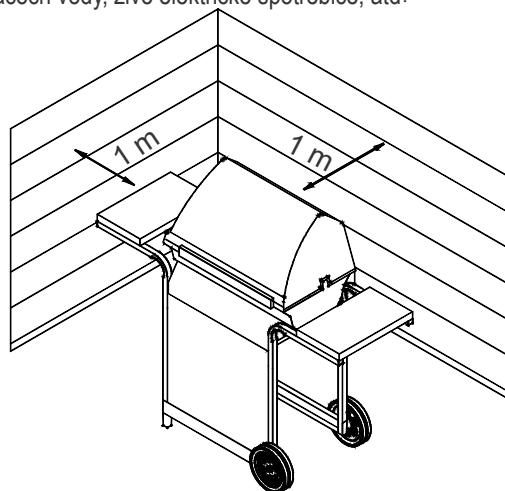
Bezpečné používanie zariadenia

a predchádzanie vážnych zranení.

• ZARIADENIE JE URČENÉ IBA NA VONKAJŠIE POUŽITIE. NIKDY NEPOUŽÍVAJTE VNÚTRI.

Pred použitím zariadenia si prečítajte pokyny. Tieto pokyny vždy dodržiavajte.

- Počas prevádzky zariadenie nikdy nepremiestňujte.
- Prístupné časti môžu byť veľmi horúce. Malé deti udržiavajte v bezpečnej vzdialenosti. Nedovoľte im, aby sa hrali v blízkosti zariadenia.
- Po použití vypnite prívod plynu na plynovej fľaši.
- Zariadenie udržiavajte v bezpečnej vzdialenosti od horľavých materiálov.
- Neupchávajte otvory na bokoch a v zadnej časti zariadenia
- Pravidelne kontrolujte plameň horáku.
- Na horáku neupchávajte otvory Venturiho trubice.
- Zariadenie používajte na dobre vetraných miestach. NIKDY nepoužívajte v uzavretých priestoroch, napr. pod prístreškom na autá, v garáži, verande, krytej terase alebo pod inou strešnou konštrukciou.
- Plynové zariadenie nie je určené na použitie s dreveným uhlím alebo keramickými briketami.
- **NEPOKRÝVAJTE** rošt hliníkovou fóliou alebo iným materiálom. Môže to spôsobiť zablokovanie odvetrávania horáku, tým vytvorí potencionálne nebezpečnú situáciu, ktorá môže viesť k poškodeniu majetku a/alebo zraneniu.
- Zariadenie používajte najmenej 1 meter od steny alebo iného povrchu.
- Zariadenie udržiavajte 3 metre od horľavých predmetov alebo zdrojov vznietenia, ako sú napr. kontrolné žiarovky na ohrievačoch vody, živé elektrické spotrebiče, atď.



- NIKDY sa nepokúšajte zapáliť horák so zatvoreným poklopom. Vo vnútri uzavretého zariadenia môže dôjsť k vytvoreniu nebezpečných nezapaľených plynov.
- Pred premiestnením plynovej fľaše z určenej prevádzkovej pozície vždy vypnite prívod plynu na fľaši a odpojte ovládač.
- Ak plynová fľaša nie je na určenej prevádzkovej pozícii, nikdy zariadenie nepoužívajte.
- Na zariadení nevykonávajte žiadne úpravy. Všetky úpravy sú prísne zakázané. Užívateľ nie je oprávnený manipulovať so zapečatenými časťami. Nevykonávajte demontáž vstrekovačov.

Bezpečnostné tipy

- Pred otvorením ventilu plynovej fľaše skontrolujte tesnosť ovládača.
- Keď nie je zariadenie v prevádzke, vypnite všetky ovládacie tlačidlá aj prívod plynu.
- Popáleninám a obareninám predchádzajte použitím rukavíc a náradia na grilovanie s dlhou rúčkou. Pri manipulácii s horúcimi časťami používajte ochranné rukavice.
- Maximálna záťaž ohrevnej platne, ak je súčasťou výbavy, a bočnej poličky je 4,5 kg. Grilovacia nádoba má minimálny priemer 200 mm a maximálny priemer 260 mm. **POZNÁMKA:** Váš gril NEMUSÍ byť vybavený ohrevnou platňou!
- Olejový zásobník (ak je súčasťou výbavy) musíte vložiť do vnútra zariadenia a po každom použití ho vyprázdniť. Neodstraňujte olejový zásobník, pokiaľ zariadenie úplne nevychladlo.
- Buďte opatrní pri otváraní poklopu, pretože hrozí únik horúcej pary.
- Postupujte veľmi opatrne, keď sa v blízkosti nachádzajú deti, starší ľudia alebo domáce zvieratá.
- Ak zistíte, že olej alebo iný horúci materiál kvapká zo zariadenia na ventil, kábel alebo ovládač, ihneď vypnite prívod plynu. Určite príčinu, zabezpečte opravu, následne pred pokračovaním vyčistite a skontrolujte ventil, kábel a ovládač. Vykonajte skúšku tesnosti.
- Neskladujte žiadne predmety alebo materiály vo vnútri krytého vozíka zariadenia, ktoré by mohli zamedziť toku spaľovacieho vzduchu smerom do spodnej časti radiaceho panela alebo kotla.
- PRIPÁJAJTE alebo vymieňajte plynovú nádobu maximálne do troch metrov od otvoreného ohňa alebo iného zápalného zdroja.

Výmena plynovej fľaše

Fľaše umiestnené v prístroji musia mať maximálny priemer 340 mm a maximálnu výšku vrátane regulátora 580 mm. Väčšie valce je možné umiestniť iba pod bočnú policu alebo iba za gril. Fľaše umiestnené na zemi sa nesmú umiestňovať pod horúcu platňu.

Požiadavky na ovládač

S týmto zariadením sa musí používať ovládač. Používajte iba plynový ovládač dodaný spolu s týmto grilom. Ak ovládač nie je súčasťou výbavy grilu, potom používajte certifikovaný ovládač v súlade s normou EN16129 (Max. rýchlosť toku 1,5 kg/hod.) a schválený pre vašu krajinu a plyn, ako je to podrobne stanovené v Technických údajoch.



Požiadavky na hadice



Používajte iba schválenú hadicu, ktorá je certifikovaná podľa príslušnej normy EN a nepresiahne dĺžku 1,5 metra. Vo Fínsku dĺžka hadice nesmie presiahnuť dĺžku 1,2 metra. Pred každým použitím skontrolujte, či nie sú hadice prerezané alebo opotrebované. Uistite sa, že hadica nie je zauzlená. Zabezpečte, aby sa pripojená hadica nedotýkala žiadnych zohriatych povrchov. Pred použitím zariadenia zabezpečte výmenu poškodených hadíc. Výmenu vykonajte v súlade s vnútroštatnými požiadavkami.

Zapaľovanie ignítorom

- **Pri zapaľovaní sa neopierajte o gril.**

1. Otočte ventily ovládača plynového horáka do pozície O (vypnutý).
2. Počas zapaľovania alebo opätovného zapaľovania majte poklop otvorený.
3. Zapnite prívod plynu na LPG fľaši.
4. Pri zapálení stlačte a otočte gombík horáka do pozície VYSOKÝ (HIGH). Okamžite stlačte a držte tlačidlo ELEKTRONICKÉHO IGNÍTORA, pokiaľ sa horák nezapáli.
5. Pokiaľ sa oheň neobjaví do piatich sekúnd, otočte ovládač horáka do pozície O (vypnutý), čakajte päť minút a zopakujte celý proces zapaľovania znova.
6. Zopakujte kroky 4 a 5 a zapáľte ďalšie hlavné horáky.

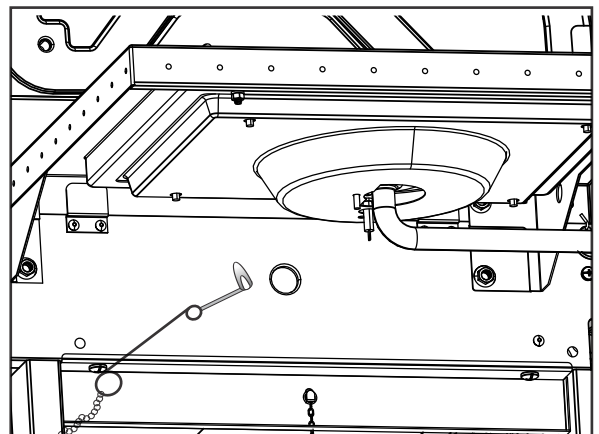
	VAROVANIE	
<p>Ak nepoužívate ovládacie prvky a plynovú fľašu, vypnite ich.</p> <p>Dbajte na to, aby sa pripojená hadica nedotýkala žiadnych teplých povrchov.</p>		

	UPOZORNENIE	
<p>Pokiaľ sa oheň NEOBJAVÍ do piatich sekúnd, otočte ovládač horáka do pozície O (vypnutý), čakajte päť minút a zopakujte celý proces zapaľovania znova. Ak sa horák nezapáli pomocou otvoreného ventilu, plyn bude naďalej unikať z horáka, môže sa náhodne vznietiť a spôsobiť vážne zranenie.</p>		

Zapaľovanie pomocou zápaliek

- **Pri zapaľovaní sa neopierajte o gril.**

1. Otočte ventily ovládača plynového horáka do pozície O (vypnutý).
2. Počas zapaľovania alebo opätovného zapaľovania majte poklop otvorený
3. Zapnite prívod plynu na LPG fľaši.
4. Umiestnite zápalky do držiaka zápaliek (je zavesený na bočnom paneli grilu). Zapáľte zápalku; potom zapáľte horák tak, že prestrčíte zápalku cez otvor na bočnej strane grilu. Ihneď ju zasuňte do vnútra a otočte gombík horáka do pozície VYSOKÝ (HIGH). Uistite sa, že horák horí.
5. Postupne zapáľte vedľajšie horáky stlačením gombíkov a otočením do pozície VYSOKÝ (HIGH).



Osvetlenie horáka Spaľovací horák

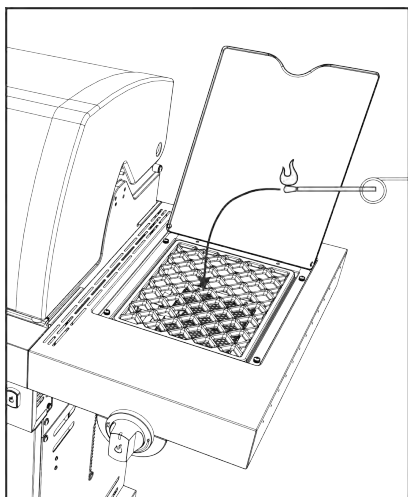
Počas osvetlenia sa neskláňajte nad grilom.

1. Vypnite regulačné ventily plynového horáka do polohy OFF.
2. Počas osvetlenia alebo opätovného osvetlenia otvorte veko.
3. ZAPNITE plyn na LP tlakovej fľaši.
4. Otočte gombík Spaľovací horák do polohy HIGH, stlačte a podržte tlačidlo ELEKTRONICKÉHO ZAPALOVAČA.
5. Ak horák Spaľovací horák NESvieti do 5 sekúnd, otočte gombík do polohy OFF, počkajte 5 minút a potom opakujte postup zapalovania.

Osvetlenie zápasu Spaľovací horák

Počas osvetlenia sa neskláňajte nad grilom.


1. Vypnite regulačné ventily plynového horáka do polohy OFF.
2. Počas osvetlenia alebo opätovného osvetlenia otvorte veko.
3. ZAPNITE plyn na LP tlakovej fľaši.
4. Umiestnite zapálenú zápalku blízko horáka. Okamžite otočte gombík Spaľovací horák do polohy HIGH. Uistite sa, že horák svieti a zostáva rozsvietený.




Skúška tesnosti ventilov, hadice a ovládača

Vykonajte skúšku tesnosti pred prvým použitím, najmenej jedenkrát za rok a vždy pri výmene a odpojení fľaše.

1. Otočte všetky tlačidlá zariadenia do pozície O.
2. Zabezpečte, aby bol ovládač pevne pripojený ku plynovej fľaši.
3. Zapnite prívod plynu. Ak počujete zvuk rýchleho toku plynu, ihneď prívod plynu odstavte. Bude tam veľký únik pri spoji. Predtým, ako budete pokračovať, zabezpečte nápravu.
4. Naneste na hadicové spoje mydlový roztok (zmes mydla a vody v pomere 1:1).
5. Ak sa objavia rastúce bubliny, znamená to, že uniká plyn. Okamžite vypnite prívod plynu na fľaši a skontrolujte tesnosť spojov. Ak sa únik plynu nedá zastaviť, nesnažte sa to opraviť. Zavolajte a požiadajte o náhradné diely.
6. Po vykonaní skúšky tesnosti vždy vypnite prívod plynu na fľaši.

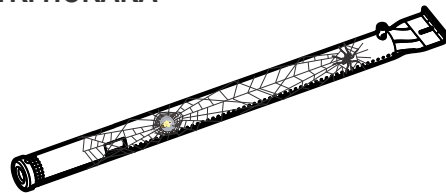


UPOZORNENIE



POZOR NA PAVÚKOV

PAVÚKY A PAVUČINY VO VNÚTRI HORÁKA



Ak sa vám gril ťažko zapalauje alebo je plameň slabý, skontrolujte a vyčistite Venturiho trubicu a horáky.

Pavúky alebo malý hmyz sú známe tým, že svojimi pavučinami a nakladenými vajíčkami vo Venturiho trubici alebo horáku grila spôsobujú problémy so spätným zašľahnutím plameňa a tým bránia prúdeniu plynu. Zatiaľ čo zatlačený plyn môže zapáliť za kontrolným panelom. Spätné zašľahnutie plameňa môže viesť k poškodeniu grilu a spôsobiť zranenie. Keď sa dlhší čas gril nepoužíva, musíte demontovať a vyčistiť horák a zostavu Venturiho trubice, aby sa predišlo spätnému zašľahnutiu plameňa a bol zabezpečený jeho dobrý výkon.

AK SA VAŠEMU ZARIADENIU NEDARÍ HORIEŤ

- Uistite sa, že je na fľaši zapnutý prívod plynu.
- Uistite sa, že vo fľaši je plyn.
- Vydáva ignítor iskrivý zvuk?
Ak áno, skontrolujte zapalovanie v horáku.
Ak to nie je zapalovanie, skontrolujte, či nie sú káble poškodené alebo uvoľnené.
- Ak sú káble v poriadku, skontrolujte, či nie je elektróda prasknutá alebo nefunkčná, v prípade potreby ju vymeňte.
- Ak sa na kábloch a elektródach nachádzajú zvyšky jedla, v prípade potreby utrite alkoholom hrot elektródy.
- V prípade potreby zabezpečte výmenu káblov.
- V prípade žiadneho zvuku skontrolujte batériu.
- Uistite sa, že je batéria správne namontovaná.
- Skontrolujte, či nie sú pri module a spínači uvoľnené káble.
- Ak ignítor naďalej nefunguje, potom použite zápalky.

63

Čistenie zostavy horáka

Pri čistení a/alebo výmene častí horáka alebo ak máte problémy so zapálením grilu, postupujte podľa týchto pokynov.

1. **Vypnite prívod plynu na ovládacích tlačidlách a LPG fľaši.**
2. Odstráňte grilovacie rošty a aróma koľajnice.
3. Odstráňte pohyblivé trubice a vybavenie na montáž horákov.
4. Odpojte elektródu z horáka.

POZNÁMKA: Spôsob odstránenia/demontáže bude závisieť od konfigurácie horáka. Rôzne konfigurácie môžete vidieť na nižšie uvedených obrázkoch.

5. Opatrne nadvihnite a vyberte všetky horáky z ventilových otvorov. Odporúčame tri spôsoby čistenia trubice horáka. Riadte sa tým pre vás najľahším spôsobom.

A. Ohnite ostrý drôt (vešiak na ľahší kabát môže dobre poslúžiť) do tvaru menšieho háku. Prestrčte hák niekoľko-krát cez trubicu horáka.



B. Použite úzku kefu na fľašu s ohybnou rukoväťou (v žiadnom prípade nepoužite drôtenú kefu), ktorú niekoľko-krát prestrčte cez trubicu horáka.

C. Použite ochranu na oči: Pomocou vzduchovej hadice dostanete vzduch do trubice horáka a von ventilmi horáka. Skontrolujte, či vzduch vychádza zo všetkých ventilov.

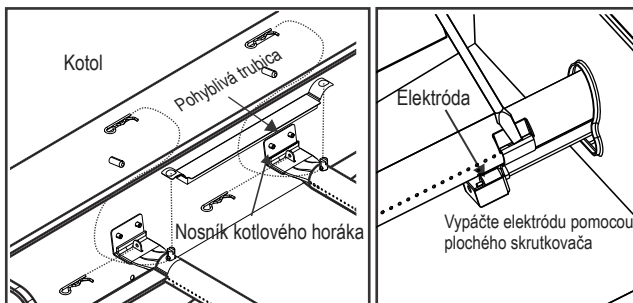
6. Pomocou drôtenej kefy vyčistíte vonkajšiu časť horáku a odstránite zvyšky jedla a špinu.
7. Vyčistíte všetky upchané ventily pomocou ostrého drôtu, napr. pomocou otvorenej spinky na papier.
8. Uistite sa, že horák nie je poškodený, pretože v dôsledku bežného opotrebovania a korózie sa môžu trhliny zväčšovať. V prípade, ak nájdete nejaké trhliny, horák radšej vymeňte.

VELMI DÔLEŽITÉ: Trubicu horáka musíte znovu zapojiť cez otvor ventilu. Vid' obrázok napravo.

Správne zapojenie horáka cez otvor ventilu



9. Pripevnite elektródu k horáku.
10. Opatrne vykonajte výmenu horákov.
11. Pripevnite horáky ku držiakom v kotli.
12. Pohyblivé trubice uložte na miesto a pripevnite k horákom. Znovu inštalujte aróma koľajnice a grilovacie rošty.
13. Pred grilovaním znova vykonajte „skúšku tesnosti“ a „kontrolu plameňa na horáku“.



Skladovanie zariadenia

- Vyčistite grilovacie rošty.
- Zariadenie skladujte na suchom mieste.
- Ak je ku zariadeniu pripojená plynová fľaša, skladujte ho vonku na dobre vetranom mieste a mimo dosahu detí.
- Pri skladovaní vonku používajte na zariadenie obal.
- Skladovať zariadenie vnútri je možné IBA vtedy, keď je plynová fľaša od zariadenia odpojená a uložená vonku.
- Po skladovaní skontrolujte, či sa v horákoch nenachádzajú nejaké prekážky.

Čistenie spotrebiča

Pravidelné čistenie tohto grilu je nevyhnutné, pretože môže dôjsť k požiaru grilu, keď sa v spodnej časti grilu zhromažďujú mastnota a zvyšky jedla. Po každom použití odstráňte všetky zvyšky jedla z grilovacieho roštu a z vnútra grilu pomocou kefy Char-Broil Cool-Clean. Potom môžete na gril nastriekať Char-Broil Grate Cleaner, nechať pôsobiť 10 minút a zotrieť vlhkou handričkou alebo štetcom. Čistenie grilu vykonajte po vychladnutí grilu.

- Nezamieňajte hnedé alebo čierne nahromadenie mastnoty a dymu s farbou. Interiéry plynových grilov nie sú natreté v továrni (a nikdy by nemali byť natreté). Naneste silný roztok saponátu a vody alebo použite čistiaci prostriedok prístroja s kefkou na čistenie vnútorných častí veka a spodnej časti prístroja. Opláchnite a nechajte úplne vyschnúť na vzduchu. Na natreté povrchy nenanášajte žieravé príslady / čističe rúry.

- Plastové diely: Umyte teplou mydlovou vodou a utrite dosucha. Na plastové časti nepoužívajte abrazívne čističe, odmasťovače ani koncentrovaný čistič prístroja. Môže to mať za následok poškodenie alebo zlyhanie častí.

- Porcelánové povrchy: Z dôvodu skleneného zloženia je možné väčšinu zvyškov utrieť roztokom sódy / vody na pečenie, čistiacim prostriedkom na sklo alebo čistiacim prostriedkom na rošt Char-Broil. Na odolné škvrny použite neabrazívny čistiaci prášok.

- Natreté povrchy: Umyte jemným čistiacim prostriedkom alebo čistiacim prostriedkom a teplou mydlovou vodou alebo čistiacim prostriedkom na grily Char-Broil. Utrite do sucha mäkkou utierkou neabrazívna handrička.

- Varné plochy: Pred grilovaním zaistíte, aby na varných plochách nezostali žiadne voľné štetiny. Pokiaľ je gril horúci, odporúča sa povrchy varenia čistiť iba pomocou výmennej hlavice Char-Broil Hot-Clean (na kefke Char-Broil Cool-Clean Premium).

◆◆ ČISTÉ nastavenie

Váš gril je vybavený inovatívnym nastavením CLEAN, ktoré umožňuje bezproblémové čistenie grilu. Vysoké teplo generované z horákov premení všetky zvyšky jedla na popol.

Nasleduj tieto kroky:

- Po dokončení grilovania nastavte všetky hlavné horáky do polohy CLEAN (Čistenie) a zostaňte približne 12 - 15 minút
- Po približne 12 - 15 minútach nastavte všetky hlavné horáky do polohy OFF a nechajte gril vychladnúť
- Akonáhle je gril vychladnutý, pomocou štetca Char-Broil Cool-Clean odstráňte všetky zvyšky a popol zlikvidujte.
- Ak chcete dosiahnuť mimoriadne lesklé výsledky, ako posledný krok použite čistič roštu Char-Broil. Veľkoryso nastriekajte na rošt, nechajte pôsobiť 10 minút a utrite vlhkou handričkou alebo štetcom.

TECHNICKÉ ÚDAJE
CHAR-BROIL, LLC

Názov zariadenia	Plynový gril		
Celkový menovitý tepelný príkon	9.67 kW (704 g/h)		9.67 kW (704 g/h)
Plynová kategória	I3+(28-30/37)	I3B/P(30)	I3B/P(50)
Číslo modelu	468972023		468782023
Typ plynu	Bután	Propán	Butane, Propane or their mixtures
Tlak plynu	28-30 mbar	37 mbar	30 mbar
Veľkosť vstrekača (priemer v mm)	Gril: 0,86 x 2 ks		Gril: 0,75 x 2 ks
Spalovací horák Veľkosť vstrekača (priemer v mm)	0,91 x 1 pcs		0,81 x 1 pcs
Cieľové krajiny	GB, FR, BE, ES, IT, PT, CZ, SK, CH, CY, GR, IE, LT, LU, LV, SI	DK, NO, NL, SE, FI, IS, CZ, IT, SK, BG, CY, EE, HR, HU, LT, LU, LV, MT, RO, SI, TR	AT, DE, CH, LU, SK

Nehrdzavejúca oceľ

Existuje veľa rôznych typov materiálov (zliatin), ktoré sa považujú za nehrdzavejúcu oceľ.

Obvyklou vlastnosťou týchto typov materiálov je korózia (oxidácia), ktorá závisí od podmienok, ktorým sú vystavené.

Týka sa to aj vášho nového grilu.

Ak chcete zaistiť, aby si váš gril dlho zachoval svoj pôvodný vzhľad a funkčnosť, riadte sa nižšie uvedenými radami.

- 1) V prípade, ak je gril mokrý alebo vlhký, uistite sa, aby ste ho handričkou vytreli do sucha a takým spôsobom ho chránili pred povrchovou koróziou.
- 2) Nehrdzavejúca oceľ môže za určitých podmienok korodovať. Môže to byť zapríčinené podmienkami okolitého prostredia, napr. vystavením chlorínu alebo slanej vody alebo používaním nesprávnych čistiacich nástrojov, napr. drôtenky alebo vlny z ocele. Taktiež môže zmeniť farbu pôsobením tepla, chemikálií alebo mastných usadenín.
- 3) Po každom použití umývajte jemným čistiacim prostriedkom a teplou mydlovou vodou, aby si zariadenie uchovalo vzhľad najvyššej kvality. Potom vytrite do sucha jemnou handričkou. Pripálené mastné usadeniny budú vyžadovať použitie abrazívnej plastovej škrabky. Používajte iba v smere vrúbkovanej úpravy povrchu, aby ste sa vyhli poškodeniu. Abrazívnu škrabku nepoužívajte na plochách s grafikou.
- 4) Vnútorne časti grilu a rošty ošetrte kuchynským olejom.

Upozorňujeme, že:

Ak sa chcete pri čistení nehrdzavejúcej ocele vyhnúť škrabancom, ktoré môžu viesť ku korózii, nikdy nepoužívajte vlnu z ocele alebo podobné nástroje.

Pri čistení postupujte v smere vrúbkovanej úpravy povrchu – v smere „kresby“.

Skladovanie grilu v blízkosti pobrežia, bazéna alebo wellness centra môže viesť ku korózii (oxidácii).

Predchádzajte korózii tak, že gril zakryjete.

UPPSETNINGARADILI:



Þessi handbók á að vera hjá notandanum.

NOTANDI:

Geymdu leiðbeiningarnar til að fletta upp í þeim síðar.


Spurningar:

Ef spurningar vakna við samsetningu eða notkun tækisins skaltu hafa samband við staðbundinn söluaðila.



**HÆTTA**

Ef þú finnur gaslykt:

1. Slökktu á gasflæði til grillsins.
2. Slökktu allan opinn eld.
3. Opnaðu lokið.
4. Ef lyktin hverfur ekki skaltu halda þig fjarri tækinu og hringja strax í söluaðila gassins eða slökkvilið.

**VIÐVÖRUN**

1. Ekki geyma eða nota bensín eða aðra eldfima vökva nálægt þessum eða öðrum búnaði.
2. Ekki má geyma ótengdan gaskút, sem á að nota, nálægt þessum eða öðrum búnaði.

**VARÚÐ**

- Lestu og fylgdu öllum öryggisfyrirmælum, leiðbeiningum um samsetningu og umhirðu áður en þú setur grillið saman og eldar á því.
- Sumir hlutar kunna að vera með skarpar brúnir. Ráðlagt er að nota hlífðarhanska.

Eldur af völdum feiti

- Ekki er hægt að slökkva eld í feiti með því að loka lokinu. Grill eru vel loftræst af öryggisástæðum.
- Ekki nota vatn á feiti, það getur leitt til persónulegra meiðsla. Ef kviknar í feiti, sem ekki slokknar, skaltu skrífa fyrir alla hnúða og gaskútinn.
- Ef grillið er ekki þrifið reglulega getur kviknað í feiti sem skemmir vöruna. Gættu þess vel við forhitun eða ef þú brennir matarleifar í burtu að tryggja að ekki kvikni í feiti. Fylgdu leiðbeiningunum um almenn þrif grillsins og þrif á brennarabúnaðinum til að koma í veg fyrir eld í feiti. Besta leiðin til að koma í veg fyrir að kvikni í feiti er að þrifa grillið reglulega.
- Ekki skilja grillið eftir án eftirlits við forhitun þess eða ef matarleifar eru brenndar í burtu á HI. Ef grillið hefur ekki verið þrifið reglulega getur kviknað í feiti sem kann að skemma vöruna.

**VIÐVÖRUN**

Fyrir örugga notkun grillsins og til að koma í veg fyrir alvarleg meiðsl:

- **NOTAÐU AÐEINS UTANDYRA. NOTAÐU ALDREI INNANDYRA.**

Lestu leiðbeiningarnar áður en þú notar grillið. Fylgdu ávallt leiðbeiningunum.

- Ekki færa grillið við notkun.
- Aðgengilegir hlutir kunna að vera mjög heitir. Haltu ungum börnum fjarri. Ekki leyfa börnum að nota eða leika sér nálægt grillinu.
- Skrífaðu fyrir gasið á kútnum eftir notkun.
- Halda skal grillinu fjarri eldfimum efnum við notkun.
- Ekki hylja op á hliðum eða aftan á grillinu.
- Athugaðu loga brennarans reglulega.
- Ekki loka rennslisviðnámsgötunum á brennarannum.
- Notaðu grillið aðeins á vel loftræstum svæðum. Notaðu það ALDREI í lokuðum rýmum eins og í bílskýlum, bílskúrum, veröndum,
- á lokuðum sólpöllum eða undir neins konar mannvirkjum.
- Ekki nota kol eða keramikmola með gasinu.
- **EKKI hylja ristar með álpappír eða öðrum efnum.** Það leiðir til þess að loftræsting brennarans lokast og getur skapað ástand sem er hugsanlega hættulegt og getur leitt til eignatjóns og/eða meiðsla.
- **Notaðu grillið að minnsta kosti 1 m í burtu frá veggjum eða yfirborðum.** Ý Haltu 3m fjarlægð frá hlutum sem getur kviknað í eða eldsupptökum eins og gaumljósum á vatnshiturum, rafmagnsbúnaði í gangi, o.s.frv.



- Reyndu ALDREI að kveikja á brennara með lokið lokað. Uppsöfnun á gasi, sem ekki hefur kviknað í, inni í lokuðu grilli er hættuleg.
- Skrífaðu ávallt fyrir gaskútinn og aftengdu stillinn áður en þú færir gaskútinn úr þeirri notkunarstöðu sem tiltekin er.
- Notaðu grillið aldrei með gaskútinn í annarri stöðu en tiltekin er.
- Ekki gera breytingar á grillinu. Allar breytingar eru stranglega bannaðar. Notandinn má ekki fíka við límda hluti. Ekki taka innspýtingarbúnað í sundur.

Öryggisráð

- Áður en lokinn á gaskútnum er opnaður skaltu athuga hvort stillirinn sé vel þéttur.
- Þegar grillið er ekki í notkun skaltu skrúfa fyrir alla stjórnhnúða og gasið.
- Notaðu grilláhöld með löngu handfangi og ofnhanska til að koma í veg fyrir að þú brennir þig. Notaðu hlífðarhanska þegar þú meðhöndlar heita hluti.
- Hámarksþungi fyrir hitaplötuna, ef til staðar, og hliðarhilluna er 4,5 kg. Lágmarkspvermál eldunaríláts 200 mm og að hámarki 260 mm. **ATHUGAÐU:** Það getur verið að grillið þitt sé EKKI með hitaplötu!
- Feitiílátið (ef fylgir) þarf að vera sett í tækið og tæmt eftir hverja notkun. Ekki fjarlægja feitiílátið fyrr en tækið hefur kólnað alveg.
- Sýndu mikla aðgát þegar þú opnar lokið því heit gufa kann að koma út.
- Sýndu mikla aðgát þegar börn, aldraðir eða gæludýr eru nálægt.
- Ef þú sérð feiti eða annað heitt efni leka úr tækinu á loka, slöngu eða stilli skaltu skrúfa tafarlaust fyrir gasið. Finndu orsökina, lagfærðu vandamálið og þrífðu síðan og skoðaðu lokann, slönguna og stillinn áður en lengra er haldið. Framkvæmdu lekapróf.
- Ekki geyma hluti eða efni í grind tækisins sem getur lokað fyrir loftflæði fyrir brunann að undirhlið annaðhvort stjórnborðsins eða eldhólfsskalarinnar.
- EKKI aftengja eða skipta um gaskút í minna en 3m fjarlægð frá opnum eldi eða öðrum eldsuþtökum.

Skipti á kút

Kútar sem settir eru í heimilistækið skulu hafa 340 mm þvermál og hámarkshæð, að meðtöldum þrýstijafnara, 580 mm. Stærri strokka á aðeins að setja undir hliðarhillu eða bak við grillið. Ekki skal setja strokka á jörðina undir hitaplötuna.

Kröfur fyrir stilli

Nota skal stilli með grillinu. Notaðu aðeins gasstillinn sem kemur með grillinu. Ef stillir, fylgir ekki með, að þá skaltu aðeins nota vottaðan stilli í samræmi við EN16129 (flæði að hámm. 1,6 kg/klst.), sem er leyfður í heimalandi þínu, gasið sem tilgreint er í tækniupplýsingunum.



Kröfur fyrir slöngu

Notaðu aðeins viðurkennda slöngu, sem er vottuð fyrir viðeigandi EN staðal og er ekki lengri en 1,5m að lengd. Í Finnlandi má slöngulengdin ekki vera yfir 1,2m. Fyrir hverja notkun skaltu athuga hvort slöngurnar eru skomar eða slitnar. Gakktu úr skugga um að slangan hafi ekki beyglast. Gakktu úr skugga um að tengd slanga snerti ekki heitt yfirborð. Skiptu um skemmdar slöngur áður en grillið er notað. Skiptu um slönguna eftir innlendum reglum.

Kveiking

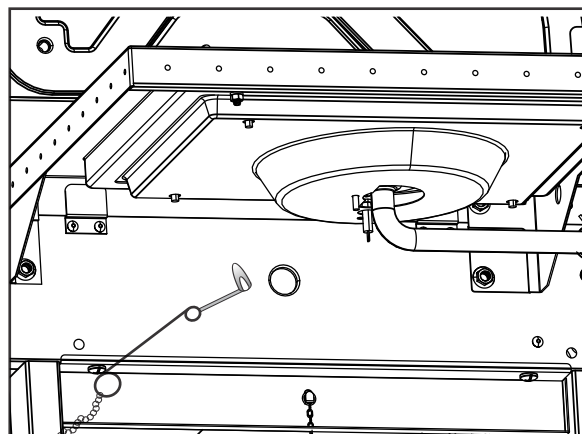
- **Ekki halla þér yfir grillið þegar kveikt er upp í því.**
- 1. Snúðu stjórnlokum gasbrennarans á ○ (af).
- 2. Opnaðu lokið við kveikingu og endurkveikingu.
- 3. Skrúfaðu FRÁ gasinu á LP kútnum.
- 4. Til að kveikja skaltu ýta á og snúa brennarahnúðinum á **HÁTT**. Ýttu strax og haltu **RAFDRIFNA KVEIKIHNAPPINUM** inni þangað til kviknar á brennarannum.
- 5. Ef EKKI kviknar á grillinu innan 5 sekúndna skaltu slökkva á brennarannum ○, bíða í 5 mínútur og endurtaka kveikinguna.
- 6. Endurtaktu skref 4 til 5 til að kveikja á hinum aðalbrennurinum.

	VIÐVÖRUN	
Slökktu á stjórnbúnaði og gaskút þegar þeir eru ekki í notkun. Gakktu úr skugga um að þegar tengd slanga snertir ekki hlýjan flöt.		

	VARÚÐ	
Ef EKKI kviknar á grillinu innan 5 sekúndna skaltu slökkva á brennarannum ○, bíða í 5 mínútur og endurtaka kveikinguna. Ef ekki kviknar á brennarannum þegar lokinn er opinn mun gas halda áfram að flæða út úr brennarannum og getur kviknað óvart í því og valdið meiðslum.		

Kveiking með eldspýtu

- **Ekki halla þér yfir grillið þegar kveikt er upp í því.**
- 1. Snúðu stjórnlokum gasbrennarans í ○ (af).
- 2. Opnaðu lokið við kveikingu og endurkveikingu.
- 3. Skrúfaðu FRÁ gasinu á LP kútnum.
- 4. Settu eldspýtuna í eldspýtuhalðarann (hangir á hliðarþili grillsins). Kveiktu á eldspýtunni; kveiktu síðan á brennarannum með því að setja eldspýtuna í gegnum eldspýtugatið á hliðinni á grillinu. Ýttu eldspýtunni strax inn og snúðu brennarahnúðinum í **stöðuna HÁTT**. Gakktu úr skugga um að það kvikni á brennarannum og að hann logi áfram.
- 5. Kveiktu á nálægum brennurum í röð með því að ýta á hnúðana og snúa þeim í **stöðuna HÁTT**.



Særandi Brennari kveikjúljós

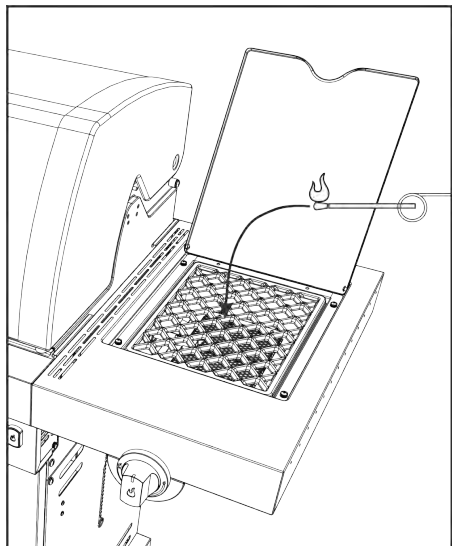
Hallaðu þér ekki yfir grillinu meðan kveikt er.

1. Snúðu lokalokum fyrir gasbrennara á OFF.
2. Opnaðu lokið við lýsingu eða endurlýsingu.
3. Kveiktu á gasi á LP strokka.
4. Snúðu hnappinum fyrir Særandi Brennari í HÁA stöðu, ýttu á og haltu inni rafmagns kveikitakkanum.
5. Ef Sear Burner kviknar EKKI innan 5 sekúndna, snúðu hnappnum á OFF, bíddu í 5 mínútur og endurtaktu síðan lýsingarferlið.

Særandi Brennari PassaLýsing

Hallaðu þér ekki yfir grillinu meðan kveikt er.

1. Snúðu lokalokum fyrir gasbrennara á OFF.
2. Opnaðu lokið við lýsingu eða endurlýsingu.
3. Kveiktu á gasi á LP strokka.
4. Settu kveikt eldspýtu nálægt brennara. Snúðu strax Særandi Brennari hnappinum í HÁA stöðu. Vertu viss um að brennarinn logi og logi áfram.



VARÚÐ

VIÐVÖRUN UM KÖNGULÆR!

KÖNGULÆR OG VEFIR INNAN Í BRENNURUM

Ef erfitt er að kveikja á grillinu eða ef logarnir eru veikir skaltu athuga og þrifa rennslisviðnámsop og brennara.

Köngulær eða lítil skordýr geta valdið „blossum“ með því að búa til hreiður og verpa eggjum í rennslisviðnámsop eða brennara grillsins sem hindra gasflæðið. Það getur kviknað í uppsafnaða gasinu á bak við stjórnborðið. Blossarnir geta skemmt grillið og valdið meiðslum. Til að koma í veg fyrir blossa og tryggja snurðulausa notkun ætti að fjarlægja brennarann og rennslisviðnámsrórin og þrifa þegar grillið hefur ekki verið notað um langan tíma.

EF EKKI KVEIKNAR Á GRILLINU

- Gakktu úr skugga um að skrúfað sé frá gaskútinum.
- Gakktu úr skugga um að gas sé í kútnum.
- Myndar kveikjan neistahljóð?
 - Ef já, skaltu athuga neista við brennarann.
 - Ef enginn neisti skaltu athuga hvort vírar séu skemmdir eða lausir.
- Ef vírar eru í LAGI skaltu athuga sprungin eða skemmd rafskaut, skiptu um ef þörf krefur.
- Ef vírar eða rafskaut eru hulin matarleifum skaltu þrifa odd rafskautsins með alkóhólþurrku ef þörf krefur.
- Ef þörf krefur skal skipta um víra.
- Ef ekkert hljóð heyrir skaltu athuga rafhlöðuna.
- Gakktu úr skugga um að rafhlaðan sé rétt sett í.
- Athugaðu lausar vírtengingar hjá einingunni og rofanum.
- Ef kveikjan virkar enn ekki skaltu nota eldspýtu.

Lekapróf á lokum, slöngu og stilli

Framkvæmdu lekapróf fyrir fyrstu notkun, að minnsta kosti einu sinni á ári og í hvert sinn sem skipt er um gaskútinn eða hann aftengdur.

1. Snúðu öllum stjórnhnúðum grillsins á ○.
2. Gakktu úr skugga um að stillirinn sé tengdur með þéttum hætti við kútinn.
3. Skrúfaðu frá gasinu. Ef þú heyrir lofthljóð skaltu skrúfa strax fyrir gasið. Tengingin lekur mikið. Lagfærðu áður en lengra er haldið.
4. Berðu sápulausn (blanda með helmingi sápu og helmingi vatni) á slöngutengingarnar.
5. Ef vaxandi bólur myndast er leki til staðar. Skrúfaðu strax fyrir gaskútinn og athugaðu þétni tenginga. Ef ekki er hægt að stöðva lekann skaltu ekki reyna að gera við. Hringdu og pantaðu varahluti.
6. Skrúfaðu ávallt fyrir gaskútinn eftir lekapróf.

68

Þrif á brennarsamstæðu

Fylgdu leiðbeiningunum til að þrifa og/eða skipta um hluta brennarsamstæðunnar eða ef þú átt í erfiðleikum með að kveikja á grillinu.

1. **Skrúfaðu fyrir gas með stjórnhnúðum og á LP kúti.**
2. Fjarlægðu grillristarnar og hitatjöldin.
3. Fjarlægðu aðfærslurörin og íhluti sem festa brennarana.
4. Taktu rafskautið af brennarum.

ATHUGAÐU: Aðferðin við hvernig brennararnir eru fjarlægðir/losaðir fer eftir gerð þeirra. Sjá mismunandi gerðir á myndunum að neðan.

5. Lyftu hverjum og einum brennara varlega í burtu frá lokaopunum. Við ráðleggjum þrjár leiðir til að þrifa brennararörin. Notaðu þá sem er auðveldust fyrir þig.

A. Beygðu stífan vír (vírherðatré virkar vel) í lítinn krók. Stingdu króknum í gegnum öll brennararörin nokkrum sinnum.



B. Notaðu mjóan flöskubursta með sveigjanlegu handfangi (ekki nota messingvirkbursta). Stingdu burstanum í gegnum öll brennararörin nokkrum sinnum.

C. Notaðu augnhlifar: Notaðu loftslöngu til að þvinga loft inn í brennararörið og út um brennaraopin. Skoðaðu öll opin til að ganga úr skugga um að loft komi út um þau öll.

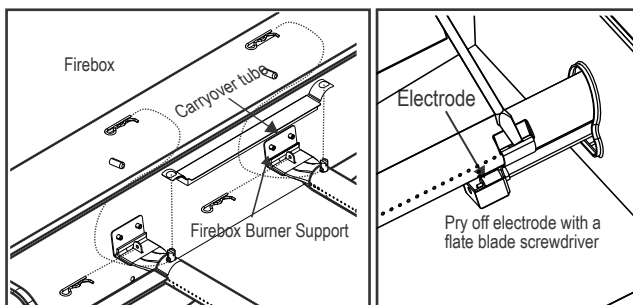
6. Virburstaðu allt ytra yfirborð brennarans til að fjarlægja matarleifar og óhreinindi.
7. Þrifðu stífluð op með stífum vír eins og opinni pappírsklemmu.
8. Athugaðu skemmdir á brennarum vegna eðlilegs slits og tæringar, það getur verið að sum opin hafi stækkað. Ef stórar sprungur eða göt finnast skal skipta um brennarann.

MJÖG MIKILVÆGT: Brennararörin verða að tengjast lokaopunum. Sjá myndirnar til hægri.

Rétt tenging á brennara og loka



9. Festu rafskaut við brennara.
10. Skiptu varlega um brennarana.
11. Festu brennarana við festingarnar í eldhólfinu.
12. Settu aðfærslurörin aftur í og festu við brennarana. Skiptu um hitatjöldin og grillristarnar.
13. Áður en þú eldar aftur á grillinu skaltu framkvæma „lekaþróf“ og „skoðun á loga brennara“.



Geymsla á grillinu

- Þrifðu grillristar.
- Geymdu á þurrum stað.
- Þegar gaskútur er tengdur við grillið skal geyma það utandyra á vel loftrýmdu svæði og þar sem börn ná ekki til.
- Hyldu grillið ef það er geymt utandyra.
- Geymdu grillið AÐEINS innandyra ef skrúfað er fyrir gaskútinn og hann aftengdur, fjarlægður frá grillinu og geymdur utandyra.
- Þegar grillið er tekið úr geymslu skal athuga hindranir í brennurum.

Almenn hreinsun tækja

Regluleg hreinsun á þessu grilli er nauðsynleg, þar sem grilleddar geta komið upp þegar fitu og matar rusl safnast í botn grillsins. Eftir hverja notkun skaltu fjarlægja mataragnir sem eftir eru úr eldunargrindinni og innan úr grillinu með Char-Broil Cool-Clean bursta. Eftir á þú gætir úðað Char-Broil Grate Cleaner rausnarlega á grillið, leyft því að vinna í 10 mínútur og þurrkað af með blautum klút eða bursta. framkvæma grillhreinsun eftir að grillið hefur kólnað.

• Ekki mistaka brúna eða svarta fitusófnun og reyk fyrir málningu. Innréttingar á gasgrillum eru ekki málaðar í verksmiðjunni (og ætti aldrei að mála). Notaðu sterka lausn af þvottaefni og vatni eða notaðu hreinsiefni fyrir heimilistæki með kjarrbursta innan á loki og botni tækisins. Skolið og látið þorna það alveg. Ekki má nota ætandi tæki / ofnhreinsiefni á málaða fleti.

• Plasthlutar: Þvoið með volgu sápuvatni og þurrkið þurr. Ekki nota slípiefni, fituhreinsiefni eða einbeittan heimilishreinsiefni á plasthluta. Skemmdir á og bilun á hlutum geta orðið.

• Yfirborð postulíns: Vegna glerlíkrar samsetningar er hægt að þurrka flestar leifar með matarsóða / vatnslausn, glerhreinsiefni eða Char-Broil Grate Cleaner. Notaðu slípiefni gegn slípiefni við þrjóska bletti.

• Málaðir fletir: Þvoið með mildu þvottaefni eða hreinsiefni og volgu sápuvatni eða Char-Broil Grillhreinsiefni. Þurrkaðu þurr með mjúku óslípandi klút.

• Eldunarflatir: Gakktu úr skugga um að engin laus burst sé eftir á eldunarflötunum áður en grillað er. Þó að grillið sé heitt er aðeins mælt með því að hreinsa eldunarflötina með Char-Broil Hot-Clean skiptihöfuðinu (á Char-Broil Cool-Clean Premium bursta).

HREIN stilling

Grillið þitt er búið nýstárlegu HREINU stillingu sem gerir ráð fyrir þræta án þrifa á grilli. Hinn mikli hiti sem myndast frá brennurum mun breyta öllu matarsorpi sem eftir er í ösku.

Fylgdu þessum skrefum:

- Eftir að grillinu er lokið, stilltu alla aðal brennara í HREIN stillingu og vertu í um það bil 12 - 15 mínútur
- Eftir um það bil 12 - 15 mínútur, stilltu alla aðalbrennara í OFF stillingu og leyfðu grillinu að kólna
- Þegar grillið er orðið kalt, notaðu Char-Broil Cool-Clean bursta til að fjarlægja rusl sem eftir er og farga öskunni
- Til að fá auka glansandi árangur skaltu nota Char-Broil Grate Cleaner sem síðasta skrefið. Sprautaðu ríkulega á ristina, leyfðu því að vinna í 10 mínútur og þurrkaðu af með blautum klút eða bursta.

TÆKNILEGAR UPPLÝSINGAR CHAR-BROIL, LLC				
Heiti tækis	Gasgrill			
Málhitaintak í heild	9.67 kW (704 g/h)		9.67 kW (704 g/h)	
Gasflokkur	I3+(28-30/37)	I3B/P(30)	I3B/P(50)	
Módelnr.	468972023		468782023	
Gasgerð	Bútan	Própan	Bútan, própan eða blöndur þeirra	Bútan, própan eða blöndur þeirra
Gasþrýstingur	28-30 mbar	37 mbar	30 mbar	50 mbar
Spíssstærð (þv. mm)	Grill: 0,86 x 2 stk.		Grill: 0,86 x 2 stk.	Grill: 0,75 x 2 stk.
Særandi Brennari Spíssstærð (þv. mm)	0,91 x 1 pcs		0,91 x 1 pcs	0,81 x 1 pcs
Markaðslönd	GB, FR, BE, ES, IT, PT, CZ, SK, CH, CY, GR, IE, LT, LU, LV, SI	DK, NO, NL, SE, FI, IS, CZ, IT, SK, BG, CY, EE, HR, HU, LT, LU, LV, MT, RO, SI, TR	AT, DE, CH, LU, SK	

Ryðfrítt stál

Það eru margar gerðir (málblendir) af efni sem falla undir að vera ryðfrítt stál.

Það sem þessar mismunandi gerðir eiga sameiginlegt er að þau geta tærst (oxíderast) eftir þeim aðstæðum sem þau verða fyrir.

Það sama gildir um grillið þitt.

Til að tryggja að grillið haldi útliti sínu og virkni í mörg ár skaltu fylgja eftirfarandi ráðum að neðan.

1) Ef grillið hefur blotnað eða er rakt skaltu ganga úr skugga um að þurrka það með klút til að koma í veg fyrir tæringu yfirborðsins.

2) Ryðfrítt stál getur ryðgað við ákveðnar aðstæður. Það getur átt sér stað vegna aðstæðna í umhverfinu eins og vegna klórs eða saltvatns eða rangra áhalda við þrif eins og víra eða stálullar. Það getur einnig upplitast vegna hita, iðefna eða uppsöfnunar á feiti.

3) Til að viðhalda vönduðu útliti grillsins skaltu þvo það með mildu hreinsiefni og heitu sápuvatni og þurrka það með mjúkum klút eftir hverja notkun. Það getur verið að nota verði hrjúfan plasthreinsipúða á leifar sem festu hafa við notkun. Notaðu aðeins í burstuðu áttina til að koma í veg fyrir skemmdir. Ekki nota hrjúfa púða á svæði með grafík.

4) Berðu feiti á innri hluti grillsins og ristarnar með matarolíu.

Athugaðu:

Til að koma í veg fyrir að yfirborðið rispist og myndi þannig grunn fyrir ryð skaltu aldrei nota stálull eða svipuð efni við þrif á ryðfríu stáli.

Við þrif skaltu vinna í sömu átt og burstun ryðfría stálsins - „með röndunum“.

Þrif með hrjúfum efnum getur skilið eftir sig rispur.

Ef grillið er geymt nálægt strönd, sundlaug eða heilsulind tærast það (oxíderast).

Hyldu grillið til að verja það gegn ryði.

MONTÉR:

Tento návod nechte spotřebiteli.

SPOTŘEBITEL:

Tento návod si uschovejte pro budoucí referenci.

Otázky:

Pokud během sestavování nebo používání tohoto přístroje budete mít otázky, obraťte se na místního prodejce.

NEBEZPEČÍ

Pokud ucítíte plyn:

1. Vypněte přívod plynu do přístroje.
2. Uhasťte otevřený oheň.
3. Otevřete víko.
4. Pokud zápach trvá, nezdržujte se v blízkosti přístroje a ihned zavolejte dodavateli plynu nebo požární stanici.

VAROVÁNÍ

1. V blízkosti tohoto nebo jiných přístrojů neskladujte ani nepoužívejte benzín nebo jiné hořlavé kapaliny.
2. V blízkosti tohoto nebo jiných přístrojů nepoužívejte plynový válec, který není připojený pro účely používání.

UPOZORNĚN

- Než se pokusíte přístroj sestavit a vařit na něm, přečtěte si a dodržujte všechny bezpečnostní pokyny, návod k sestavení a péči.
- Některé díly mohou mít ostré hrany. Doporučujeme používání ochranných rukavic.

Hořící tuk

- Hořící tuk není možné uhasit zavřením víka. Grily jsou z bezpečnostních důvodů řádně větrané.
- K hašení hořícího tuku nepoužívejte vodu. Hrozí riziko poranění osob. Pokud dojde k trvalému hoření tuku, vypněte knoflíky a plynový válec.
- Pokud přístroj pravidelně nečistíte, může dojít ke vzplanutí tuku, které může výrobek poškodit. Při předeřívání nebo vypalování zbytků potravin buďte opatrní, aby nedošlo k hoření tuku. Pro zabránění požáru tuku dodržujte pokyny k obecnému čištění přístrojů a čištění sestavy hořáku. Nejlepším způsobem zabránění požáru tuku je pravidelné čištění přístroje.
- Při předeřívání nebo spalování zbytků potravin z grilu nenechávejte gril bez dozoru. Pokud gril pravidelně nečistíte, může nastat spalování tuku, které může poškodit výrobek.

VAROVÁNÍ

Pokyny k bezpečnému používání přístroje a prevenci vážného poranění:

- **POUŽÍVEJTE POUZE VENKU. NIKDY NEPOUŽÍVEJTE VEVNITŘ. Než začnete přístroj používat, přečtěte si tyto pokyny. Vždy je dodržujte.**
- Během používání přístrojem nepohybujte.
- Přístupné díly mohou být velmi horké. Udržujte mimo dosah dětí. Nenechte děti pohybovat se nebo hrát si v blízkosti přístroje.
- Po použití vypněte zásobení válce plynem.
- Tento přístroj musí být během používání uchovávan mimo hořlavé materiály.
- Neblokujte otvory po stranách nebo na zadní stěně přístroje.
- Pravidelně kontrolujte plameny hořáku.
- Neblokujte Venturiho trubice na hořáku.
- Přístroj používejte pouze v řádně větraném prostoru. NIKDY nepoužívejte v uzavřeném prostoru, jako je přístřešek pro auto, garáž, přístřešek, uzavřená terasa nebo pod stropní strukturou jakéhokoli druhu.
- Na plynovém přístroji nepoužívejte černé uhlí nebo brikety.
- **NEPŘEKRÝVEJTE** mřížky alobalem ani jiným materiálem. Došlo by tím k zablokování větrání hořáku a vzniku potenciálně nebezpečného stavu vedoucího k poškození majetku nebo poranění osob.
- **Přístroj používejte nejméně ve vzdálenosti 1 metro od jakékoli stěny nebo povrchu.** Udržujte vzdálenost 3 m od objektů, které mohou zachytit plamen, nebo od zdrojů vznícení, jako jsou pilotní kontrolky na ohřívacích vody, živé elektrické přístroje atd.



- NIKDY se nepokoušejte zažehnout hořák, když je zavřené víko. Nahromadění nevznětlivého plynu uvnitř zavřeného přístroje je nebezpečné.
- Před přemístěním plynového válce z dané provozní polohy vždy vypněte plyn na válci a odpojte regulátor.
- Přístroj nikdy neprovozujte s plynovým válcem mimo správnou pozici.
- Přístroj nemodifikujte. Jakákoli modifikace je přísně zakázána. Uživatel nesmí manipulovat s utěsněnými díly. Nedemontujte vstříkovače.

Bezpečnostní tipy

- Před otevřením plynového válce zkontrolujte těsnost regulátoru.
- Když přístroj nepoužíváte, vypněte všechny kontrolky a plyn.
- Používejte grilovací příslušenství s dlouhou rukojetí a chňapky, abyste se vyhnuli popáleninám a postříkání horkým tukem. Při manipulaci s horkými součástmi používejte ochranné rukavice.
- Maximální zatížení plotýnky (pokud je k dispozici) a postranního regálu je 4,5 kg. Minimální průměr varné nádoby je 200 mm a maximální 260 mm.
POZNÁMKA: Gril NEMUSÍ být vybaven plotýnkou.
- Pokud je k dispozici kelímek na tuk, musí být vložen do přístroje a po každém použití vyprázdněn. Kelímek na tup nevyjímejte, dokud přístroj zcela nevychladne.
- Při otvírání víka buďte velmi opatrní, protože může dojít k úniku horké páry.
- Pokud jsou v blízkosti děti, starší osoby nebo domácí zvířata, buďte velmi opatrní.
- Pokud si všimnete, že z přístroje kape tuk nebo jiný horký materiál na ventil, hadici nebo regulátor, vypněte ihned dodávku plynu. Určete příčinu, napravte ji a potom vyčistěte a zkontrolujte ventil, hadici a regulátor. Teprve potom pokračujte. Provedte test na únik.
- Neuchovávejte objekty ani jiné materiály uvnitř krytu vozíku přístroje. Tím by došlo k zablokování průtoku spalovaného vzduchu do spodní strany ovládacího panelu nebo misky plamenice.
- NEODPOJUJTE ani nevyměňujte plynový kontejner ve vzdálenosti do 3 metrů od otevřeného ohně nebo jiného zdroje vznícení.

Umístění válce

Válec umístěný v zařízení musí mít maximální průměr 340 mm a maximální výšku včetně regulátoru 580 mm. Větší válec je třeba umístit pouze pod boční polici nebo za gril. Válec umístěný na zemi nesmí být umístěn pod horkou deskou.

Požadavky na regulátor.

S tímto přístrojem je nutné používat regulátor. Používejte pouze plynový regulátor dodaný s grilem. Pokud regulátor není součástí dodávky, použijte pouze regulátor certifikovaný podle normy EN16129 (maximální rychlost průtoku 1,5 kg/h) a schválený jako regulátor pro vaši zemi a plyn specifikovaný v části Technické údaje.

Požadavky na hadici

Používejte pouze schválenou hadici certifikovanou podle příslušné normy EN, jejíž délka nepřekračuje 1,5 m. Ve Finsku nesmí být hadice delší než 1,2 m.

Před každým použitím zkontrolujte, zda nejsou hadice uříznuté nebo opotřebené. Zkontrolujte, zda není hadice ohnutá. Zajistěte, aby se připojená hadice nedotýkala žádných teplých povrchů. Před použitím přístroje vyměňte poškozené hadice. Hadici vyměňujte v souladu s místními požadavky.

Zapálení podpalovače

- Při zapalování se nenaklánějte nad gril.

1. Otočte ventily ovládání plynového hořáku do polohy ○ (vypnuto).
2. Během zapalování nebo opětovného zapalování otevřete víko.
3. Zapněte plyn na válci LP.
4. Při zapalování otočte knoflík hořáku do polohy 🔥 VYSOKÉ. Ihned stiskněte a podržte tlačítko ELECTRONIC IGNITOR (elektrické zapalování) a počkejte na zažehnutí hořáku.
5. Pokud se hořák NEZAŽEHNE během 5 sekund, vypněte kontrolky hořáku ○, počkejte 5 minut a proces zapalování zopakujte.
6. Opakujte kroky 4 a 5 k zapálení ostatních hlavních hořáků.



Pokud nepoužíváte ovládací prvky a plynovou láhev, vypněte je. Zajistěte, aby se připojená hadice nedotýkala žádných teplých povrchů.

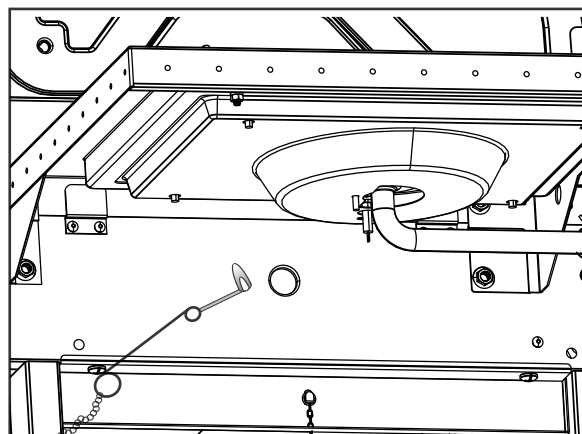


Pokud se hořák NEZAŽEHNE během 5 sekund, vypněte kontrolky hořáku ○, počkejte 5 minut a proces zapalování zopakujte. Pokud se hořák nezažehne při otevřeném ventilu, bude dál proudit plyn z hořáku a může dojít k jeho náhodnému vzplanutí. To s sebou nese riziko poranění.

Použití zápalek

- Při zapalování se nenaklánějte nad gril.

1. Otočte ventily ovládání plynového hořáku do polohy ○ (vypnuto).
2. Během zapalování nebo opětovného zapalování otevřete víko.
3. Zapněte plyn na válci LP.
4. Zápalky položte na držák (na boční straně grilu). Škrtněte zápalkou a potom zažehněte hořák vložením zápalky do otvoru na zápalku na boční straně grilu. Ihned otočte knoflík hořáku do polohy 🔥 VYSOKÁ. Ujistěte se, že se hořák zapálil a zůstal zapálený.
5. Postupně zapalujte sousedící hořáky stisknutím tlačítek a otočením do polohy 🔥 VYSOKÁ.



Osvětlení zapalování Spalovací hořák

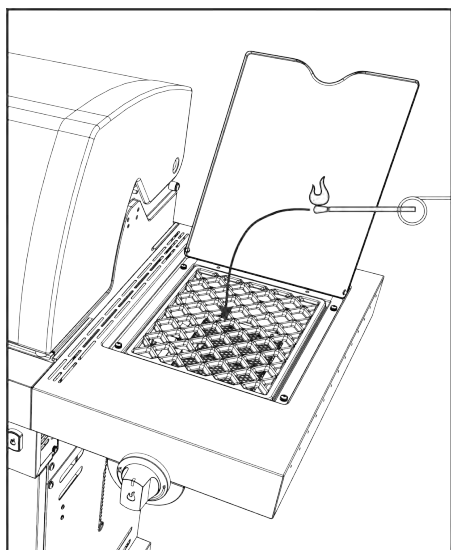
Při osvětlení se nenaklánějte nad gril.

1. Vypněte regulační ventily plynového hořáku.
2. Otevřete víko během osvětlení nebo opětovného osvětlení.
3. Zapněte plyn na LP lahvi.
4. Otočte knoflíkem Spalovací hořák do polohy HIGH, stiskněte a podržte tlačítko ELEKTRONICKÉHO ZAPALOVAČE.
5. Jestliže Spalovací hořák NESVÍTÍ do 5 sekund, otočte knoflík do polohy OFF, počkejte 5 minut a poté opakujte postup zapalování.

Spalovací hořák Match Lighting


Při osvětlení se nenaklánějte nad gril.

1. Vypněte regulační ventily plynového hořáku.
2. Otevřete víko během osvětlení nebo opětovného osvětlení.
3. Zapněte plyn na LP lahvi.
4. Umístěte zapálenou zápalku poblíž hořáku. Okamžitě otočte knoflíkem Spalovací hořák do polohy HIGH. Ujistěte se, že hořák svítí a zůstává svítit.



Testování ventilů, hadice a regulátoru na únik plynu

Test úniku provádějte před prvním použitím, nejméně jednou ročně a při každé výměně nebo odpojování válce.

1. Přesuňte všechny ovládací knoflíky na přístroji do polohy .
2. Ujistěte se, že je regulátor těsně připevněný k plynovému válci.
3. Zapněte plyn. Pokud uslyšíte syčivý zvuk, ihned plyn vypněte. Ve spoji dochází k zásadnímu úniku. Než budete pokračovat, závadu opravte.
4. Očistěte spoje hadiček kartáčkem s mýdlovým roztokem (směs vody a mýdlového roztoku v poměru 1:1).
5. Pokud se objeví narůstající počet bublin, dochází k úniku. Ihned vypněte plyn ve válci a zkontrolujte těsnost spojů. Pokud únik nelze zastavit, nepokoušejte se o opravu. Vyžádejte si náhradní díly.
6. Po provedení testu úniku vždy vypněte plyn ve válci.

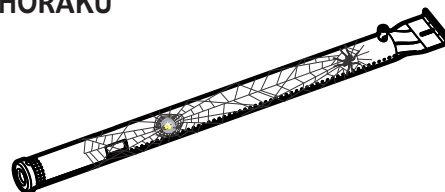


UPOZORNĚN



UPOZORNĚNÍ NA PAVOUKY!

. AVOUCI A PAVUČINY UVNITŘ HOŘÁKU



Pokud se vám gril nespolehlivě zapaluje nebo je slabý plamen, zkontrolujte a vyčistěte Venturiho trubice a hořáky.

Je známo, že pavouci nebo malý hmyz způsobují problémy se „zpětným výšlehem plamene,“ protože si budují hnízda a nechávají vajíčka ve Venturiho trubici nebo hořácích a blokují tak průtok plynu. Nahromaděný plyn může za ovládacím panelem vzplanout. Tento zpětný výšleh plamene může gril poškodit a způsobit poranění. Pro zabránění zpětného výšlehu plamene a zajištění správného výkonu je vhodné vyjmout sestavení hořáku a Venturiho trubice a vyčistit je pokaždé, když byl gril delší dobu v nečinnosti.

POKUD NENÍ MOŽNÉ ZAPÁLIT PLYN

- Ujistěte se, že je ve válci zapnutý přívod plynu.
- Ujistěte se, že je ve válci plyn.
- Ozývá se ze zapalovače zvuk jiskření?
Pokud ano, zkontrolujte, zda jsou jiskry u hořáku.
Pokud ne, zkontrolujte, zda nejsou poškozené nebo uvolněné dráty.
- Pokud jsou dráty v pořádku, zkontrolujte, zda není prasklá nebo zlomená elektroda a v případě potřeby ji vyměňte.
- Pokud jsou na drátech nebo elektrodách zbytky po vaření, vyčistěte v případě potřeby hrot elektrody ubrouskem namočeným v alkoholu.
- Pokud to bude potřeba, vyměňte dráty.
- Pokud se neozývá žádný zvuk, zkontrolujte baterii.
- Ověřte, zda je baterie správně vložena.
- Zkontrolujte, zda nejsou uvolněné spoje drátů v modulu a spínači.
- Pokud zapalovač stále nefunguje, použijte zápalky.

Čištění sestavy hořáku

Podle následujících pokynů vyčistíte nebo vyměňte díly sestavy hořáku. Tento postup proveďte také v případě, že máte problém se zažehnutím plamene.

1. **Vypněte plyn na ovládacích knoflících a válci LP.**
2. Sundejte grilovací mřížky a tepelné stany.
3. Sundejte propouštěcí trubky a prvky zajišťující hořáky.
4. Odpojte z hořáku elektrodu.

POZNÁMKA: Způsob demontáže závisí na konfiguraci hořáku. Viz různé konfigurace na následujících obrázcích.

5. Opatrně zažehněte jednotlivé hořáky směrem nahoru a mimo otvory ventilů. Trubky hořáku doporučujeme čistit jedním ze tří způsobů. Vyberte si ten, který považujete za nejjednodušší.

A. Vytvarujte pevný drát (vhodné je třeba drátěné ramínko na šaty) do malého háčku. Několikrát háček protáhněte jednotlivými trubicemi hořáků.



B. Použijte tenký kartáček na láhve s pružnou rukojetí (nepoužívejte mosazný drátový kartáček). Několikrát kartáček protáhněte jednotlivými trubicemi hořáků.

C. Používejte ochranu očí: Vzduchovou hadicí foukejte vzduch do trubice hořáku a ven z otvorů hořáků. Zkontrolujte u každého otvoru, zda vychází vzduch ven.

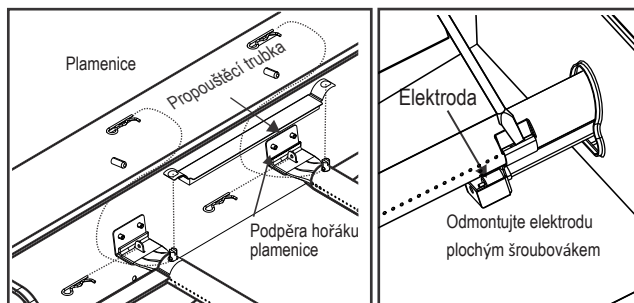
6. Drátěným kartáčkem otřete celý vnější povrch hořáku k odstranění zbytků jídla a nečistot.
7. Jakékoli zablokované otvory vyčistíte pevným drátem, například rozevřenou svorkou na papír.
8. Zkontrolujte, zda není hořák poškozený v důsledku běžného opotřebení a koroze. Některé otvory mohou být zvětšené. Pokud najdete velké praskliny nebo díry, hořák vyměňte.

VELMI DŮLEŽITÉ: Trubice hořáku musí znovu zapadnout do otvorů ventilů. Viz obrázek napravo.

Správné zapojení hořáku k ventilu



9. Připojte k hořáku elektrodu.
10. Opatrně nasadte hořáky.
11. Připojte hořáky ke konzolám na plamenici.
12. Znovu nasadte propouštěcí trubky a připojte je k hořákům. Nasadte zpět tepelné stany a grilovací mřížky.
13. Před dalším použitím grilu proveďte *test úniku a kontrolu plamene hořáku*. and "Burner Flame Check".



Skladování přístroje

- Vyčistíte grilovací mřížky.
- Uchovejte je na suchém místě.
- Když je k přístroji připojen plynový válec, uchovávejte jej venku v řádně větraném prostoru a mimo dosah dětí.
- Pokud přístroj uchováváte venku, přikryjte ho.
- Přístroj uchovávejte uvnitř, POUZE pokud je plynový válec vypnutý a odpojený, vyjmutý z přístroje a uchovávaný venku.
- Při vyjímání přístroje z úložného prostoru zkontrolujte, zda nejsou hořáky blokovány.

Čištění obecného spotřebiče

Pravidelné čištění tohoto grilu je nutné, protože může dojít k požáru grilu, když se na dně grilu hromadí mastnota a zbytky jídla. Po každém použití odstraňte všechny zbytky jídla z roštu a uvnitř grilu pomocí kartáče Char-Broil Cool-Clean. Později můžete na rošt nastříkat Char-Broil Grate Cleaner, nechat ho 10 minut působit a setřít vlhkým hadříkem nebo štětcem. po ochlazení grilu proveďte čištění grilu.

• Nezaměňujte hnědé nebo černé nahromadění mastnoty a kouře s barvou. Interiéry plynových grilů nejsou v továrně natřeny (a nikdy by neměly být natřeny). Naneste silný roztok čistícího prostředku a vody nebo použijte čistící prostředek zařízení s kartáčem na vnitřní stranu víka a spodní části zařízení. Opláchněte a nechte úplně uschnout na vzduchu. Na lakované povrchy neaplikujte žíravý přípravek / čistící trouby.

• Plastové díly: Omyjte teplou mýdlovou vodou a osušte. Na plastové části nepoužívejte abrazivní čistící prostředky, odmašťovače ani koncentrovaný čistící prostředek na zařízení. Mohlo by dojít k poškození a selhání dílů.

• Porcelánové povrchy: Díky složení podobnému sklu lze většinu zbytků setřít roztokem sody / vody na pečení, čistěčem skla nebo čistěčem roštu Char-Broil. Na odolné skvrny použijte neabrazivní čistící prášek.

• Natřené povrchy: Umyjte jemným čistícím prostředkem nebo čistěčem a teplou mýdlovou vodou nebo čistěčem na gril Char-Broil. Otřete dosucha měkkým hadříkem neabrazivní hadřík.

• Varné plochy: Zajistěte, aby na grilovacích plochách nezůstaly žádné volné štětiny. Zatímco je gril horký, doporučuje se čistit povrchy vaření pouze pomocí výměnné hlavice Char-Broil Hot-Clean (na kartáčku Char-Broil Cool-Clean Premium).

♦♦ ČISTÉ nastavení

Váš gril je vybaven inovativním nastavením CLEAN, které umožňuje bezproblémové čištění grilu. Vysoké teplo generované z hořáků změní všechny zbytky jídla na popel.

Následuj tyto kroky:

- Po dokončení grilování nastavte všechny hlavní hořáky na ČISTÉ a zůstaňte přibližně 12 - 15 minut
- Po přibližně 12 - 15 minutách nastavte všechny hlavní hořáky do polohy VYPNUTO a nechte gril vychladnout
- Jakmile je gril v chladu, odstraňte pomocí Char-Broil Cool-Clean Brush veškeré zbytky a popel zlikvidujte.
- Chcete-li získat mimořádně lesklé výsledky, použijte jako poslední krok čistěč roštu Char-Broil. Velkoryse nastříkejte na rošt, nechte působit 10 minut a setřete vlhkým hadříkem nebo štětcem.

TECHNICKÉ ÚDAJE CHAR- BROIL, LLC

Název přístroje	Plynový gril			
Celkový nominální teplotní vstup	9.67 kW (704 g/h)		9.67 kW (704 g/h)	
Kategorie plynu	I3+(28-30/37)	I3B/P(30)	I3B/P(50)	
Č. modelu	468972023		468782023	
Typ plynu	Butan	Propan	Butan, propan nebo jejich směsi	Butan, propan nebo jejich směsi
Tlak plynu	28–30 mbar	37 mbar	30 mbar	50 mbar
Velikost vstřikovače (průměr mm)	Roř: 0,86 x 2 ks		Roř: 0,86 x 2 ks	Roř: 0,75 x 2 ks
Spalovací hořák	0,91 x 1 pcs		0,91 x 1 pcs	0,81 x 1 pcs
Velikost vstřikovače (průměr mm)	0,91 x 1 pcs		0,91 x 1 pcs	0,81 x 1 pcs
Určeno pro země:	GB, FR, BE, ES, IT, PT, CZ, SK, CH, CY, GR, IE, LT, LU, LV, SI	DK, NO, NL, SE, FI, IS, CZ, IT, SK, BG, CY, EE, HR, HU, LT, LU, LV, MT, RO, SI, TR	AT, DE, CH, LU, SK	

Nerezová ocel

Za nerezovou ocel je považována spousta různých typů (slitin) materiálů. Běžnou vlastností těchto různých typů je, že mohou korodovat (oxidovat) v závislosti na podmínkách, kterým jsou vystaveny.

To platí i pro váš nový gril.

Pro zajištění zachování vzhledu a funkčnosti grilu po mnoho let se prosím řiďte následujícími radami.

- 1) Pokud se gril namočí nebo zvlhne, utřete ho dosucha utěrkou. Tím předejdete zrezivění jeho povrchu.
- 2) Nerezová ocel může za určitých podmínek korodovat. Důvodem mohou být vnější podmínky jako chlorovaná nebo slaná voda nebo nesprávné nástroje k čištění, například drátěný kartáč nebo drátěnka. Může také nastat ztráta barvy v důsledku tepla, chemikálií nebo hromadění tuku.
- 3) Pro zachování kvalitního vzhledu přístroje doporučujeme umývat ho mírným roztokem čisticího prostředku a teplé mýdlové vody a utřít dosucha jemným hadříkem po každém použití. Spečený tuk může vyžadovat použití abrazivní plastové čisticí utěrky. Používejte pouze ve směru brusného povrchu, aby nedošlo k poškození. Abrazivní utěrku nepoužívejte na oblastech s obrázkem.
- 4) Vnitřní části a mřížky grilu natřete tukem na vaření.

Poznámka:

Z důvodu zabránění poškrábání povrchu, který by připravil základ pro korozi, k čištění nerezové oceli nikdy nepoužívejte drátěnku ani podobné nástroje.

Při čištění postupujte ve stejném směru, v jakém je kartáčovaná nerezová ocel – „po srsti“. Čištění abrazivními prostředky může zanechat škrábance.

Uchování grilu v blízkosti pobřeží, bazénu nebo sauny způsobí korozi (oxidaci) grilu.

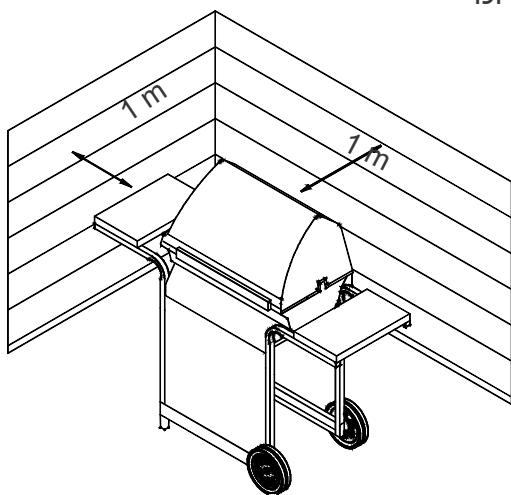
Pro zajištění ochrany před korozi gril přikryjte.

⚠ אזהרה ⚠

לשימוש בטוח במכשיר שלך וכדי להימנע מפגיעות חמורות: • השתמש בחוץ בלבד. אין להשתמש במקומות סגורים.

קרא את ההנחיות לפני השימוש במכשיר. יש לפעול תמיד לפי ההנחיות הללו

- אין להזיז את המכשיר במהלך השימוש.
- חלקים נגישים עלולים להיות חמים מאוד. יש להרחיק ילדים. אין לאפשר לילדים להשתמש או לשחק בקרבת המכשיר.
- יש לכבות את אספקת הגז בצינור לאחר השימוש.
- יש לשמור את המכשיר הרחק מחומרים דליקים במהלך השימוש.
- אין לחסום את החורים בצדי המכשיר או בחלקו האחורי.
- יש לבדוק את להבות המבער באופן קבוע.
- אין לחסום את פתחי הוונטורי במבער.
- יש להשתמש במכשיר רק במקום מאוורר היטב. אין להשתמש בחללים סגורים כמו חניון, מוסך, מרפסת, פטיו סגור או תחת מבנה מכוסה מכל סוג.
- אין להשתמש בפחם או בלבנים קרמיות במכשיר גז.
- **אין לכסות את הרשתות בנייר אלומיניום או בכל חומר אחר.** זה יחסום את אוורור המבער ועלול לגרום למצב מסוכן שיוביל לנזק לרכוש ו/או לפגיעה.
- **יש להשתמש במכשיר במרחק של 1 מ' לפחות מקיר או משטח כלשהו.**
- יש לשמור על מרחק של 3 מ' מחפצים שעלולים להתלקח או מקורות הצתה כמו מצתים במיחמי מים, מכשירי חשמל וכו'.



- אין להצית את המבער כאשר המכסה סגור. הצטברות גז לא מוצת במכשיר סגור היא מסוכנת.
- יש לכבות תמיד את הגז בבלון ולנתק את הווסת לפני העברת בלון הגז ממצב הפעלה מסוים.
- אין להשתמש במכשיר כאשר בלון הגז אינו ממוקם במקום המתאים.
- אין לשנות את המכשיר. כל שינוי הוא אסור בהחלט. אסור למשתמש לתקן חלקים אטומים. אין לפרק מזרקים.

מתקין/מרכיב:

השאר את המדריך אצל הלקוח.

לקוח:

שמור את המדריך על מנת לעיין בו בעתיד.

שאלות:

אם יש לך שאלות במהלך ההרכבה או השימוש במכשיר צור קשר עם הסוכן המקומי שלך.

⚠ סכנה ⚠

אם אתה מריח גז:

1. סגור את אספקת הגז למכשיר.
2. כבה להבות חשופות.
3. פתח את המכסה.
4. אם הריח נמשך, התרחק מהמכשיר וצור קשר עם ספק הגז שלך או עם מכבי האש באופן מיידי.

⚠ אזהרה ⚠

1. אין לאחסן או להשתמש בדלק או בנוזלים דליקים אחרים בסמוך למכשיר זה או כל מכשיר אחר.
2. אין לאחסן צינור גז שאינו מחובר בסמוך למכשיר זה או כל מכשיר אחר.

⚠ זהירות ⚠

- קרא ופעל בהתאם לכל הזהרות הבטיחות, הוראות ההרכבה, והנחיות השימוש והטיפול לפני ההרכבה והבישול.
- חלקים מסוימים עלולים להכיל קצוות חדים. מומלץ ללבוש כפפות מגן.

שריפות שמן

- לא ניתן לכבות שריפות שמן על ידי סגירת המכסה. הגריל מאוורר היטב לצורכי בטיחות.
- אין להשתמש במים על שריפות שמן, זה עלול לגרום לפציעות. אם מתרחשת שריפת שמן ממושכת, סובב את הידיות וסגור את בלון הגז.
- אם המכשיר לא עובר ניקוי באופן קבוע, עלולה לפרוץ שריפת שמן שתפגע במוצר. שים לב בעת חימום מראש או שריפה של שאריות מזון שלא פורצת שריפת שמן. עקוב אחר ההנחיות לניקוי המכשיר ולניקוי רכיבי המבער על מנת למנוע שריפות שמן. הדרך הטובה ביותר למנוע שריפות שמן היא באמצעות ניקוי תכוף של המכשיר.
- אין להשאיר את הגריל ללא השגחה בזמן חימום מראש או שריפות שאריות מזון ב- HI. אם הגריל לא עובר ניקוי באופן קבוע, עלולה לפרוץ שריפת שמן שתפגע במוצר.

הצתת המבער

- אין להישען מעל הגריל במהלך ההצתה.
1. העבר את שסתומי הבקרה של מבער הגז למצב (ICON) (כבוי).
 2. פתח את המכסה במהלך ההצתה או ההצתה מחדש.
 3. הפעל את הגז בבלון LP.
 4. להצתה, לחץ וסובב את ידית המבער למצב גבוה.
 - מיד לאחר מכן, לחץ והחזק את לחצן המצת האלקטרוני עד שהמבער ניצת.
 5. אם לא מתרחשת הצתה בתוך 5 שניות, סובב את בקרי המבער למצב כבוי (ICON), המתן 5 דקות וחזור על הליך ההצתה.
 6. חזור על שלבים 4 ו-5 כדי להצית מבערים ראשיים נוספים.

אזהרה

כבה את הפקדים ואת בלון הגז כשאינם בשימוש.
וודא שכאשר הצינור המחובר אינו נוגע במשטחים חמים.

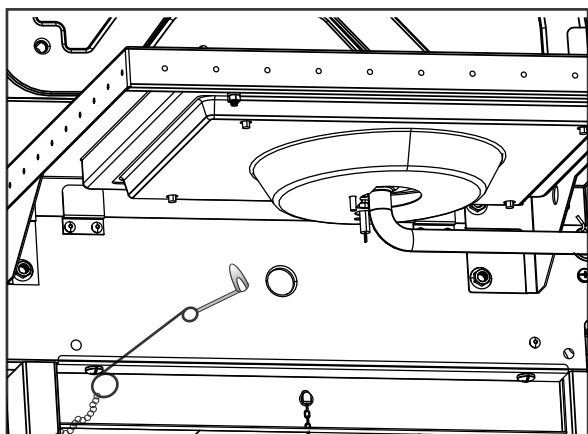
זהירות

אם לא מתרחשת הצתה בתוך 5 שניות, סובב את בקרי המבער למצב כבוי, המתן 5 דקות וחזור על הליך ההצתה. אם המבער לא ניצת כאשר הווסת פתוח, הגז ימשיך לזרום מחוץ למבער ועלול להיות מוצת בטעות ולגרום לפציעה.

תאורת התאמה

אל תישען מעל הברביקיו בזמן ההדלקה.

1. הפעל את שסתומי הבקרה למבער גז למצב (כיבוי).
2. פתח מכסה במהלך תאורה או תאורה מחדשת.
3. הפעל גז בבלון LP.
4. מקם גפרור מואר ליד המבער. סובב מיד את כפתור צורב המבער למצב HIGH. ודא שבערי האורות נשארים דולקים.



- לפני פתיחת שסתום הגז בבלון, וודא שהווסת מהודק.
- כאשר המכשיר אינו בשימוש, כבה את כל הידיות והגז.
- השתמש בכלי גריל בעלי ידית ארוכה ובכפפות לתנור כדי להימנע מכוויות ונתזים. השתמש בכפפות מגן בעת מגע עם רכיבים חמים.
- המשא המקסימלי לפלטה החמה, אם יש, ולמדף הצדדי הוא 4.5 ק"ג. קוטר כלי הבישול המינימלי הוא 200 מ"מ, והמקסימלי הוא 260 מ"מ. שים לב: לא ניתן להוסיף פלטה חמה לגריל שלך!
- הכנס את כוס השמן (אם יש) למכשיר ורוקן אותה לאחר כל שימוש. אין להסיר את כוס השמן עד שהמכשיר התקרר לחלוטין.
- היזהר בעת פתיחת המכסה, עלולים לצאת אדים חמים.
- היזהר בסביבת ילדים, קשישים או חיות מחמד.
- אם אתה מבחין בנזילה של שמן או חומרים חמים אחרים מהמכשיר על שסתום, צינור או ווסת, כבה את אספקת הגז באופן מיידי. מצא את המקור, תקן אותו, ואז נקה ובדוק את השסתום, הצינור והווסת לפני שתמשיך. בצע בדיקת דליפות.
- אין לאחסן חפצים או חומרים בתוך כיסוי עגלת המכשיר שעלולים לחסום את הזרימה של אוויר השריפה לחלק התחתון של לוח הבקרה או של קערת הבעירה.
- אין לנתק או לשנות את מיכל הגז במרחק של 3 מ' מלהבה חשופה או מקור הצתה אחר.

מיקום הבלון

צילינדרים המונחים במכשיר יהיו בקוטר מרבי של 340 מ"מ וגובה מרבי, כולל ווסת, הוא 580 מ"מ. יש להניח צילינדרים גדולים מתחת למדף הצדדי או מאחורי המנגל בלבד. צילינדרים המונחים על הקרקע לא יונחו מתחת לפלטה החמה

דרישות הווסת

יש להשתמש בווסת במכשיר זה. השתמש רק בווסת שמגיע עם הגריל. אם לא קיבלת ווסת השתמש רק בווסת המורשה בהתאם ל- EN16129 קצב זרימה מקסימלי 1.5 ק"ג/ש') שמאושר במדינה שלך וגז שמופיע במידע הטכני

דרישות הצינור

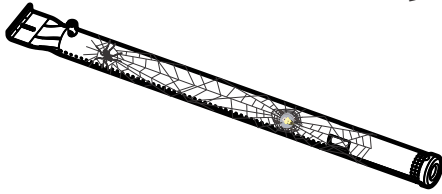
השתמש רק בצינור המורשה בהתאם לתקן EN שאינו עולה על אורך של 1.5 מ'. בפילנד, אורך הצינור לא יעלה על 1.2 מ'. לפני כל שימוש, וודא שהצינור אינו חתוך או בלוי. וודא שהצינור אינו מפותל. וודא שכאשר הצינור מחובר הוא אינו בא במגע עם משטחים חמים. החלף צינור פגום לפני השימוש במכשיר. החלף את הצינור בהתאם לדרישות במדינה.



סכנה



עכבישים ורשתות בתוך המבער



אם קשה להדליק את הגריל או שהלהבה חלשה, בדוק ונקה את פתחי הוונטורי והמבערים. עכבישים או חרקים קטנים נוטים לגרום לבעיות של עיכוב הצתה כאשר הם מקימים קנים ומטילים ביצים בפתחי הוונטורי או במבער של הגריל וחוסמים את מעבר הגז. הגז המצטבר עלול להיות מוצת מאחורי לוח הבקרה. העיכוב הזה בהצתה עלול לפגוע בגריל ולגרום לפגיעה על מנת למנוע עיכובים בהצתה ולוודא שהביצועים יהיו תקינים, יש להסיר ולנקות את המבער ואת צינורות הוונטורי לאחר שהגריל עמד ללא שימוש לתקופה ממושכת.

אם לא ניתן להפעיל את המכשיר

- וודא שהגז בבלון מופעל.
- וודא שיש גז בבלון.
- האם המצת משמיע קול של הצתה?
אם כן, חפש ניצוץ במבער.
- אם אין ניצוץ, חפש חוטים פגומים או רפויים.
- אם החוטים בסדר חפש אלקטרודה סדוקה או שבורה, החלף במקרה הצורך.
- אם החוטים או האלקטרודות מכוסים בשאריות מזון, נקה את קצה האלקטרודה עם מטלית אלכוהול במקרה הצורך.
- אם יש צורך, החלף את החוטים.
- אם אין צליל, בדוק את הסוללה.
- וודא שהסוללה ממוקמת כראוי.
- חפש חיבורים רפויים של החוטים במודול והחלף.

צורב צורב תאורה מציתים

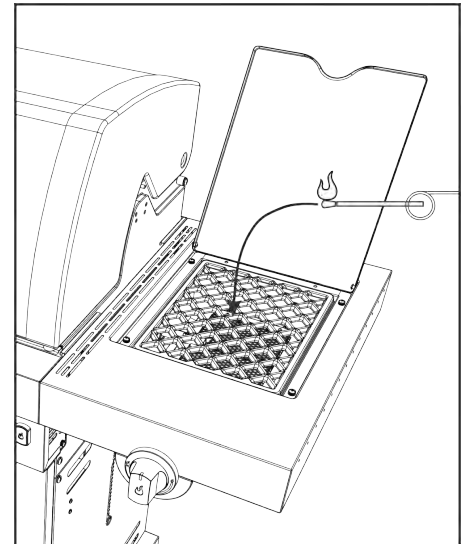
אל תישען מעל הברביקיו בזמן ההדלקה

1. כבה את שסתומי בקרת מבער הגז לכיבוי.
2. פתח את המכסה במהלך תאורה או תאורה מחדש.
3. LP הפעל גז בבלון.
4. לחץ והחזק את HIGH סובב את כפתור צורב למצב כפתור המצית האלקטרוני.
5. אם צורב הצריבה לא נדלק תוך 5 שניות, הפעל את הכפתור לכיבוי, המתן 5 דקות ואז חזור על הליך התאורה.

תאורת התאמת צורב צורב

אל תישען מעל הברביקיו בזמן ההדלקה

1. כבה את שסתומי בקרת מבער הגז לכיבוי.
2. פתח את המכסה במהלך תאורה או תאורה מחדש.
3. LP הפעל גז בבלון.
4. מניחים גפרור מואר ליד המבער. סובב מיד את כפתור ודא שהמבער נדלק ונשאר HIGH. צורב המבער למצב מואר.



ניקוי חלקי המבער

- פעל בהתאם להנחיות הללו לניקוי ו/או החלפת חלקי המבער או במקרה שיש לך בעיות בהצתת המבער.
1. כבה את הגז בידידות הבקרה ובבלון LP.
 2. הסר את רשתות הבישול ואוהלי החום.
 3. הסר את צינורות ההעברה ואת מבערי אבטחת החומרה.
 4. נתק את האלקטרודה מהמבער.
- הערה:** שיטת ההסרה/הניתוק תלויה בתצורת המבער. ראה תצורות שונות באיור בהמשך.
5. הרם בזהירות כל מבער והרחק אותו מפתחי השסתומים. אנחנו מציעים שלוש שיטות לניקוי צינורות המבער. השתמש בשיטה הנוחה ביותר עבורך.
- א.** כופף כבל קשיח (מתלה מעילים קל יתאים לכך) לצורה של וו קטן. העבר את הוו דרך כל אחד מצינורות המבער מספר פעמים.



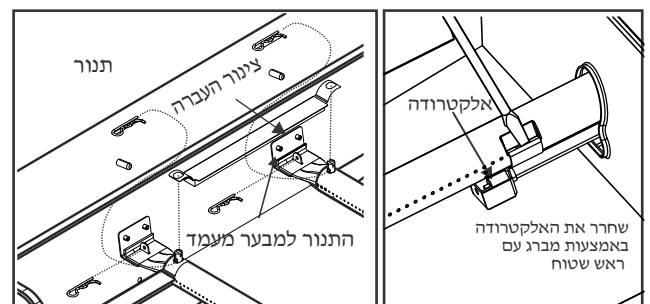
6. השתמש במברשת בקבוקים צרה עם ידית גמישה (אין להשתמש במברשת מחוטי פליז). העבר את המברשת דרך כל אחד מצינורות המבער מספר פעמים.
7. **השתמש במגן עיניים:** השתמש בצינור אוויר כדי להכניס אוויר לצינור המבער שיצא דרך יציאות המבער. בדוק כל יציאה כדי לוודא שהאוויר יוצא דרך כל חור.
8. נקה במברשת תיל את כל המשטח החיצוני של המבער כדי להסיר שאריות מזון ולכלוך.
9. נקה יציאות חסומות עם כבל קשיח כמו סיכת ביטחון פתוחה.
10. בדוק אם יש נזק למבער בשל בלאי טבעי וקורוזיה, חורים מסוימים עלולים להיות גדולים יותר. אם אתה מוצא סדקים או חורים גדולים, החלף את המבער.

חשוב מאוד: צינורות המבער צריכים לתאום את פתחי המסתמים. ראה איור מצד ימין.



התאמה נכונה של מבער-שסתום

9. חבר אלקטרודה למבער.
10. מקם מחדש את המבער בזהירות.
11. חבר את המבערים לסוגרים בתנור.
12. מקם מחדש את צינורות ההעברה וחבר אותם למבערים. מקם מחדש את אוהלי החום ורשתות הבישול.
13. לפני בישול בגריל, בצע "בדיקת דליפות" ו"בדיקת להבת המבער".



אחסון המכשיר

- נקה את רשתות הבישול.
- אחסן במקום יבש.
- כאשר בלון גז מחובר למכשיר, אחסן בחוץ באזור מאוורר היטב ומחוץ להישג ידם של ילדים.
- כסה את המכשיר אם הוא מאוחסן בחוץ.
- אחסן את המכשיר בפנים רק אם בלון הגז כבוי ומנותק, מוסר מהמכשיר ומאוחסן בחוץ.
- כאשר אתה מוציא את המכשיר מאחסון, בדוק אם יש חסימה במבערים.

- ניקוי כללי של המכשירים יש צורך בניקוי תקופתי של גריל זה, מכיוון שריפות גריל יכולות להתרחש כאשר שומן ופסולת מזון נאספים בתחתית הגריל. לאחר כל שימוש, הסר את חלקי המזון שנותרו מגרד הבישול ומפנים הגריל לאחר מכן. Char-Broil Cool-Clean בעזרת מברשת בנדיבות על הסורג, אתה יכול לרסס מנקה מגרדים לאפשר לו לעבוד במשך 10 דקות ולנגב עם מטלית רטובה או מברשת בצע ניקוי גריל לאחר שהתקרר הגריל
- אל תטעו בצבירת שומן ועשן בצבע חום או שחור. חללי פנים של מנגלים לגז אינם צבועים במפעל (ואף פעם אסור לצבוע אותם). מרחו תמיסה חזקה של חומר ניקוי ומים או השתמשו במנקה מכשירים עם מברשת קרצוף על החלק הפנימי של מכסה המכשיר ותחתיתו. שוטפים ומניחים לייבוש מלא באוויר. אין למרוח מכשיר קוסטיק / מנקה תנור על משטחים צבועים
 - חלקי פלסטיק: יש לשטוף במים סבונים חמים ולנגב אותם. אל תשתמש בחומרי ניקוי שוחקים, חומרי שומנים או שואב אבק מרוכז על חלקי פלסטיק. נזק לחלקים וכשל בהם עלול להיגרם משטחי חרסיה: בגלל ההרכב דמוי הזכוכית, ניתן לנגב את רוב הצינורות בעזרת תמיסת סודה לשתייה / מים, מנקה זכוכית או מנקה השתמש באבקת ניקוי לא שוחקת לכתמים Char-Broil גרגרי עקשניים
 - משטחים צבועים: יש לשטוף עם חומר ניקוי עדין או מנקה ומים נגב יבש עם רך Char-Broil וסבון חמים או מנקה גריל בד לא שוחק
 - משטחי בישול: וודאו שלא נשארו זיפים רופפים על משטחי הבישול לפני הצלייה. בזמן שהגריל חם, מומלץ לנקות רק משטחי בישול על מברשת Char-Broil Hot-Clean באמצעות ראש ההחלפה Premium-Char-Broil Cool-Clean.
- CLEAN הגדרת**
- חדשנית המאפשרת הגריל שלך מצויד בהגדרת ניקוי גריל ללא טרחה. החום הגבוה שנוצר מהבערים יהפוך את כל שאריות המזון שנותרו לאפר:
- בצע את השלבים הבאים
- לאחר שסיימת לצלות, התאם את כל המבערים העיקריים להגדרת והישאר כ- 12 - 15 דקות CLEAN
 - לאחר כ- 12 - 15 דקות, כוונן את כל המבערים הראשיים להגדרת והניח לגריל להתקרר OFF
 - Char-Broil Cool-Clean ברגע שהגריל מתקרר, השתמש במברשת כדי להסיר את כל הפסולת שנותרה ולהיפטר מהאפר
 - כדי להשיג תוצאות מבריקות במיוחד, השתמש בניקוי המגרדים כצעד אחרון. ריססו בנדיבות על הסורג, אפשרו לו לעבוד Char-Broil במשך 10 דקות ונגבו עם מטלית רטובה או מברשת

מידע טכני
CHAR-BROIL, LLC

ברביקיו גז / גריל גז				גריל גז/ בר ביקיו
9.67 kW (704 g/h)	9.67 kW (704 g/h)			תפוקת חום נומינלי
I3B/P(50)	I3B/P(30)	I3+(28-30/37)		קטגוריית גז
468782023	468972023			מספר דגם
בוטאן, פרופן או תערובות שלהם	בוטאן, פרופן או תערובות שלהם	פרופן	בוטאן	סוג גז
50 מגה	מילי בר 30	מילי בר 37	מילי 28-30	לחץ גז
ברביקיו: 2 57,0 x יח ' '	ברביקיו: 2 68,0 x יח ' '	ברביקיו: 2 68,0 x יח ' '		גודל המזרק (קוטר, מ"מ)
חתיכה 0.81 x 1	חתיכה 0.91 x 1	חתיכה 0.91 x 1		צורב צורב גודל המזרק (קוטר, מ"מ)
AT, DE, CH, LU, SK	DK, NO, NL, SE, FI, IS, CZ, IT, SK, BG, CY, EE, HR, HU, LT, LU, LV, MT, RO, SI, TR	GB, FR, BE, ES, IT, PT, CZ, SK, CH, CY, GR, IE, LT, LU, LV, SI		מדינות היעד

יש הרבה סוגים שונים (סגסוגות) של חומרים שנקראים פלדת אל-חלד. מאפיין נפוץ של הסוגים הללו הוא שהם עשויים להיאכל (להתחמצן), כתלות בתנאים הסובבים אותם. תנאי זה תקף לגריל החדש שלך גם כן.

על מנת לוודא שהגריל שלך שומר על המראה והתפקוד שלו למשך שנים רבות, פעל בהתאם להמלצות הבאות: אם הגריל נרטב או נחשף ללחות, נגב אותו באמצעות בד יבש על מנת למנוע קורוזיה על פני השטח. (1) פלדת אל-חלד עלולה להחליד בתנאים מסוימים. זה יכול להתרחש במצבים סביבתיים מסוימים, כמו כלור או מי מלח, או בחשיפה (2) לכלי ניקיון לא מתאימים, כמו תיל או צמר פלדה. בנוסף, הוא יכול לאבד צבע בשל חשיפה לחום או לחומרים כימיים או בשל הצטברות שמן.

כדי לשמור על המראה האיכותי של המכשיר שלך, שטוף אותו באמצעות חומר ניקוי עדין ומי סבון חמים ונגב באמצעות בד עדין (3) לאחר כל שימוש. יתכן שעל מנת להסיר משקעי שמן תצטרך להשתמש ברפידת ניקיון קשיחה מפלסטיק. השתמש רק בכיוון הגימור כדי להימנע מגרימת נזק. אין להשתמש ברפידה קשיחה על אזורים עם גרפיקה. שמן את החלקים הפנימיים של הגריל ואת הרשת באמצעות שמן בישול. (4) שים לב:

כדי להימנע משריטה של המשטח ויצירת בסיס לחלודה, אין להשתמש בצמר פלדה או חומרים דומים בעת הניקיון של פלדת האל-חלד. בזמן הניקיון, עבוד בכיוון בו מוברשת פלדת האל-חלד – "עם הפסים".

ניקיון עם חומרים קשיחים עלול לגרום לשריטות. אחסון של הגריל בקרבת חוף ים, בריכת שחיה או ספא תגרום לגריל להיאכל (להתחמצן). כסה את הגריל שלך על מנת להגן מפני חלודה.

PERSOANA CARE INSTALEAZĂ/ASAMBLEAZĂ:

Lăsați acest manual consumatorului.

CONSUMATOR:

Păstrați manualul pentru consultare ulterioară.

Întrebări:

Dacă aveți întrebări pe parcursul asamblării sau utilizării grătarului, contactați comerciantul.

!PERICOL!

Dacă simțiți miros de gaz:

1. Întrerupeți alimentarea cu gaz a grătarului.
2. Stingeți eventualele flăcări.
3. Deschideți capacul.
4. Dacă mirosul persistă, nu vă apropiați de grătar și solicitați imediat intervenția unei echipe a furnizorului de gaz.

!AVERTIZARE!

1. Nu depozitați și nu folosiți lichide inflamabile (benzină) în apropierea grătarului sau a altor aparate casnice.
2. Buteliile de gaz neconectate spre utilizare nu se vor depozita în apropierea grătarului sau a altor aparate casnice.

!ATENȚIE!

- Înainte de a asambla și a folosi grătarul, citiți și respectați toate instrucțiunile privind siguranța, instrucțiunile de asamblare, de utilizare și întreținere.
- Anumite componente pot avea margini tăioase. Se recomandă utilizarea mănușilor de protecție.

Aprinderea grăsimilor

- Stingerea flăcărilor provocate de aprinderea grăsimilor nu este posibilă prin închiderea capacului. Grătarele dispun de un sistem de ventilare eficient din motive de siguranță.
- Nu folosiți apă pentru a stinge grăsimile aprinse. Acest lucru prezintă pericol de vătămare fizică. În cazul flăcărilor persistente ale grăsimilor aprinse, închideți toți robinetii grătarului și ai buteliei de gaz.
- Dacă grătarul nu a fost curățat în mod regulat, grăsimile acumulate se pot aprinde, provocând defecțiuni grătarului. Aveți grijă atunci când efectuați preîncălzirea sau arderea resturilor de alimente, pentru a evita aprinderea grăsimilor. Pentru a evita aprinderea grăsimilor, respectați instrucțiunile generale privind curățarea grătarului și a ansamblului arzătorului. Cea mai bună metodă de a preveni aprinderea grăsimilor este curățarea periodică a grătarului.
- Nu lăsați grătarul nesupravegheat pe parcursul procesului de preîncălzire sau ardere a resturilor de alimente pe treapta H1 (maxim). Dacă grătarul nu a fost curățat în mod regulat, grăsimile acumulate se pot aprinde, provocând defecțiuni grătarului.

!AVERTIZARE!

Pentru siguranța utilizării grătarului și pentru a preveni accidentele grave:

- FOLOSIȚI GRĂTARUL NUMAI ÎN EXTERIOR. NU ÎL UTILIZAȚI NICIODATĂ ÎN INTERIOR.

Înainte de utilizarea grătarului, citiți instrucțiunile. Respectați întotdeauna instrucțiunile.

- Nu mutați grătarul în timpul utilizării.
- Anumite părți pot deveni foarte fierbinți. Nu lăsați copiii să se apropie de grătar. Nu lăsați copiii să folosească grătarul sau să se joace în preajma acestuia.
- După utilizare, întrerupeți alimentarea cu gaz de la butelie.
- Nu utilizați grătarul în apropierea unor materiale inflamabile.
- Nu blocați orificiile din părțile laterale sau din partea posterioară a grătarului.
- Verificați periodic flacăra arzătorului.
- Nu blocați orificiile Venturi ale arzătorului.
- Folosiți grătarul numai în spații bine ventilate. ESTE INTERZISĂ utilizarea acestuia în spații închise, precum un adăpost pentru mașină, un garaj, o terasă acoperită sau sub orice alt fel de acoperiș.
- Nu folosiți cărbuni sau brichete ceramice într-un grătar cu gaz.
- NU acoperiți grilele cu folie de aluminiu sau alte materiale. Acest lucru blochează ventilarea arzătorului și poate crea situații periculoase, care au ca rezultat daune materiale și/sau vătămare fizică.
- **Păstrați o distanță de minimum 1 metru între grătar și orice perete sau alte suprafețe.**
- Păstrați o distanță de minimum 3 metri față de obiectele inflamabile sau care pot reprezenta o sursă de aprindere, precum flacăra de veghe a unui boiler, aparate electrice în funcțiune etc.



- NU încercați să aprindeți aprinzătorul cu capacul închis. O posibilă acumulare de gaz sub capac este periculoasă.
- Înainte de a muta butelia de gaz din poziția de lucru specificată, întrerupeți gazul de la robinetul buteliei și deconectați regulatorul.
- Niciodată nu puneți în funcțiune grătarul dacă butelia de gaz nu se află în poziția corectă, conform instrucțiunilor.
- Nu aduceți modificări grătarului. Orice modificare este strict interzisă. Utilizatorul nu va manipula componentele sigilate. Nu dezasamblați injectoarele.

Sfaturi privind siguranța

- Înainte de a deschide robinetul buteliei de gaz, verificați dacă regulatorul este bine strâns.
- Când nu folosiți grătarul, închideți toți robinetii acestuia și ai buteliei de gaz.
- Folosiți ustensile de grătar cu mâner lung și mănuși de bucătărie pentru a evita arsurile. Când manipulați componentele fierbinți, folosiți mănuși de protecție.
- Greutatea maximă pentru plita caldă (la modele echipate) și raftul lateral este de 4,5 kg. Vasul de gătit trebuie să aibă diametrul minim de 200 mm, respectiv diametrul maxim de 260 mm. OBSERVAȚIE: NU toate modelele de grătar sunt echipate cu plită caldă!
- Recipientul pentru grăsimi (în cazul modelelor dotate cu acest accesoriu) trebuie să fie montat la grătar și golit după fiecare utilizare. Nu demontați recipientul pentru grăsimi decât după răcirea completă a grătarului.
- Aveți grijă la deschiderea capacului. Sub acesta pot exista aburi fierbinți.
- Aveți grijă când se află prin preajmă copii, vârstnici sau animale.
- Dacă observați că picură grăsimi sau alte materii fierbinți din grătar pe robinetii, furtun sau regulator, întrerupeți imediat alimentarea cu gaz. Determinați cauza, remediați problema, apoi curățați și verificați robinetul, furtunul și regulatorul înainte de a continua. Efectuați un test de scurgeri.
- Nu depozitați în căruciorul grătarului alte obiecte sau materiale, deoarece acestea ar putea bloca fluxul de aer necesar arderii din partea inferioară a panoului de comenzi sau a cuvei de ardere.
- NU efectuați deconectarea sau schimbarea buteliei de gaz la mai puțin de 3 metri de o flacăra deschisă sau o sursă de aprindere.

Poziționarea buteliei

Cilindrii așezați în aparat trebuie să aibă un diametru maxim de 340 mm și înălțime maximă, inclusiv regulator, de 580 mm. Cilindrii mai mari trebuie așezați numai sub raftul lateral sau în spatele grătarului. Cilindrii așezați la sol nu trebuie așezați sub plita fierbinte.

Cerințe privind regulatorul

Pentru acest grătar este necesară utilizarea unui regulator. Nu folosiți alt regulator decât cel furnizat împreună cu grătarul. Dacă regulatorul nu este inclus, folosiți un regulator ce corespunde standardului EN16129 (debit maxim 1,5 kg/h) aprobat pentru țara dvs. și gazul specificat în secțiunea „Date tehnice”. Folosiți o butelie de gaz compatibilă cu regulatorul.

Cerințe privind furtunul

Folosiți numai un furtun aprobat conform standardului EN corespunzător și nu depășește lungimea de 1,5 m. Pentru Finlanda, furtunul nu trebuie să depășească 1,2 m. Înainte de fiecare utilizare, verificați furtunul să nu prezinte tăieturi sau uzură. Aveți grijă ca furtunul să nu fie pliat. Aveți grijă ca furtunul conectat să nu atingă nicio suprafață caldă. Dacă furtunul prezintă defecte, acesta trebuie înlocuit înainte de utilizarea grătarului. Înlocuiți furtunul conform cerințelor din țara dvs.

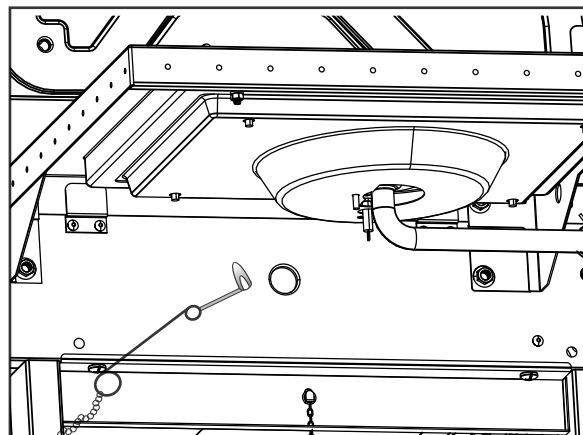
Διαδικασία ανάμματος του εκκινητή φωτιάς

- **Μη σκύβετε πάνω από τη συσκευή μπάρμπεκιου την ώρα που την ανάβετε.**
 1. Γυρίστε τις βαλβίδες ελέγχου των καυστήρων αερίου στη θέση ○ (απενεργοποίησης).
 2. Ανοίξτε το κάλυμμα την ώρα που ανάψετε για πρώτη φορά ή ξανά τη συσκευή.
 3. Ανοίξτε την παροχή αερίου (θέση ON) στον κύλινδρο LP.
 4. Για να επιτευχθεί ανάφλεξη, πιάστε και γυρίστε τον διακόπτη του καυστήρα ανάφλεξης στη θέση ▲ HIGH. Αμέσως πιάστε παρατεταμένα το κουμπί ELECTRONIC IGNITOR ώσπου να ανάψει ο καυστήρας.
 5. Αν ΔΕΝ επιτευχθεί ανάφλεξη μέσα σε 5 δευτερόλεπτα, κλείστε τα κουμπιά ρύθμισης του καυστήρα ○, περιμένετε 5 λεπτά και επαναλάβετε τη διαδικασία ανάμματος.
 6. Επαναλάβετε τα βήματα 5-4 για να ανάψετε την άλλη πλευρά του γκριλ.

	ΠΡΟΕΙΔΟΠΟΙΗΣΗ	
<p>Απενεργοποιήστε τα χειριστήρια και τον κύλινδρο αερίου όταν δεν το χρησιμοποιείτε. Βεβαιωθείτε ότι όταν ο συνδεδεμένος σωλήνας δεν αγγίζει ζεστές επιφάνειες.</p>		
	ΠΡΟΣΟΧΗ	
<p>Αν ΔΕΝ επιτευχθεί ανάφλεξη μέσα σε 5 δευτερόλεπτα, κλείστε τα κουμπιά ρύθμισης του καυστήρα, περιμένετε 5 λεπτά και επαναλάβετε τη διαδικασία ανάμματος. Αν δεν επιτευχθεί ανάφλεξη στον καυστήρα με τη βαλβίδα ανοιχτή, θα συνεχιστεί η ροή του αερίου έξω από τον καυστήρα και υπάρχει κίνδυνος τυχαίας ανάφλεξης και τραυματισμού.</p>		

Διαδικασία ανάμματος σπίρτων

- **Μη σκύβετε πάνω από τη συσκευή μπάρμπεκιου την ώρα που την ανάβετε.**
 1. Γυρίστε τις βαλβίδες ελέγχου καυστήρα αερίου σε (απενεργοποίηση).
 2. Ανοίξτε το καπάκι κατά τη διάρκεια του φωτισμού ή του εκ νέου φωτισμού.
 3. Ενεργοποιήστε το αέριο στον κύλινδρο LP.
 4. Τοποθετήστε το φωτισμένο σπίρτο κοντά στον καυστήρα. Γυρίστε αμέσως το κουμπί Sear Burner στη θέση ΥΨΗΛΗ. Βεβαιωθείτε ότι τα φώτα του καυστήρα και παραμένουν αναμμένα.



Cauterize Arzător Iluminarea Ignitorului

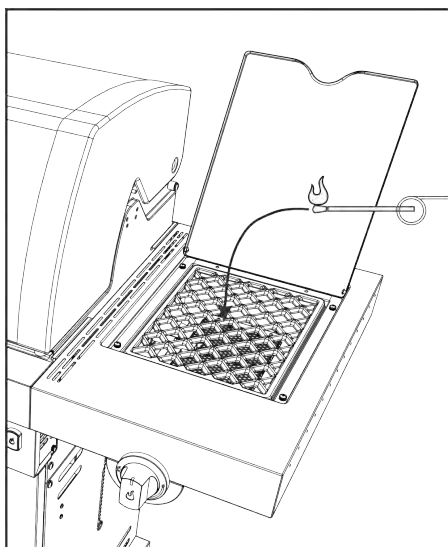
Nu vă aplecați peste grătar în timp ce luminați.

1. Puneți supapele de control ale arzătorului pe gaz la OPRIT.
2. Deschideți capacul în timpul iluminării sau re-iluminării.
3. Porniți gazul la cilindrul LP.
4. Rotiți butonul Cauterize Arzător în poziția HIGH, apăsați și țineți apăsat butonul ELECTRONIC IGNITOR.
5. Dacă Cauterize Arzător NU se aprinde în 5 secunde, rotiți butonul pe OFF, așteptați 5 minute, apoi repetați procedura de iluminare.

Cauterize Arzător Meci de iluminat

Nu vă aplecați peste grătar în timp ce luminați.

1. Puneți supapele de control ale arzătorului pe gaz la OPRIT.
2. Deschideți capacul în timpul iluminării sau re-iluminării.
3. Porniți gazul la cilindrul LP.
4. Amplasați chibritul aprins lângă arzător. Rotiți imediat butonul Cauterize Arzător în poziția HIGH. Asigurați-vă că arzătorul se aprinde și rămâne aprins.





ATENȚIE



ATENȚIE LA PĂIANJENI!

PĂIANJENI ȘI PÂNZE ÎN INTERIORUL ARZĂTORULUI



Dacă grătarul devine mai dificil de aprins sau dacă flacăra este mai slabă, verificați și curățați conductele Venturi și arzătoarele.

Păianjenii și alte insecte mici pot provoca fenomenul de „retur al flăcării”, din cauza cuiburilor și ouălor depuse în conductele Venturi sau în arzătorul grătarului, blocând fluxul de gaz. Gazul care se întoarce pe conductă se poate aprinde în spatele panoului de comenzi. O astfel de flăcără poate produce defecțiuni grătarului și poate provoca vătămare fizică. Pentru a preveni fenomenul de retur al flăcării și pentru o bună funcționare, ansamblul cu arzător și conductă Venturi trebuie demontat și curățat ori de câte ori grătarul a fost nefolosit o perioadă mai îndelungată.

Testarea pentru etanșeitate a robinetilor, furtunului și regulatorului

Efectuați testul de etanșeitate înainte de prima utilizare, cel puțin o dată pe an și de fiecare dată când schimbați sau deconectați butelia.

1. Aduceți toți robinetii grătarului în poziția „O”.
2. Asigurați-vă că regulatorul este bine strâns pe butelie.
3. Deschideți robinetul de gaz. Dacă se aude un zgomot puternic, opriți imediat alimentarea cu gaz. Există o scurgere gravă la nivelul racordului. Rectificați această problemă înainte de a continua.
4. Aplicați cu o pensulă soluție de săpun (amestec de apă și săpun în proporții egale) pe conectorii furtunului.
5. Dacă se formează bule tot mai mari, legătura nu este etanșă. Opriți imediat alimentarea cu gaz de la butelie și verificați etanșeitatea legăturilor. Dacă nu se poate opri scurgerea de gaz, nu încercați să executați reparații. Solicitați piese de schimb.
6. După orice testare a etanșeității, opriți gazul de la robinetul buteliei.

Curățarea ansamblului arzătorului

Pentru a curăța/înlocui piese ale arzătorului sau dacă aveți probleme cu aprinderea, urmați aceste instrucțiuni.

1. **Întrerupeți alimentarea cu gaz de la robinetii grătarului și cel al buteliei GPL.**
2. Demontați grilele de gătire și scuturile arzătoarelor.
3. Demontați conductele de transfer dintre arzătoare și elementele de fixare a arzătoarelor.
4. Demontați electrodul de la arzător.

OBSERVAȚIE: Metoda de demontare/detașare depinde de configurația arzătorului. Vedeți diferite configurații în ilustrațiile de mai jos.

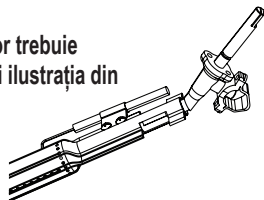
5. Ridicați cu grijă fiecare arzător și îndepărtați-l de la orificiul robinetului. Propunem trei metode de curățare a conductelor arzătoarelor. Alegeți-o pe cea mai convenabilă pentru dvs.
 - A. Îndoiiți o bucată de sârmă tare (de exemplu un umerăș de sârmă) formând un mic cârlig. Introduceți cârligul prin fiecare conductă a arzătoarelor de mai multe ori.



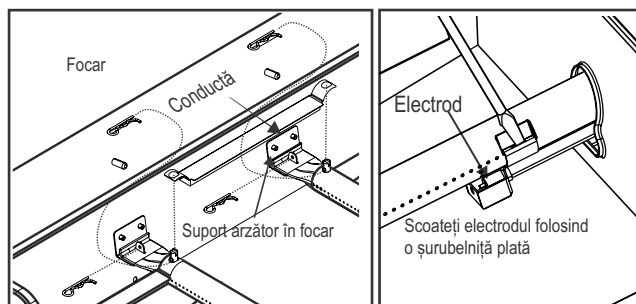
- B. Utilizați o perie de sticle subțire cu mâner flexibil (nu folosiți o perie de sârmă). Treceți peria prin fiecare conductă a arzătoarelor de mai multe ori.
 - C. Folosiți ochelari de protecție: Folosiți un compresor și suflați aer în conductele arzătoarelor, spre orificiile arzătorului. Verificați orificiile arzătorului pentru a vă asigura că fiecare este desfundată.
6. Frecați exteriorul arzătorului cu peria de sârmă pentru a îndepărta reziduurile și murdăria.
 7. Curățați orificiile înfundate cu o sârmă tare, precum o agrafă de birou desfăcută.
 8. Verificați dacă arzătorul prezintă urme de uzură sau coroziune: unele orificii se pot lărgi. Dacă prezintă crăpături sau găuri, înlocuiți arzătorul.

FOARTE IMPORTANT: Conductele arzătoarelor trebuie reconectate corect la orificiile robinetilor. Vezi ilustrația din dreapta.

Racordarea corectă a arzătorului la robinet.



9. Atașați electrodul la arzător.
10. Montați la loc arzătoarele cu grijă.
11. Atașați arzătoarele la suporturile din focar.
12. Montați la loc conductele de transfer dintre arzătoare. Montați la loc scuturile arzătoarelor și grilele de gătire.
13. Înainte de a relua utilizarea grătarului, efectuați un test de etanșeitate și un test de flacără pentru arzător.



Depozitarea grătarului

- Curățați grilele de gătire.
- Depozitați într-un loc uscat.
- Dacă butelia este conectată la grătar, depozitarea se va face în exterior, într-un spațiu bine ventilat și ferit de accesul copiilor.
- Dacă se depozitează în exterior, acoperiți cu o husă.
- Grătarul se va depozita în interior NUMAI dacă butelia de gaz este închisă, deconectată de la grătar și depozitată în exterior.
- La repunerea în funcțiune după depozitare, verificați ca arzătoarele să nu fie înfundate.

Curățarea generală a aparatului

Curățarea periodică a acestui grătar este necesară, deoarece pot apărea focuri pe grătar atunci când grăsimea și resturile alimentare se adună în fundul grătarului. După fiecare utilizare, îndepărtați restul de particule alimentare din grătarul de gătit și din interiorul grătarului folosind o perie Char-Broil Cool-Clean. După aceea puteți pulveriza generos Char-Broil Grate Cleaner pe grătar, lăsați-l să funcționeze timp de 10 minute și ștergeți-l cu o cârpă umedă sau o perie.

efectuați curățarea grătarului după răcirea grătarului.

- Nu confundați acumularea maro sau neagră de grăsime și fum cu vopsea. Interiorul grătarelor pe gaz nu este vopsit în fabrică (și nu trebuie vopsit niciodată). Aplicați o soluție puternică de detergent și apă sau folosiți un produs de curățare a aparatelor cu perie de curățare pe interiorul capacului și fundului aparatului. Clătiți și lăsați să se usuce complet la aer. Nu aplicați aparat caustic / detergent pentru cuptor pe suprafețele vopsite.
- Piese din plastic: Se spală cu apă caldă cu săpun și se șterge. Nu folosiți detergenți abrazivi, degresanți sau un detergent concentrat pentru aparate pe piesele din plastic. Poate rezulta deteriorarea și defectarea pieselor.
- Suprafețe de porțelan: Datorită compoziției asemănătoare sticlei, majoritatea reziduurilor pot fi șterse cu soluție de bicarbonat de sodiu / apă, detergent pentru sticlă sau detergent pentru grătare Char-Broil. Folosiți pudră de curățat neabrazivă pentru petele încăpățănate.
- Suprafețe vopsite: Se spală cu detergent ușor sau cu apă curată și săpună caldă sau cu detergent Char-Broil Grill. Ștergeți uscat cu un produs moale pânză neabrazivă.
- Suprafețe de gătit: Asigurați-vă că nu rămân peri liberi pe suprafețele de gătit înainte de grătar. În timp ce grătarul este fierbinte, se recomandă doar curățarea suprafețelor de gătit folosind capul de înlocuire Char-Broil Hot-Clean (pe peria Char-Broil Cool-Clean Premium).

Setare CLEAN

Grătarul dvs. este echipat cu o setare inovatoare CLEAN care permite acest lucru

curățarea grătarului fără probleme. Căldura ridicată generată de arzătoare va transforma toate resturile alimentare restante în cenușă. Urmăți acești pași:

- După terminarea grătarului, reglați toate arzătoarele principale la setarea CLEAN și rămâneți timp de aproximativ 12 - 15 minute
- După aproximativ 12 - 15 minute, reglați toate arzătoarele principale la setarea OFF și lăsați grătarul să se răcească
- Odată ce grătarul este răcoros, folosiți o perie Char-Broil Cool-Clean pentru a îndepărta resturile rămase și aruncați cenușa
- Pentru a obține rezultate extra-strălucitoare, utilizați detergentul pentru grătare Char-Broil ca ultim pas. Pulverizați generos pe grătar, lăsați-l să funcționeze timp de 10 minute și ștergeți-l cu o cârpă umedă sau o perie.

DATE TEHNICE
CHAR-BROIL, LLC

Denumire produs	Grătar cu gaz		
Capacitate calorică nominală totală	9.67 kW (704 g/h)		9.67 kW (704 g/h)
Categorie gaz	I3+(28-30/37)	I3B/P(30)	I3B/P(50)
Model	468972023		468782023
Tip gaz	Butan	Propan	Butan, propan sau amestec al celor două
Presiune gaz	28-30 mbar	37 mbar	30 mbar
Mărime injector (diametru: mm)	Grătar: 2 buc. x 0,86		Grătar: 2 buc. x 0,75
Cauterize Arzător Mărime injector (diametru: mm)	0,91 x 1 pcs		0,81 x 1 pcs
Țara de destinație	GB, FR, BE, ES, IT, PT, CZ, SK, CH, CY, GR, IE, LT, LU, LV, SI	DK, NO, NL, SE, FI, IS, CZ, IT, SK, BG, CY, EE, HR, HU, LT, LU, LV, MT, RO, SI, TR	AT, DE, CH, LU, SK

Oțelul inoxidabil

Există multe tipuri (aliaje) de materiale considerate oțel inoxidabil.

O caracteristică comună acestora este faptul că se corodează (oxidează), în funcție de condițiile la care sunt supuse.

Acest lucru este valabil și pentru noul dvs. grătar.

Pentru a-i păstra aspectul și starea de funcționare cât mai mulți ani, vă rugăm să respectați îndrumările de mai jos:

- 1) Dacă grătarul acumulează umezeală, ștergeți-l bine cu o cârpă pentru a preîntâmpina ruginirea suprafețelor.
- 2) Oțelul inoxidabil poate rugini în anumite condiții. Printre aceste condiții se numără apa cu clor sau apa sărată, ori utilizarea de instrumente de curățare necorespunzătoare, precum o perie de sârmă. De asemenea, se poate decolora și sub acțiunea căldurii, a substanțelor chimice sau a acumulărilor de grăsime.
- 3) Pentru a păstra aspectul de echipament de înaltă calitate, spălați cu un detergent slab și apă caldă cu săpun, apoi ștergeți bine cu o cârpă moale după fiecare utilizare. Pentru înlăturarea depunerilor arse, poate fi necesar un burete abraziv din plastic. Frecați în direcția finisajului, pentru a evita deteriorarea suprafeței. Nu folosiți buretele abraziv pe suprafețele cu inscripții.
- 4) Ungeți părțile interioare ale grătarului și grilele cu ulei de gătit.

REȚINEȚI:

Pentru a evita zgârierea suprafețelor, care duce la ruginire, nu folosiți perii de sârmă sau alte instrumente similare pentru curățarea oțelului inoxidabil.

Când curățați suprafața, frecați în direcția finisajului original („în direcția fibrelor”).

Utilizarea de agenți abrazivi pentru curățare poate lăsa zgârieturi.

Depozitarea grătarului în apropierea apei de mare, a unui bazin de înot sau centru spa duce la corodarea (oxidarea) grătarului.

Folosiți o husă pentru a acoperi grătarul și a-l proteja de coroziune.

ΕΓΚΑΤΑΣΤΑΤΗΣ/ΣΥΝΑΡΜΟΛΟΓΗΤΗΣ:

Αφήστε το εγχειρίδιο αυτό στον καταναλωτή.

ΚΑΤΑΝΑΛΩΤΗΣ:

Φυλάξτε το εγχειρίδιο αυτό γιατί θα το χρειαστείτε στο μέλλον.

Ερωτήσεις:

Αν έχετε απορίες κατά τη συναρμολόγηση ή τη χρήση της συσκευής αυτής, επικοινωνήστε με τον αντιπρόσωπο της εταιρείας στην περιοχή σας.



ΚΙΝΔΥΝΟΣ



Αν αντιληφθείτε ότι υπάρχει οσμή αερίου:

1. Διακόψτε την παροχή αερίου στη συσκευή.
2. Σβήστε κάθε γυμνή φλόγα.
3. Ανοίξτε το κάλυμμα.
4. Αν η μυρωδιά εξακολουθεί να υπάρχει, μείνετε μακριά από τη συσκευή και καλέστε αμέσως την εταιρεία που σας προμηθεύει το αέριο ή την πυροσβεστική.



ΠΡΟΕΙΔΟΠΟΙΗΣΗ



1. Δεν πρέπει να αποθηκεύετε ούτε να χρησιμοποιείτε βενζίνη ή άλλα εύφλεκτα υγρά κοντά στη συγκεκριμένη ή σε οποιαδήποτε άλλη συσκευή.
2. Αν έχετε φιάλες υγραερίου που δεν συνδέσατε ακόμη για χρήση, δεν πρέπει να τις αποθηκεύετε κοντά στη συγκεκριμένη ή σε οποιαδήποτε άλλη συσκευή.



ΠΡΟΣΟΧΗ



- Διαβάστε και ακολουθήστε όλες τις συμβουλές για θέματα ασφάλειας και τις οδηγίες συναρμολόγησης, χρήσης και φροντίδας προτού επιχειρήσετε να συναρμολογήσετε τη συσκευή και να μαγειρέψετε.
- Ορισμένα εξαρτήματα ενδέχεται να περιέχουν αιχμηρά άκρα. Συνιστούμε να φοράτε προστατευτικά γάντια.

Φωτιά από καμένο λίπος

- Δεν μπορείτε να σβήσετε τη φωτιά από καμένο λίπος κλείνοντας το κάλυμμα. Οι συσκευές μπάρμπεκιου εξαερίζονται καλά για λόγους ασφάλειας.
- Σε περίπτωση φωτιάς από καμένο λίπος, δεν πρέπει να χρησιμοποιήσετε νερό για να τη σβήσετε γιατί θα διατρέξετε κίνδυνο τραυματισμού. Αν το καμένο λίπος πάρει φωτιά που δεν σβήνει γρήγορα, κλείστε τους διακόπτες και την παροχή από τη φιάλη αερίου.
- Αν δεν καθαρίζετε τακτικά τη συσκευή, υπάρχει κίνδυνος φωτιάς από καμένο λίπος και πρόκλησης ζημιάς στο προϊόν. Πρέπει να προσέχετε πολύ κατά την προθέρμανση ή την καύση των υπολειμμάτων των φαγητών για να διασφαλίσετε ότι η συσκευή δεν θα πάρει φωτιά από καμένο λίπος. Φροντίστε να ακολουθείτε τις οδηγίες για τη διαδικασία γενικού καθαρισμού της συσκευής και τη διαδικασία καθαρισμού της διάταξης των καυστήρων για να αποσοβήσετε τον κίνδυνο φωτιάς από καμένο λίπος. Ο καλύτερος τρόπος για να αποτραπεί ο κίνδυνος αυτός είναι ο τακτικός καθαρισμός της συσκευής.
- Δεν πρέπει να απομακρύνετε από τη συσκευή μπάρμπεκιου και να την αφήνετε ανεπιτήρητη κατά την προθέρμανση ή την καύση των υπολειμμάτων των φαγητών με χρήση της λειτουργίας HI. Αν δεν καθαρίζετε τακτικά τη συσκευή μπάρμπεκιου, υπάρχει κίνδυνος φωτιάς από καμένο λίπος οπότε θα προκληθεί ζημιά στο προϊόν.

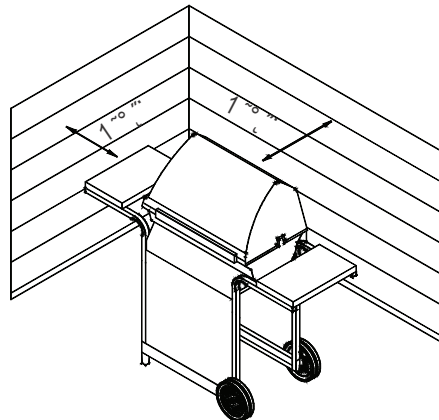


ΠΡΟΕΙΔΟΠΟΙΗΣΗ



Για να διαφυλάξετε την ασφαλή χρήση της συσκευής σας και να αποσοβήσετε κάθε κίνδυνο πρόκλησης σοβαρού τραυματισμού:

- ΧΡΗΣΙΜΟΠΟΙΗΣΤΕ ΤΗ ΣΥΣΚΕΥΗ ΜΟΝΟ ΣΕ ΕΞΩΤΕΡΙΚΟΥΣ ΧΩΡΟΥΣ, ΠΟΤΕ ΣΕ ΕΣΩΤΕΡΙΚΟΥΣ.
- **Προτού χρησιμοποιήσετε τη συσκευή, διαβάστε τις οδηγίες. Πρέπει να τις τηρείτε πιστά πάντοτε.**
- Δεν πρέπει να μετακινείτε τη συσκευή κατά τη χρήση της.
- Τα προσβάσιμα εξαρτήματα ενδέχεται να είναι πολύ θερμά. Φροντίστε να μην τα πλησιάζουν τα μικρά παιδιά. Μην αφήνετε τα παιδιά να χρησιμοποιούν τη συσκευή ούτε να παίζουν κοντά της.
- Μετά τη χρήση πρέπει να κλείνετε τον διακόπτη παροχής αερίου που υπάρχει στη φιάλη.
- Η συγκεκριμένη συσκευή πρέπει να βρίσκεται πάντα μακριά από εύφλεκτα υλικά κατά τη χρήση της.
- Δεν πρέπει να φράσσετε τις οπές στις πλαϊνές πλευρές ή στην πίσω πλευρά της συσκευής.
- Πρέπει να ελέγχετε τακτικά τις φλόγες στους καυστήρες.
- Δεν πρέπει να φράσσετε τα ανοίγματα εξαερισμού (των σωλήνων Venturi) στον καυστήρα.
- Η συσκευή πρέπει να χρησιμοποιείται μόνο σε καλά εξαεριζόμενο χώρο. ΠΟΤΕ μη χρησιμοποιήσετε τη συσκευή σε κλειστό χώρο, π.χ. υπόστεγο αυτοκινήτου, γκαράζ, σκεπαστή είσοδο, σκεπαστή βεράντα ή κάτω από σκέπαστρο κάθε είδους.
- Δεν πρέπει να χρησιμοποιείτε ξυλοκάρβουνο ούτε κεραμικές μπρικέτες σε συσκευή αερίου.
- **ΔΕΝ ΠΡΕΠΕΙ** να καλύπτετε τις σχάρες με αλουμινοχαρτο ούτε με κάποιο άλλο υλικό. Θα παρεμποδιστεί ο εξαερισμός των καυστήρων και υπάρχει πιθανότητα να προκύψει κάποια επικίνδυνη κατάσταση που θα προκαλέσει υλικές ζημιές και/ή τραυματισμό.
- **Πρέπει να χρησιμοποιείτε τη συσκευή σε απόσταση τουλάχιστον 1 μέτρου από κάθε τοίχο ή επιφάνεια.**
- Η συσκευή πρέπει να απέχει 3 μέτρα από αντικείμενα που υπάρχει κίνδυνος να πάρουν φωτιά ή πηγές ανάφλεξης, π.χ. θερμοσίφωνες, ηλεκτρικές συσκευές σε λειτουργία κλπ.



- ΠΟΤΕ μη επιχειρήσετε να ανάψετε τον καυστήρα έχοντας κλειστό το κάλυμμα. Μέσα σε μια κλειστή συσκευή ενδέχεται να συσσωρευτεί αέριο το οποίο δεν έχει αναφλεχθεί και είναι πολύ επικίνδυνο.
- Πάντα πρέπει να κλείνετε τον διακόπτη παροχής αερίου που υπάρχει στη φιάλη και να αποσυνδέετε τον ρυθμιστή προτού αφαιρέσετε τη φιάλη αερίου από την καθορισμένη θέση λειτουργίας της.
- Ποτέ μη θέσετε σε λειτουργία τη συσκευή αν η φιάλη αερίου δεν βρίσκεται στη σωστή καθορισμένη θέση της.
- Δεν πρέπει να τροποποιήσετε τη συσκευή. Απαγορεύεται αυστηρά κάθε τροποποίηση. Τα μονωμένα εξαρτήματα δεν επιδέχονται παρέμβαση του χρήστη. Μην αποσυναρμολογήσετε τους εγχυτήρες.

Συμβουλές για θέματα ασφάλειας

- Προτού ανοίξετε τη βαλβίδα της φιάλης αερίου, ελέγξτε αν είναι καλά σφικμένος ο ρυθμιστής.
- Όποτε δεν χρησιμοποιείτε τη συσκευή, πρέπει να κλείνετε όλους τους διακόπτες ρύθμισης και την παροχή αερίου.
- Πρέπει να χρησιμοποιείτε εργαλεία μπάρμπεκιου με μακριά λαβή και γάντια φούρνου για να αποφυγείτε εγκαύματα και πτισιλίσματα. Πρέπει να φοράτε προστατευτικά γάντια όποτε ασχολείστε με θερμά εξαρτήματα.
- Το ανώτατο φορτίο για τη θερμαντική πλάκα, αν υπάρχει στον εξοπλισμό σας, και για το πλαϊνό ράφι είναι 4,5 κιλά με σκεύος μαγειρέματος ελάχιστης διαμέτρου 200 χιλιοστών και μέγιστης διαμέτρου 260 χιλιοστών. **ΣΗΜΕΙΩΣΗ:** Η δική σας συσκευή μπάρμπεκιου ενδέχεται να MH διαθέτει θερμαντική πλάκα!
- Πρέπει να τοποθετείτε μέσα στη συσκευή το προστατευτικό κάλυμμα για το λίπος (αν υπάρχει στον εξοπλισμό σας) και να το αδειάζετε μετά από κάθε χρήση. Δεν πρέπει να αφαιρείτε το προστατευτικό κάλυμμα για το λίπος ωστόσο κρυσώνει εντελώς η συσκευή.
- Πρέπει να προσέχετε πολύ όταν ανοίγετε το προστατευτικό κάλυμμα επειδή ενδέχεται να βγει καυτός ατμός.
- Απαιτείται μεγάλη προσοχή όταν βρίσκονται κοντά παιδιά, ηλικιωμένα άτομα ή κατοικίδια.
- Αν παρατηρήσετε ότι στάζει λίπος ή άλλο θερμό υλικό από τη συσκευή επάνω στη βαλβίδα, στον εύκαμπτο σωλήνα ή στον ρυθμιστή, διακόψτε αμέσως την παροχή αερίου. Εξακριβώστε την αιτία, διορθώστε το πρόβλημα και ύστερα καθαρίστε και ελέγξτε τη βαλβίδα, τον εύκαμπτο σωλήνα και τον ρυθμιστή προτού συνεχίσετε. Κάντε μια δοκιμή για να ελέγξετε μήπως υπάρχουν διαρροές.
- Δεν πρέπει να αποθηκεύετε μέσα στο περίβλημα του τροχήλατου της συσκευής αντικείμενα ή υλικά που ενδέχεται να περιορίσουν τη ροή του αέρα καύσης προς την κάτω πλευρά είτε του πινάκα ελέγχου είτε του μπουλ της εστίας.
- ΔΕΝ ΠΡΕΠΕΙ να αποσυνδέετε ούτε να αλλάζετε τη φιάλη αερίου σε απόσταση 3 μέτρων από γυμνές φλόγες ή άλλες πηγές ανάφλεξης.

Τοποθέτηση φιαλών

Οι κύλινδροι που τοποθετούνται στη συσκευή πρέπει να έχουν μέγιστη διάμετρο 340 mm και μέγιστο ύψος, συμπεριλαμβανομένου του ρυθμιστή, 580 mm. Οι μεγαλύτεροι κύλινδροι πρέπει να τοποθετούνται μόνο κάτω από το πλάι ή πίσω από το μπάρμπεκιου. Οι κύλινδροι που τοποθετούνται στο έδαφος δεν πρέπει να τοποθετούνται κάτω από την εστία.

Απαιτήσεις για τον ρυθμιστή

Στη συγκεκριμένη συσκευή επιβάλλεται η χρήση ρυθμιστή. Χρησιμοποιήστε μόνο τον ρυθμιστή αερίου που παρέχεται στη συσκευασία της συσκευής μπάρμπεκιου την οποία αγοράσατε. Αν δεν παρέχεται ρυθμιστής, τότε πρέπει να χρησιμοποιείτε μόνο ρυθμιστή που είναι πιστοποιημένος με βάση το πρότυπο EN16129 (για μέγιστο ρυθμό ροής 1,5 kg/ώρα) και είναι εγκεκριμένος για τη χώρα σας και το αέριο που καθορίζεται στην ενότητα «Τεχνικά δεδομένα». Πρέπει να χρησιμοποιείτε δεξαμενή αερίου που να είναι συμβατή με τον ρυθμιστή σας.

Απαιτήσεις για τον εύκαμπτο σωλήνα

Χρησιμοποιήστε μόνο τον εγκεκριμένο εύκαμπτο σωλήνα που είναι πιστοποιημένος με βάση το ανάλογο πρότυπο EN και το μήκος του δεν ξεπερνά το 1,5 μέτρο. Για τη Φινλανδία το μήκος του εύκαμπτου σωλήνα δεν πρέπει να ξεπερνά τα 1,2 μέτρα. Πριν από κάθε χρήση πρέπει να ελέγχετε μήπως ο εύκαμπτος σωλήνας έχει κοπεί ή φθαρεί σε κάποιο σημείο. Βεβαιωθείτε ότι ο εύκαμπτος σωλήνας δεν είναι στριμμένος. Βεβαιωθείτε ότι ο σωλήνας, όταν είναι συνδεδεμένος, δεν ακουμπά σε καμία θερμή επιφάνεια. Προτού χρησιμοποιήσετε τη συσκευή, αντικαταστήστε τον εύκαμπτο σωλήνα αν είναι κατεστραμμένος. Η αντικατάσταση του εύκαμπτου σωλήνα πρέπει να γίνεται με βάση τις απαιτήσεις των σχετικών εθνικών κανονισμών.

Γυújtófejjel történő begyújtás

- Begyújtás közben ne hajoljon a barbecue fölé.
- 1. Kapcsolja a gázégő szabályzó szelepeket O (Ki) állásba.
- 2. Begyújtás illetve újra gyújtás közben nyissa fel a fedelet.
- 3. NYÍSSA KI a gázt a gázpalacknál.
- 4. A begyújtáshoz nyomja be és forgassa el az égő gombját (MAGAS) állásba. Azonnal nyomja be és tartsa benyomva az ELEKTROMOS GYÚJTÓFEJ gombját, amíg az égőfej be nem gyullad.
- 5. Ha a láng 5 másodpercen belül NEM gyullad be, akkor kapcsolja az égőfej szabályzókat O (Ki) állásba, várjon 5 percig, majd ismétlje meg a begyújtási műveletet.
- 6. Ismétlje meg a 5-4. lépést a grill másik oldalának a begyújtásához.

!**FIGYELMEZTETÉS**!

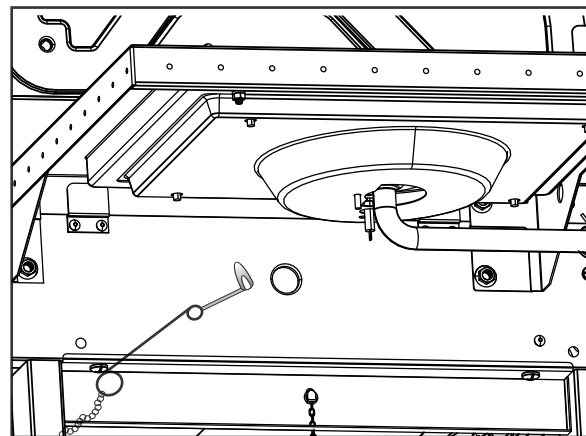
Kapcsolja ki a kezelőszerveket és a gázpalackot, ha nem használja.
Ügyeljen arra, hogy a csatlakoztatott tömlő ne érintse meg a meleg felületeket.

!**FIGYELEM**!

Ha a láng 5 másodpercen belül NEM gyullad be, akkor kapcsolja az égőfej szabályzókat O (Ki) állásba, várjon 5 percig, majd ismétlje meg a begyújtási műveletet. Ha a az égőfej nem gyullad be nyitott szelep mellett, akkor a gáz továbbra is kifelé áramlik az égőfejből, és véletlenül begyulladva sérülést okozhat.

Gyufával történő begyújtás

- Begyújtás közben ne hajoljon a barbecue fölé.
- 1. 1. Kapcsolja (ki) a gázégő vezérlőszelepeit.
- 2. 2. Nyissa ki a fedelet világítás vagy újragyújtás közben.
- 3. 3. Kapcsolja be a gázt az LP palacknál.
- 4. 4. Helyezze a meggyújtott gyufát az égő közelében. Azonnal forgassa a Sear Burner gombot HIGH állásba. Ügyeljen arra, hogy az égő lámpái folyamatosan világítsanak.



Καίω Καυστήρας Φωτισμός Ανάφλεξη

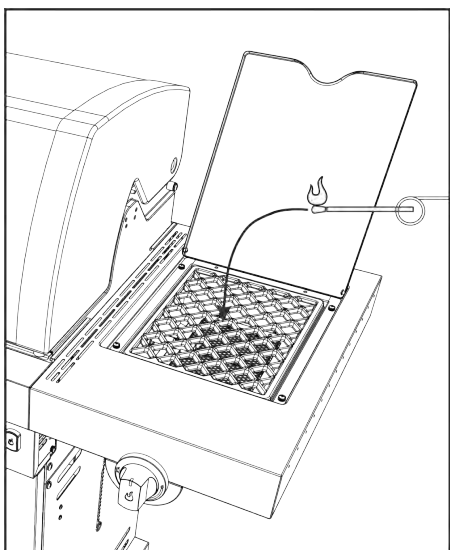
Μην ακουμπάτε μπάρμπεκιου ενώ φωτίζετε.

1. Γυρίστε τις βαλβίδες ελέγχου καυστήρα αερίου στη θέση OFF.
2. Ανοίξτε το καπάκι κατά τη διάρκεια του φωτισμού ή του εκ νέου φωτισμού.
3. Ενεργοποιήστε το αέριο στον κύλινδρο LP.
4. Γυρίστε το κουμπί Καίω Καυστήρας στη θέση ΥΨΗΛΗ, πατήστε και κρατήστε πατημένο το κουμπί ΗΛΕΚΤΡΟΝΙΚΟΥ IGNITOR.
5. Εάν το Καίω Καυστήρας ΔΕΝ ανάβει μέσα σε 5 δευτερόλεπτα, γυρίστε το κουμπί στο OFF, περιμένετε 5 λεπτά και μετά επαναλάβετε τη διαδικασία φωτισμού.

Φωτισμός αγώνα Καίω Καυστήρας

Μην ακουμπάτε μπάρμπεκιου ενώ φωτίζετε.

1. Γυρίστε τις βαλβίδες ελέγχου καυστήρα αερίου στη θέση OFF.
2. Ανοίξτε το καπάκι κατά τη διάρκεια του φωτισμού ή του εκ νέου φωτισμού.
3. Ενεργοποιήστε το αέριο στον κύλινδρο LP.
4. Τοποθετήστε αναμμένο σπίρτο κοντά στον καυστήρα. Γυρίστε αμέσως το κουμπί Καίω Καυστήρας στη θέση ΥΨΗΛΗ. Βεβαιωθείτε ότι ο καυστήρας ανάβει και παραμένει αναμμένος.





ΠΡΟΣΟΧΗ



ΠΡΟΣΟΧΗ ΣΤΙΣ ΑΡΑΧΝΕΣ!

**ΑΡΑΧΝΕΣ ΚΑΙ ΙΣΤΟΙ
ΜΕΣΑ ΣΤΟΝ ΚΑΥΣΤΗΡΑ**



Αν διαρκώς δυσκολεύεστε να ανάψετε τη συσκευή μπάρμπεκιου ή αν η φλόγα είναι αδύναμη, ελέγξτε και καθαρίστε τους σωλήνες Venturi και τους καυστήρες.

Αράχνες ή μικρά έντομα πολύ συχνά δημιουργούν προβλήματα «μπουκώματος» χτίζοντας τις φωλιές τους και γεννώντας τα αυγά τους μέσα στους σωλήνες Venturi ή στους καυστήρες της συσκευής μπάρμπεκιου και εμποδίζουν τη ροή του αερίου. Το αέριο του οποίου η ροή αναστρέφεται υπάρχει κίνδυνος να αναφλεχθεί πίσω από τον πίνακα ελέγχου. Αυτή η αναστροφή της ροής μπορεί να προκαλέσει ζημιά στη συσκευή μπάρμπεκιου και τραυματισμό. Για να αποφύγετε κάθε κίνδυνο αναστροφής ροής και να διασφαλίσετε τις καλές επιδόσεις της συσκευής μπάρμπεκιου, πρέπει να αφαιρείτε τη διάταξη των καυστήρων και των σωλήνων Venturi και την καθαρίζετε όποτε έχετε πολύ καιρό να χρησιμοποιήσετε τη συσκευή σας.

Διαδικασία ελέγχου των βαλβίδων, του εύκαμπτου σωλήνα και του ρυθμιστή για διαρροές

Κάντε μια δοκιμή για να ελέγξετε μήπως υπάρχουν διαρροές πριν από την πρώτη χρήση της συσκευής, τουλάχιστον μία φορά τον χρόνο και κάθε φορά που αλλάζετε ή αποσυνδέετε τη φιάλη.

1. Γυρίστε όλους τους διακόπτες ρύθμισης της συσκευής στη θέση 0.
2. Βεβαιωθείτε ότι ο ρυθμιστής είναι καλά συνδεδεμένος και σφιγμένος στη φιάλη αερίου.
3. Ανοίξτε την παροχή αερίου. Αν ακούσετε έναν ήχο ορμητικής ροής, διακόψτε αμέσως την παροχή αερίου. Υπάρχει σοβαρή διαρροή στη σύνδεση. Διορθώστε το πρόβλημα προτού προχωρήσετε.
4. Περάστε με ένα πινέλο σαπουνόνερο (μείγμα σαπουνιού και νερού σε ίσα μέρη) επάνω στις συνδέσεις του εύκαμπτου σωλήνα.
5. Αν εμφανιστούν φυσαλίδες που διογκώνονται, υπάρχει διαρροή. Κλείστε αμέσως τον διακόπτη παροχής αερίου που υπάρχει στη φιάλη και ελέγξτε αν είναι καλά σφιγμένες οι συνδέσεις. Αν δεν μπορέσετε να σταματήσετε τη διαρροή, μην επιχειρήσετε να επισκευάσετε τη συσκευή. Επικοινωνήστε με τον αντιπρόσωπο και ζητήστε ανταλλακτικά.
6. Πάντα πρέπει να κλείνετε τον διακόπτη παροχής αερίου που υπάρχει στη φιάλη αφού εκτελέσετε μια δοκιμή για έλεγχο διαρροών.

88

Διαδικασία καθαρισμού της διάταξης των καυστήρων

Ακολουθήστε τις οδηγίες αυτές για τον καθαρισμό και/ή την αντικατάσταση εξαρτημάτων της διάταξης των καυστήρων ή αν δυσκολεύεστε να ανάψετε τη συσκευή μπάρμπεκίου.

1. Διακόψτε την παροχή αερίου στους διακόπτες ρύθμισης και στον κύλινδρο LP.
 2. Αφαιρέστε τις σχάρες μαγειρέματος και τις ασπίδες θερμότητας.
 3. Αφαιρέστε τους σωλήνες μεταφοράς και τα εξαρτήματα που συγκρατούν τους καυστήρες.
 4. Αποσπάστε το ηλεκτρόδιο από τον καυστήρα.
- ΣΗΜΕΙΩΣΗ:** Η μέθοδος αφαίρεσης/απόσπασης εξαρτάται από τη διάρθρωση της διάταξης των καυστήρων. Μπορείτε να δείτε διάφορους τρόπους διάρθρωσης στις παρακάτω εικόνες.
5. Ανασηκώστε προσεκτικά κάθε καυστήρα και αποσπάστε τον από τα ανοίγματα των βαλβίδων. Προτείνουμε τρεις τρόπους καθαρισμού των σωληνών των καυστήρων. Μπορείτε να χρησιμοποιήσετε όποιον σας διευκολύνει περισσότερο.

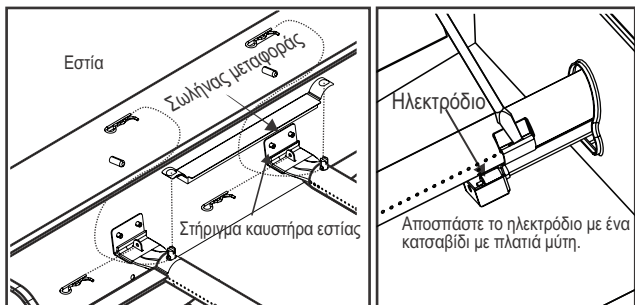
- A. Λυγίστε ένα σκληρό σύρμα (ή ακόμη και έναν ελαφρύ γάντζο από μια κρεμάστρα ρούχων) ώστε να δημιουργήσετε ένα μικρό άγκιστρο. Περάστε αρκετές φορές το άγκιστρο μέσα από τον σωλήνα κάθε καυστήρα.
 - B. Χρησιμοποιήστε μια στενή βούρτσα καθαρισμού μπουκαλιών με ευκαμπτη λαβή (και όχι ορειχάλκινη συρματοβούρτσα). Περάστε αρκετές φορές τη βούρτσα μέσα από τον σωλήνα κάθε καυστήρα.
 - G. **Φορέστε προστατευτικά γυαλιά:** Χρησιμοποιήστε έναν εύκαμπτο σωλήνα πεπιεσμένου αέρα για να περάσει αέρας μέσα στον σωλήνα κάθε καυστήρα και να βγει από τις θύρες του καυστήρα. Ελέγξτε κάθε θύρα για να βεβαιωθείτε ότι βγαίνει αέρας από κάθε οπή.
6. Τρίψτε με συρματοβούρτσα ολόκληρη την εξωτερική επιφάνεια του καυστήρα για να απομακρύνετε υπολείμματα φαγητού και ακαθαρσίες.
 7. Καθαρίστε κάθε φραγμένη θύρα με σκληρό σύρμα, π.χ. με έναν ανοιγμένο συνδετήρα.
 8. Ελέγξτε μήπως υπάρχουν κατεστραμμένα σημεία στον καυστήρα. Λόγω φυσιολογικής φθοράς και διάβρωσης ορισμένες οπές ενδέχεται να έχουν μεγαλώσει. Αν διαπιστώσετε ότι υπάρχουν μεγάλες ρωγμές ή οπές, αντικαταστήστε τον καυστήρα.

ΠΟΛΥ ΣΗΜΑΝΤΙΚΟ: Πρέπει να εφαρμόσετε και πάλι καλά τους σωλήνες των καυστήρων στα ανοίγματα των βαλβίδων. Δείτε τις εικόνες δεξιά.

Σωστή εφαρμογή καυστήρα στη βαλβίδα



9. Προσαρτήστε το ηλεκτρόδιο στον καυστήρα.
10. Επανατοποθετήστε προσεκτικά τους καυστήρες.
11. Προσαρτήστε τους καυστήρες στα υποστηρίγματα τους στην εστία.
12. Επανατοποθετήστε τους σωλήνες μεταφοράς και προσαρτήστε τους στους καυστήρες. Επανατοποθετήστε τις ασπίδες θερμότητας και τις σχάρες μαγειρέματος.
13. Προτού μαγειρέψετε ξανά στη συσκευή μπάρμπεκίου κάντε μια δοκιμή για να ελέγξετε μήπως υπάρχουν διαρροές, και φλόγες στους καυστήρες.



Διαδικασία αποθήκευσης της συσκευής σας

- Καθαρίστε τις σχάρες μαγειρέματος.
- Αποθηκεύστε τη συσκευή σε χώρο χωρίς υγρασία.
- Όποτε αφήνετε τη φιάλη αερίου συνδεδεμένη στη συσκευή, πρέπει να αποθηκεύετε τον εξοπλισμό σε καλά εξαεριζόμενο χώρο και σε σημείο όπου δεν θα μπορούν να τη βρουν τα παιδιά. • Καλύψτε τη συσκευή αν πρόκειται να την αποθηκεύσετε σε εξωτερικό χώρο.
- Μπορείτε να αποθηκεύσετε τη συσκευή σε εσωτερικό χώρο MONO αν κλείσετε τη φιάλη αερίου, την αποσυνδέσετε, την αφαιρέσετε από τη συσκευή και την αποθηκεύσετε σε εξωτερικό χώρο. • Όποτε απομακρύνετε τη συσκευή από τον χώρο αποθήκευσης, ελέγξτε μήπως υπάρχουν αντικείμενα που εμποδίζουν τους καυστήρες.

Γενικός καθαρισμός συσκευών

Ο περιοδικός καθαρισμός αυτής της σχάρας είναι απαραίτητος, καθώς μπορεί να προκληθούν πυρκαγιές όταν συλλέγονται λίπη και υπολείμματα τροφίμων στο κάτω μέρος της σχάρας. Μετά από κάθε χρήση, αφαιρέστε τυχόν εναπομείναντα σωματίδια τροφίμων από τη σχάρα μαγειρέματος και στο εσωτερικό της σχάρας χρησιμοποιώντας μια βούρτσα Char-Broil Cool-Clean. Έπειτα

θα μπορούσατε να ψεκάσετε το Char-Broil Grate Cleaner στη σχάρα, να το αφήσετε να λειτουργεί για 10 λεπτά και να το σκουπίσετε με ένα βρεγμένο πανί ή βούρτσα. εκτελέστε καθαρισμό γκριλ μετά την ψύξη της σχάρας.

- Μην κάνετε λάθος συσσώρευση καφέ ή μαύρου λίπους και καπνού για μπουγιά. Οι εσωτερικοί χώροι μπάρμπεκίου αερίου δεν χρωματίζονται στο εργοστάσιο (και δεν πρέπει ποτέ να βαφτούν). Εφαρμόστε ένα ισχυρό διάλυμα απορρυπαντικού και νερού ή χρησιμοποιήστε ένα καθαριστικό συσκευής με πινέλο καθαρισμού στο εσωτερικό του καπακιού και του πυθμένα της συσκευής. Ξεπλύνετε και αφήστε να στεγνώσει εντελώς στον αέρα. Μην εφαρμόζετε καυστική συσκευή / καθαριστικό φούρνου σε βαμμένες επιφάνειες.

- Πλαστικά μέρη: Πλύνετε με ζεστό σαπουνόνερο και σκουπίστε. Μην χρησιμοποιείτε λειαντικά καθαριστικά, απολιπαντικά ή συμπυκνωμένο καθαριστικό συσκευής σε πλαστικά μέρη. Μπορεί να προκληθεί ζημιά και βλάβη εξαρτημάτων.

- Επιφάνειες πορσελάνης: Λόγω της σύνθεσης που μοιάζει με γυαλί, τα περισσότερα υπολείμματα μπορούν να σκουπιστούν με διάλυμα σόδας / νερού ψησίματος, καθαριστικό γυαλιού ή Char-Broil Grate Cleaner.

Χρησιμοποιήστε μη λειαντική σκόνη καθαρισμού για επίμονους λεκέδες.

- Βαμμένες επιφάνειες: Πλύνετε με ήπιο απορρυπαντικό ή καθαριστικό και ζεστό σαπουνόνερο ή Char-Broil Grill Cleaner. Σκουπίστε με ένα μαλακό μη λειαντικό πανί.

- Επιφάνειες μαγειρέματος: Βεβαιωθείτε ότι δεν παραμένουν χαλαρές τρίχες στις επιφάνειες μαγειρέματος πριν από το ψήσιμο. Ενώ η σχάρα είναι ζεστή, συνιστάται να καθαρίζετε μόνο τις επιφάνειες μαγειρέματος χρησιμοποιώντας την κεφαλή αντικατάστασης ζεστού καθαρισμού Char-Broil (στη βούρτσα Char-Broil Cool-Clean Premium).

♦♦♦ ΚΑΘΑΡΗ ρύθμιση

Η σχάρα σας είναι εξοπλισμένη με μια πρωτοποριακή ρύθμιση CLEAN που επιτρέπει καθαρισμό γκριλ χωρίς προβλήματα. Η υψηλή θερμότητα που παράγεται από τους καυστήρες θα μετατρέψει όλα τα υπολείμματα τροφών σε στάχτη.

Ακολουθήστε αυτά τα βήματα:

- Αφού τελειώσετε το ψήσιμο, ρυθμίστε όλους τους κύριους καυστήρες στη ρύθμιση ΚΑΘΑΡΙΣΜΟΣ και παραμείνετε για περίπου 12 - 15 λεπτά
- Μετά από περίπου 12 - 15 λεπτά, ρυθμίστε όλους τους κύριους καυστήρες στη ρύθμιση OFF και αφήστε τη σχάρα να κρυώσει
- Όταν η σχάρα είναι δροσερή, χρησιμοποιήστε μια βούρτσα Char-Broil Cool-Clean για να αφαιρέσετε τυχόν υπολείμματα και να απορρίψετε την τέφρα

- Για να έχετε εξαιρετικά γυαλιστερά αποτελέσματα, χρησιμοποιήστε το Char-Broil Grate Cleaner ως τελευταίο βήμα. Ψεκάστε γενναιόδωρα στη σχάρα, αφήστε το να λειτουργήσει για 10 λεπτά και σκουπίστε με ένα βρεγμένο πανί ή βούρτσα.

ΤΕΧΝΙΚΑ ΔΕΔΟΜΕΝΑ
CHAR-BROIL, LLC

Όνομασία συσκευής	Μπάρμπεκιου αερίου/Γκριλ αερίου		
Συνολική ονομαστική είσοδος θερμότητας	9.67 kW (704 g/h)		9.67 kW (704 g/h)
Κατηγορία αερίου	I3+(28-30/37)	I3B/P(30(I3B/P(50)
Αρ. μοντέλου	468972023		468782023
Τύπος αερίου	Βουτάνιο	Προπάνιο	Βουτάνιο, προπάνιο ή μείγματά τους
Πίεση αερίου	28-30 mbar	37 mbar	30 mbar
Μέγεθος εγχυτήρα (διάμετρος σε mm)	Μπάρμπεκιου: 0,86 x 2 τεμ.		Μπάρμπεκιου: 0,75 x 2 τεμ.
Καίω Καυστήρας Μέγεθος εγχυτήρα (διάμετρος σε mm)	0,91 x 1 pcs		0,81 x 1 pcs
Χώρες προορισμού	GB, FR, BE, ES, IT, PT, CZ, SK, CH, CY, GR, IE, LT, LU, LV, SI	DK, NO, NL, SE, FI, IS, CZ, IT, SK, BG, CY, EE, HR, HU, LT, LU, LV, MT, RO, SI, TR	AT, DE, CH, LU, SK

Μπαταρία 1,5 V συνεχούς ρεύματος (DC)

Ανοξειδωτος χάλυβας

Υπάρχουν πολλοί διαφορετικοί τύποι (κράματα) υλικών που θεωρούνται ανοξειδωτος χάλυβας.

Ένα κοινό γνώρισμα των διαφορετικών αυτών τύπων είναι ότι ενδέχεται να υποστούν διάβρωση (οξείδωση) ανάλογα με τις συνθήκες στις οποίες θα εκτεθούν.

Αυτό ισχύει και για την καινούρια σας συσκευή μπάρμπεκιου.

Προκειμένου να διασφαλίσετε ότι η συσκευή μπάρμπεκιου θα διατηρήσει την εμφάνιση και τη λειτουργικότητά της για πολλά χρόνια, καλό θα είναι να ακολουθείτε τις παρακάτω οδηγίες.

1) Αν η συσκευή μπάρμπεκιου έχει μαζέψει υγρασία ή έχει βραχεί, φροντίστε να τη σκουπίσετε και να τη στεγνώσετε με ένα πανί για να αποφευχθεί η διάβρωση των επιφανειών της.

2) Κάτω από ορισμένες συνθήκες ο ανοξειδωτος χάλυβας ενδέχεται να σκουριάσει. Αυτό μπορεί να οφείλεται στις συνθήκες του περιβάλλοντος, π.χ. χλώριο ή θαλασσινό νερό, ή σε ακατάλληλα εργαλεία καθαρισμού, π.χ. σύρμα ή ατσάλωμαλλο. Επίσης, ενδέχεται να αποχρωματιστεί λόγω θερμότητας, χημικών ή συσσώρευσης λίπους.

3) Για να διατηρήσετε την υψηλής ποιότητας εμφάνιση της συσκευής σας, μπορείτε να την πλένετε με ήπιο απορρυπαντικό και χλιαρό σαπουνόνερο και να τη σκουπίζετε με ένα μαλακό πανί για να στεγνώσει μετά από κάθε χρήση. Για τα συσσωρευμένα καμένα λίπη ίσως χρειαστεί να χρησιμοποιήσετε ένα σφουγγαράκι με λειαντικό καθαριστικό πλαστικών. Τρίψτε μόνο προς τη φορά της βαφής του φινιρίσματος για να μην προξενήσετε ζημιά. Μη χρησιμοποιήσετε λειαντικό σφουγγαράκι σε σημεία με γραφικά.

4) Φροντίστε να αλείφετε τα εσωτερικά εξαρτήματα της συσκευής μπάρμπεκιου και τις σχάρες με μαγειρικό λάδι.

Σημείωση:

Για να μη γρατζουνίσετε την επιφάνεια οπότε θα αυξηθούν οι πιθανότητες να σκουριάσει, ποτέ μη χρησιμοποιείτε ατσάλωμαλλο ή παρόμοια υλικά όποτε καθαρίζετε ανοξειδωτο χάλυβα.

Κατά τον καθαρισμό τρίψτε μόνο προς τη φορά του φινιρίσματος της επιφάνειας από ανοξειδωτο χάλυβα, δηλαδή «ακολουθώντας τα νερά του».

Αν χρησιμοποιήσετε λειαντικά καθαριστικά, ενδέχεται να μείνουν γρατζουνιές.

Αν ο χώρος αποθήκευσης της συσκευής μπάρμπεκιου είναι κοντά σε παραλία, πισίνα ή σπα, η συσκευή θα διαβρωθεί (οξειδωθεί).

Καλύψτε τη συσκευή μπάρμπεκιου για να την προστατεύσετε από τη σκουριά.

TELEPÍTÉST/ÖSSZESZERELÉST VÉGZŐ SZEMÉLY:

Ezt a kézikönyvet a vevőnél kell hagyni.

VEVŐ:

Későbbi útmutatáshoz őrizze meg ezt a kézikönyvet.

Kérdések:

Amennyiben kérdései lennének a készülék összeszerelése vagy használata során, lépjen kapcsolatba a helyi forgalmazóval.




VESZÉLY




Ha gázzagot észlel:


1. Zárja el a készülék gázellátását.
2. Szüntessen meg minden nyílt lángot.
3. Nyissa fel a fedelet.
4. Ha továbbra is gázzag érezhető, ne tartózkodjon a készülék közelében, és azonnal hívja fel a gázszolgáltatót vagy a tűzoltóságot.




FIGYELMEZTETÉS



1. A készülék illetve más készülékek közelében tilos benzint vagy más tűzveszélyes folyadékot tárolni.
2. A készülék illetve más készülékek közelében tilos nem csatlakoztatott gázpalackot tárolni.



FIGYELEM



- A készülék összeszerelése és használatba vétele előtt olvassa el és tartsa be az összes biztonsági szabályt, összeszerelési utasítást és használati valamint karbantartási útmutatót.
- * Egyes alkatrészek élesek lehetnek. Védőkesztyű használata ajánlott.

Zsiradéktüzek

- **A zsiradéktüzeket nem lehet eloltani a fedél lezárásával. A barbecue készülékek biztonsági okokból jól szellőztek.**
- **Zsiradéktűzre tilos vizet önteni, mert az személyi sérüléshez vezethet. Makacs zsiradéktűz kialakulása esetén zárja el az égőfej gombokat és a gázpalackot. Ha a készüléket nem tisztították rendszeresen, akkor az a készülék károsodását okozó zsiradéktűzhez vezethet.**
- **Az előmelegítés illetve az ételmaradékok leégetése során óvatosan kell eljárni, nehogy zsiradéktűz keletkezzen. A zsiradéktüzek megakadályozása érdekében tartsa be a készülék általános tisztítására és valamint az égőszerkezet tisztítására vonatkozó utasításokat. A zsiradéktüzek legegyszerűbben a készülék rendszeres tisztításával előzhető meg.**
- **Az előmelegítés illetve az ételmaradékok magas („HI”) állásban történő leégetése közben ne hagyja felügyelet nélkül a barbecue-t. Ha a barbecue-t nem tisztították rendszeresen, akkor az a készülék károsodását okozó zsiradéktűzhez vezethet.**



FIGYELMEZTETÉS



A készülék biztonságos használatának biztosításához és a súlyos sérülések elkerülése érdekében:

- **KIZÁRÓLAG A SZABADBAN HASZNÁLANDÓ! ZÁRT HELYEN TILOS HASZNÁLNI!**

A készülék használata előtt olvassa el a használati utasítást. Mindig tartsa be ezeket az utasításokat.

- Használat közben ne mozgassa a készüléket.
- A szabadon levő alkatrészek nagyon forrók lehetnek. A gyerekeket távol kell tartani. Ne engedje, hogy a készüléket gyerekek kezeljék vagy a készülék közelében játsszanak.
- Használat után zárja el a gázpalackot.
- A készüléket használat közben tűzveszélyes anyagoktól távol kell tartani.
- Hagyja szabadon a készülék oldalán és hátulján levő nyílásokat.
- Rendszeresen ellenőrizze az égőfejek lángját.
- Hagyja szabadon az égőfej venturi nyílásait.
- A készüléket csak jól szellőző helyen szabad használni. **TILOS** zárt helyen, pl. gépkocsibeállóban, garázsban, teraszon, fedett verandán vagy bármiféle felső épületszerkezet alatt használni!
- Gázüzemű készülékben tilos faszenet vagy kerámia briketteket használni.
- **TILOS** a rácsokat alumíniumfóliával vagy bármiféle más anyaggal lefedni! Ezek megakadályozzák az égőfej szellőzését és anyagi kárhoz és/vagy személyi sérüléshez vezető veszélyes körülményeket okoznak.
- A készüléket a faltól vagy más felülettől legalább 1 m távolságra kell használni.
- Tartson 3 m távolságot bármilyen éghető anyagtól illetve gyújtóforrástól, pl. forróvízartály őrleángjától, bekapcsolt elektromos készülékektől stb.



- **SOHA NE kísérelje meg begyújtani az égőfejet, ha a fedél zárva van. A zárt készülékben felgyülemelő begyújtatlan gáz veszélyes.**
- A gázpalack előírt üzemeleti helyzetből történő elmozdítása előtt mindig zárja el a gázpalackot és válassza le a nyomásszabályzót.
- A készüléket tilos az előírt helyzetből elmozdított gázpalackkal működtetni.
- Tilos a készüléket módosítani. Bármiféle módosítás szigorúan tilos! A zárt alkatrészeket a felhasználó nem módosíthatja. Tilos a fűvókákat szétszerelni!

Biztonsági tanácsok

- A gázpalack szelepének kinyitása előtt ellenőrizze a nyomásszabályzó szorosságát.
- Ha nem használja a készüléket, zárja el az összes szabályzó gombot és a gázt.
- Az égési sérülések és fröccsenések elkerülése érdekében használjon hosszú nyelű barbecue eszközöket és edényfogó kesztyűt. A forró alkatrészek kezelése során viseljen védőkesztyűt.
- A melegítő lap (amennyiben van ilyen) és az oldalpolc maximális teherbírása 4,5 kg. A főzésre használt edény minimális átmérője 200 mm, maximális átmérője 260 mm. **MEGJEGYZÉS:** Lehetséges, hogy az Ön barbecue-ja NINCS ellátva melegítő lappal!
- A zsírfogó poharat (amennyiben van ilyen) be kell helyezni a készülékbe és minden használat után ki kell üríteni. Ne távolítsa el a zsírfogó poharat, amíg a készülék teljesen le nem hűlt.
- A fedelet nagyon óvatosan kell felnyitni, mert a készülékből forró gőz távozhat.
- Nagyon óvatosan kell eljárni, ha a közelben gyerekek, öregek vagy háziállatok tartózkodnak.
- Ha azt észleli, hogy a készülékből zsiradék vagy egyéb forró anyag csöpög a szelepre, a tömlőre vagy a nyomásszabályzóra, akkor azonnal zárja el a gázt. Keresse meg a csöpögés okát, szüntesse meg, majd tisztítsa meg és ellenőrizze a szelepet, a tömlőt és a nyomásszabályzót, mielőtt a készüléket tovább használja. Végezzen el szivárgás ellenőrző tesztet.
- Ne tároljon olyan tárgyakat vagy anyagokat a készülék kocsijának belső terében, amelyek akadályozhatják az égéshez szükséges levegő áramlását a szabályzó panel vagy az égőtér aljához.
- A gázpalackot TILOS nyílt lángtól vagy egyéb gyújtóforrástól 3 m távolságon belül leválasztani illetve cserélni.

A palack elhelyezése

A készülékbe helyezett hengerek maximális átmérője 340 mm, maximális magassága pedig a szabályzóval együtt 580 mm lehet. A nagyobb hengereket csak az oldalsó polc alatt vagy a grill mögött szabad elhelyezni. A földre helyezett hengereket nem szabad a főzőlap alá helyezni.

A nyomásszabályzóra vonatkozó előírások

Ehhez a készülékhez nyomásszabályzót kell használni. Csak a barbecue-jához mellékelt gáznyomás szabályzót szabad használni. Ha nincs mellékelve nyomásszabályzó, akkor csak az EN16129 szerint minősített (Áramlási sebesség max. 1,5 kg/h) és az ön országához valamint a műszaki adatokban meghatározott gázpushoz jóváhagyott nyomásszabályzót szabad használni. A nyomásszabályzójával kompatibilis gázpalackot kell használnia.

A tömlőre vonatkozó előírások

Kizárólag a megfelelő EN szabvány szerint minősített, maximum 1,5 m hosszúságú tömlőt szabad használni. Finnországban a tömlő hossza nem haladhatja meg az 1,2 m-t. Minden használat előtt ellenőrizze, hogy a tömlők nincsenek-e elvágva vagy elkopva. Ellenőrizze, hogy a tömlő ne legyen megcsavarodva. Ügyeljen arra, hogy a csatlakoztatott tömlő ne érjen meleg felületekhez. A készülék használata előtt cserélje le a sérült tömlőket. A tömlőket az országos előírásoknak megfelelően kell lecserélni.

Gyújtófejjel történő begyújtás

- Begyújtás közben ne hajoljon a barbecue fölé.
1. Kapcsolja a gázégő szabályzó szelepeket O (Ki) állásba.
 2. Begyújtás illetve újra gyújtás közben nyissa fel a fedelet.
 3. NYÍSSA KI a gázt a gázpalacknál.
 4. A begyújtáshoz nyomja be és forgassa el az égő gombját (MAGAS) állásba. Azonnal nyomja be és tartsa benyomva az ELEKTROMOS GYÚJTÓFEJ gombját, amíg az égőfej be nem gyullad.
 5. Ha a láng 5 másodpercen belül NEM gyullad be, akkor kapcsolja az égőfej szabályzókat O (Ki) állásba, várjon 5 percig, majd ismétlje meg a begyújtási műveletet.
 6. Ismétlje meg a 5-4. lépést a grill másik oldalának a begyújtásához.

!**FIGYELMEZTETÉS**!

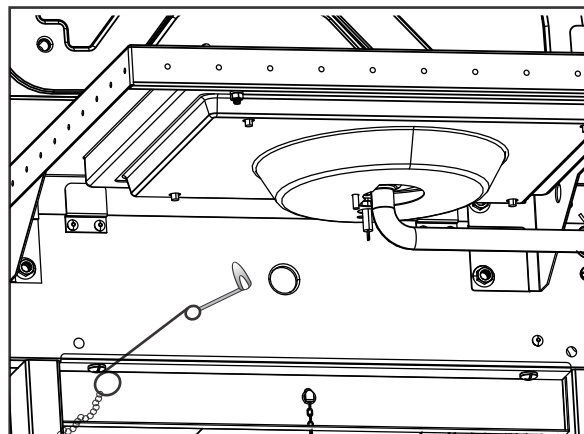
Kapcsolja ki a kezelőszerveket és a gázpalackot, ha nem használja.
Ügyeljen arra, hogy a csatlakoztatott tömlő ne érintse meg a meleg felületeket.

!**FIGYELEM**!

Ha a láng 5 másodpercen belül NEM gyullad be, akkor kapcsolja az égőfej szabályzókat O (Ki) állásba, várjon 5 percig, majd ismétlje meg a begyújtási műveletet. Ha a az égőfej nem gyullad be nyitott szelep mellett, akkor a gáz továbbra is kifelé áramlik az égőfejből, és véletlenül begyulladva sérülést okozhat.

Gyufával történő begyújtás

- **Begyújtás közben ne hajoljon a barbecue fölé.**
1. Kapcsolja (ki) a gázégő vezérlőszelepeit.
 2. Nyissa ki a fedelet világítás vagy újragyújtás közben.
 3. Kapcsolja be a gázt az LP palacknál.
 4. Helyezze a meggyújtott gyufát az égő közelében. Azonnal forgassa a Sear Burner gombot HIGH állásba. Ügyeljen arra, hogy az égő lámpái folyamatosan világítsanak.



Síró égő gyújtó világítás

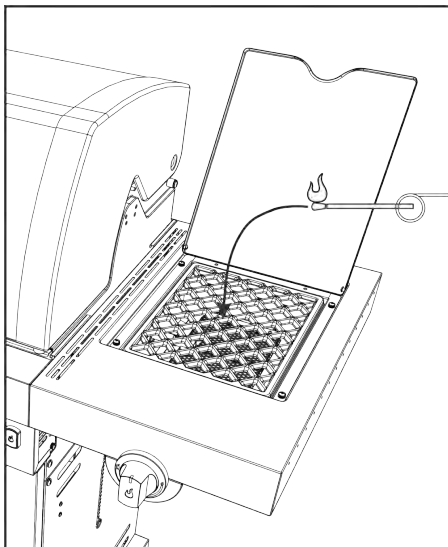
Világítás közben ne hajoljon a barbecue fölé.

1. Kapcsolja KI állásba a gázégő vezérlőszelepeit.
2. Nyissa ki a fedelet világítás vagy újragyújtás közben.
3. Kapcsolja be a gázt az LP palacknál.
4. Fordítsa a Síró égő gombot HIGH állásba, nyomja meg és tartsa lenyomva az ELECTRONIC IGNITOR gombot.
5. Ha a Síró égő NEM világít 5 másodpercen belül, kapcsolja KI állásba, várjon 5 percet, majd ismétlje meg a megvilágítási eljárást.

Síró égő gyufa világítás

Világítás közben ne hajoljon a barbecue fölé.

1. Kapcsolja KI állásba a gázégő vezérlőszelepeit.
2. Nyissa ki a fedelet világítás vagy újragyújtás közben.
3. Kapcsolja be a gázt az LP palacknál.
4. Helyezzen meggyújtott gyertyát az égő közelében. Azonnal forgassa a Síró égő gombot HIGH állásba. Ügyeljen arra, hogy az égő világítson és folyamatosan világítson.



FIGYELEM



PÓK FIGYELMEZTETÉS!

PÓKOK ÉS PÓKHÁLÓK AZ ÉGŐFEJ BELSEJÉBEN



Ha egyre nehezebben gyújtható be a barbecue vagy gyenge a láng, akkor ellenőrizze és tisztítsa ki a venturikat és az égőfejeket.

Ismert, hogy a pókok vagy kisméretű rovarok „visszalángolásos” problémákat okozhatnak azzal, hogy a barbecue venturi csövébe vagy égőfejébe fészkelve illetve petézve akadályozzák a gáz áramlását. A felhalmozódott gáz a vezérlőpanel mögött begyulladhat. Ez a visszalángolás károsíthatja a barbecue-t és személyi sérülést okozhat. A visszalángolások megakadályozása és a megfelelő működés biztosítása érdekében az égőfejet és a venturi cső egységet mindig ki kell szerelni és ki kell tisztítani, ha a barbecue-t hosszabb időn keresztül nem használták.

A szelepek, a tömlő és a nyomásszabályzó szivárgásellenőrzése

A szivárgásellenőrzést az első begyújtás előtt, évente legalább egyszer, és a palack cseréje vagy leválasztása esetén minden alkalommal el kell végezni.

1. Forgassa a készülék összes szabályzó gombját io állásba O.
2. Ellenőrizze, hogy a nyomásszabályzó szorosan a gázpalackhoz van csatlakoztatva.
3. Nyissa ki a gázt. Ha sziszegő hangot hall, azonnal zárja el a gázt. A csatlakozásnál nagymértékű szivárgás van. Szüntesse meg, mielőtt tovább lépne.
4. Ecsettel kenjen szappanos oldatot (szappan és víz fele-fele arányú keverékét) a tömlő csatlakozásokra.
5. Ha növekvő buborékok képződnek, akkor az szivárgást jelez. Azonnal zárja el a gázt a palacknál és ellenőrizze a csatlakozások szorosságát. Ha a szivárgást nem lehet megszüntetni, ne kísérelje megjavítani. Kérjen cserealkatrészeket.
6. A szivárgásellenőrzés elvégzése után mindig zárja el a gázt a palacknál.

Az égőfej egység tisztítása

Kövesse a következő utasításokat az égőfej egység alkatrészeinek tisztításához vagy kicseréléséhez, illetve akkor, ha a barbecue nehezen gyújtható be.

1. Zárja el a gázt a szabályzó gomboknál és a gázpalacknál.
2. Távolítsa el a sütő rácsokat és hőterelő elemeket.
3. Távolítsa el az összekötő csöveket és az égőfejeket rögzítő elemeket.
4. Válassza le az elektródát az égőfejről.

MEGJEGYZÉS: Az eltávolítás/leválasztás módja az égőfej elrendezésétől függ. A különböző elrendezések az alábbi ábrákon láthatók.

5. Óvatosan felfelé és kifelé emelve távolítsa el mindegyik égőfejet a szelepek nyílásaiból. Az égőfejek csöveinek tisztításához három módszert javasolunk. Használja az Önnek legkönnyebb módszert.
 - A. Egy darab merev drótból hajlítson egy kampót (egy könnyű ruhaakasztó jól megfelel erre a célra). A kampót dugja át többször mindegyik égőfej csövön.



- B. Használjon egy rugalmas fogantyúval rendelkező keskeny palackmosó kefért (ne használjon sárgarézből készült drótkefét). Tolja át a kefért többször mindegyik égőfej csövön.
- C. Viseljen szemvédő eszközt: Légtömítővel fúvassa át az égőfej csövet és az égőfej nyílásait. Ellenőrizze mindegyik nyílást, hogy mindegyik nyílásból távozik levegő.

6. Drótkéfével távolítsa el az ételmaradékokat és szennyeződések az égőfej teljes felületéről.
7. Egy merev drótdarabbal, pl. egy kiegyenesített gemkapoccsal tisztítsa meg az eltömődött nyílásokat.
8. Ellenőrizze, hogy az égőfej normál elhasználódás agy korrózió miatt nem károsodott-e, mivel a nyílások emiatt nagyobb méretűvé válhatnak. Ha nagyméretű repedést vagy lyukat talál, akkor cserélje ki az égőfejét.

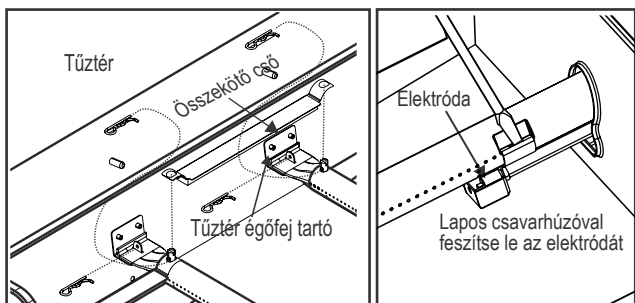
NAGYON FONTOS: Az égőfej csöveknek illeszkedniük kell a szelepnyílásokba.

Lásd a jobb oldali ábrákat.

Az égőfej és a szelep megfelelő illeszkedése



9. Csatlakoztassa az elektródát az égőfejhez.
10. Óvatosan helyezze vissza az égőfejeket.
11. Csatlakoztassa az égőfejeket a tüztér konzoljaihoz.
12. Helyezze vissza az összekötő csöveket és csatlakoztassa az égőfejekhez. Helyezze vissza a sütő rácsokat és hőterelő elemeket.
13. Mielőtt újra használná a barbecue-t, végezzen el egy "Szivárgásellenőrző tesztet" és "Égőfej lángellenőrző tesztet".



A készülék tárolása

- Tisztítsa meg a sütő rácsokat.
- Tárolja hűvös helyen.
- Ha a készülékhez gázpalack van csatlakoztatva, tárolja a szabadban, jól szellőző helyen, gyermekek elől elzárva.
- Takarja le a készüléket, ha a szabadban tárolja.
- A készüléket KIZÁRÓLAG akkor tárolja zárt helyen, ha a gázpalackot elzárta, leválasztotta a készülékről, és azt szabadban tárolja.
- A készüléket tárolásból elővéve ellenőrizze, hogy nincsenek-e eltömődve az égőfejek.

Általános készüléktisztítás

A grill időszakos tisztítása szükséges, mivel a grill tüzei akkor fordulhatnak elő, amikor zsír és ételtörmelék gyűlik össze a grill aljában. Minden használat után Char-Broil Cool-Clean ecsettel távolítsa el a maradék ételrészecskéket a főzőrácstról és a grill belsejéből. Később a Char-Broil Grate Cleaner-t bőségesen permetezheti a rostélyra, hagyhatja 10 percig működni, és nedves ruhával vagy ecsettel törölje le.

végezze el a grill tisztítását, miután a grill lehült.

- Ne tévessze a barna vagy fekete zsír- és füstfelhalmozódást festékeknek. A gázgrillek belsejét nem gyárilag festik (és soha nem szabad festeni). Vigyen fel egy erős mosószert és vizet, vagy használjon súroló kefével ellátott tisztítószerrel a készülék fedele és alján. Öblítse le és hagyja teljesen megszáradni. Ne használjon maró készüléket / sütőtisztítót festett felületekre.

- Műanyag alkatrészek: Mossa le meleg szappanos vízzel és törölje szárazra. Ne használjon súrolószert, zsírtalanítót vagy koncentrált készüléktisztítót műanyag alkatrészekben. Ennek következtében az alkatrészek megsérülhetnek és meghibásodhatnak.
- Porcelán felületek: Az üvegszerű összetétel miatt a legtöbb maradékot szóda-bikarbóna / vizes oldattal, üvegtisztítóval vagy Char-Broil Grate Cleaner-rel törölhetjük el. Makacs foltokhoz használjon nem koptató súrolóport.
- Festett felületek: Enyhe mosószerezrel vagy tisztítószerezrel és meleg szappanos vízzel vagy Char-Broil Grill tisztítószerezrel mossa le. Puha ruhával törölje szárazra nem dörzsölő kendő.
- Sütési felületek: A grillezés előtt győződjön meg arról, hogy a főzőfelületeken nem maradtak laza sörték. Amíg a grill forró, csak a főzőfelületek tisztítását ajánljuk a Char-Broil Hot-Clean cserefejjel (a Char-Broil Cool-Clean Premium kefével).

◆◆◆ CLEAN beállítás

A grill egy innovatív CLEAN beállítással van felszerelve, amely lehetővé teszi problémamentes grill tisztítást. Az égőkből származó magas hő az összes megmaradt ételtörmelék hamuvá varázsolja.

Kovess ezeket a lépéseket:

- A grillezés befejezése után állítsa az összes fő égőt a CLEAN (Tiszta) beállításra, és maradjon kb. 12 - 15 percig
- Körülbelül 12 - 15 perc elteltével állítsa az összes főégőt OFF állásba, és hagyja lehűlni a grillt
- Miután a grill kihült, használjon Char-Broil Cool-Clean kefével a maradék törmelék eltávolításához és a hamu ártalmatlanításához
- A rendkívül fényes eredmények eléréséhez utolsó lépésként használja a Char-Broil Grate Cleaner-t. Szórjon bőségesen a rostélyra, hagyja 10 percig működni, és nedves ruhával vagy ecsettel törölje le.

MŰSZAKI ADATOK
CHAR-BROIL, LLC

A készülék elnevezése	Gáz barbecue/Gáz grill		
Összes névleges leadott hőteljesítmény	9.67 kW (704 g/h)		9.67 kW (704 g/h)
Gáz kategória	I3+(28-30/37)	I3B/P(30)	I3B/P(50)
Modell szám	468972023		468782023
Gáz típusa	Bután	Propán	Bután, propán vagy azok keverékei
Gáznyomás	28-30 mbar	37 mbar	30 mbar
Injektor mérete (átmérő, mm)	Barbecue: 0,86 x 2 db.		Barbecue: 0,75 x 2 db.
Síró égő Injektor mérete (átmérő, mm)	0,91 x 1 pcs		0,81 x 1 pcs
Célországok	GB, FR, BE, ES, IT, PT, CZ, SK, CH, CY, GR, IE, LT, LU, LV, SI	DK, NO, NL, SE, FI, IS, CZ, IT, SK, BG, CY, EE, HR, HU, LT, LU, LV, MT, RO, SI, TR	AT, DE, CH, LU, SK

1,5 V Egyenáramú elem

Rozsdamentes acél

Számos különböző összetételű anyag (ötvözet) létezik, amelyeket rozsdamentes acélnak tekintenek.

Ezeknek a különböző típusoknak közös jellemzője, hogy korrodálódhatnak (oxidálódhatnak), attól függően, hogy milyen körülményeknek vannak kitéve.

Ez az Ön új barbecue-jára is érvényes.

Annak biztosítása érdekében, hogy barbecue-ja hosszú évekig megőrizze megjelenését és működését, kérjük kövesse az alábbi tanácsokat.

- 1) Ha a barbecue nedvessé vált, a felületi korrózió megelőzése érdekében egy ruhadarabbal törölje szárazra.
- 2) A rozsdamentes acél bizonyos körülmények között rozsdásodhat. Ezt olyan környezeti körülmények okozhatják, mint pl. a klór vagy a sós víz, illetve a nem megfelelő tisztító eszközök, pl. drót vagy acélszivacs. Az anyag mellett hő, vegyszerek vagy zsiradék-felhalmozódás miatt el is színeződhet.
- 3) A készülék minőségi megjelenésének megőrzéséhez minden használat után mossa le gyenge mosószerrel és meleg szappanos vízzel, majd törölje szárazra puha ruhával. A ráégett zsírmaradékok eltávolításához szükség lehet dörzsölő hatású műanyag szivacs használatára. A károsodás elkerülése érdekében csak a csiszolt felület irányában használja. Ne használjon dörzsölő hatású szivacsot az ábrákat tartalmazó felületeken.
- 4) Étolajjal kenje be a barbecue belső felületeit és a rácsokat.

Megjegyzés:

A felület megkarcolásának, s ezzel a rozsdásodás lehetőségének az elkerülése érdekében soha ne használjon acélszivacsot vagy hasonló eszközt a rozsdamentes acél tisztításához.

A tisztítás során a rozsdamentes acél csiszolásának irányában haladjon - „a szálak irányában”.

A dörzsölő hatású tisztítószerrel történő tisztítás karcolásokat hagyhat hátra.

A barbecue tengerpart, uszoda vagy wellness központ közelében történő tárolása a barbecue korrózióját (oxidációját) okozza.

A rozsdásodás elleni védelem érdekében takarja le a barbecue-ját.

ЗА ЛИЦЕТО, КОЕТО ИНСТАЛИРА / СГЛОБЯВА БАРБЕКЮТО:


Това ръководство да се остави на потребителя.

ПОТРЕБИТЕЛ:


Запазете ръководството за бъдещи справки.

Въпроси:

Ако имате въпроси по време на сглобяването или при използването на барбекюто, обърнете се към вашия местен дилър.



ОПАСНОСТ



Ако усетите миризма на газ:

1. Спрете газа към барбекюто.
2. Изгасете всеки открит пламък.
3. Отворете капака.
4. Ако миризмата продължава да се усеща, отдръпнете се от барбекюто и се обадете на вашия доставчик на газ или на пожарната.



ПРЕДУПРЕЖДЕНИЕ



1. Да не се съхранява бензин или други запалими течности в близост до барбекюто или до други уреди.
2. Газова бутилка, която не е свързана за използване към барбекюто, да не се съхранява в близост до него или до други уреди.




ВНИМАНИЕ




- Прочетете и следвайте всички указания за безопасност, инструкциите за сглобяване, използване и поддръжка преди да започнете сглобяването и употребата на барбекюто.
- Някои части може да имат остри ръбове. Препоръчва се носенето на предпазни ръкавици.

Пламъци от Мазнината

- Не е възможно изгасянето на пламъци от мазнината като се затвори капака. Барбекютата са добре вентилирани с цел безопасност.
- Да не се излива вода върху пламъци от мазнината, защото това може да доведе до телесна повреда. Ако мазнината гори продължително време, завъртете контролните ключове и газовата бутилка на изключено положение.
- Ако барбекюто не се почиства редовно, е възможно възникването на огън от останалата мазнина. Когато изгаряте остатъци от храна, внимавайте да не възникне такъв огън. Следвайте инструкциите за общо почистване на уреда и на горелките. Най-добрият начин да не се получат пламъци от мазнината е редовното почистване на барбекюто.
- Да не се оставя барбекюто без надзор когато се претопля храна или се изгарят хранителни остатъци на НІ. Ако барбекюто не е било почиствано редовно, може да възникне огън от мазнината и да го повреди.



ПРЕДУПРЕЖДЕНИЕ

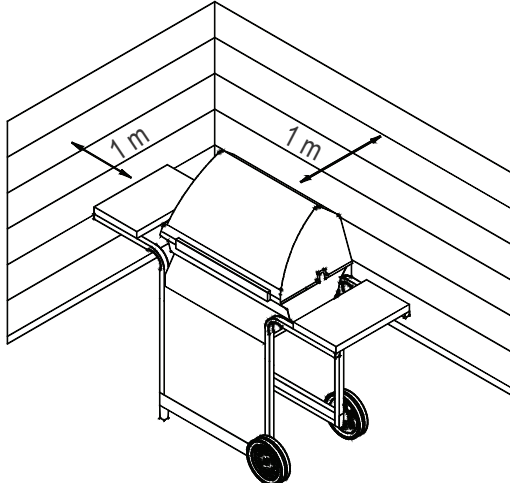


За безопасно използване на вашето барбекю и за да се избегне нараняване:

- **ДА СЕ ИЗПОЛЗУВА САМО НА ОТКРИТО. НИКОГА ДА НЕ СЕ ИЗПОЛЗУВА В ЗАКРИТО ПОМЕЩЕНИЕ!**

Прочетете инструкциите преди използване. Винаги следвайте тези инструкции.

- Да не се мести барбекюто по време на ползване.
- Някои части може да са горещи. Дръжте малки деца настрана. Не позволявайте на малки деца да боравят с барбекюто или да играят в близост до него.
- След употреба, спрете подаването на газ от бутилката.
- Не дръжте запалими материали в близост до барбекюто когато то се използва.
- Да не се блокират отворите встрани и отзад на уреда.
- Проверявайте редовно пламъците на горелките.
- Да не се блокират отворите на вентурите на горелката.
- Барбекюто да се използва само на добре проветрено място. НИКОГА да не се използва в затворено място като гараж, покрит вход, покрит вътрешен двор, или под навес.
- Да не се използват дървени въглища или керамични брикети в газово барбекю.
- ДА НЕ СЕ покриват скарите с алуминиево фолио или с друг материал. Това ще блокира вентилацията на горелките и може да предизвика потенциално опасна ситуация, която да доведе до щети на имущество и/или до телесна повреда.
- Барбекюто да се използва на най-малко 1 м разстояние от стена или друга повърхност.
- Да има 3 м отстояние от запалими предмети или от източници на възпламеняване като контролни светлини на водни нагреватели, открити електроуреди, и т.н.



- НИКОГА не се опитвайте да запалите горелка със затворен капак. Опасно е натрупването на незапалив газ в затворено пространство.
- Винаги спирайте газа при бутилката и разкачайте регулатора преди да преместите газовата бутилка от посочената позиция.
- Никога не пускайте барбекюто, ако газовата бутилка не е на точното място.
- Да не се изменя конструкцията на барбекюто. Всяка промяна е строго забранена. Пломбирани части да не се манипулират от потребителя. Да не се разкачат инжектори.

Съвети за безопасност

- Проверете регулатора дали е затегнат преди да отворите газовата бутилка.
- Изключете всички контролни ключове и газта когато барбекюто не се използва.
- Използвайте прибори с дълга дръжка и ръкавици за фурна за да се избегнат изгаряния и пръски. Сложете си предпазни ръкавици когато боравите с горещи части.
- Максималното натоварване за котлона, ако има такъв, и на страничната лавица е 4.5 кг. Минималният диаметър на съд за готвене е 200 мм, а максималният – 260 мм. **ЗАБЕЛЕЖКА:** Вашето барбекю може да не е оборудвано с котлон!
- Съдът за мазнина (ако има такъв) трябва да се вкара в барбекюто и да се изпразва след всяко ползване. Да не се изважда докато барбекюто не е изстинало напълно.
- Бъдете много внимателни като отваряте капака защото гореща пара може да излезе.
- Бъдете много внимателни когато наблизо има деца, възрастни хора или животни.
- Ако забележите мазнина или друг горещ материал да капе от барбекюто на вентил, маркуч или регулатор, спрете веднага подаването на газ. Вижте каква е причината, поправете я, след това почистете и инспектирайте вентила, маркуча и регулатора преди да продължите. Направете тест за течове.
- Не съхранявайте предмети или материали вътре в барбекюто, които може да блокират въздушния поток за горенето към долната страна на контролния панел или на огнището.
- **ДА НЕ СЕ** разкачва или сменя газовата бутилка на по-малко от 3 м от открит огън или друг източник на възпламеняване.

Поставяне на газовата бутилка

Цилиндриите, поставени в уреда, трябва да имат максимален диаметър от 340 mm и максимална височина, включително регулатора, от 580 mm. По-големите бутилки трябва да се поставят само под страничния рафт или зад барбекюто. Бутилките, поставени на земята, не трябва да се поставят под котлона.

Изисквания за регулатора

Трябва да се използва регулатор при работа с барбекю. Да се използва само регулаторът, доставен заедно с вашето барбекю. Ако не е доставен, тогава да се използва само регулатор, сертифициран в съответствие с EN16129 (с максимален дебит 1.5 кг/ч.) и одобрен за вашата държава, с посочен газ в теъническите данни. Трябва да използвате газова бутилка, съвместима с регулатора.

Изисквания за маркуча

Да се използва само одобрен маркуч, сертифициран според съответния EN стандарт и да не надвишава 1.5 м. Преди всяко използване на барбекюто, проверете дали маркучите не са нарязани или износени. Уверете се, че маркучът не е прегънат. Проверете дали свързаният маркуч не се допира до топли повърхности. Заменете повредените маркучи преди употреба. Заменете маркуч, ако се налага от държавните изисквания.

Запалване на възпламенителя

- **Не се облягайте на барбекюто когато го запалвате.**
1. Завъртете контролните клапани на газовата горелка на ○ (изключено).
 2. Отворете капака по време на запалване или при повторен опит.
 3. Отворете газта ON при LP газовата бутилка.
 4. За да се запали газта, натиснете и завъртете ключа за запалване на горелката на 🔻 HIGH. Веднага след това, натиснете и задръжте ключа ELECTRONIC IGNITOR докато горелката не се запали.
 5. Ако НЕ се запали в рамките на 5 секунди, завъртете контролните ключове на горелката на ○ (изключено), изчакайте 5 минути и повторете процедурата по запалването.
 6. Повторете стъпки 5-4 за да запалите другата част на скарата.

⚠

ПРЕДУПРЕЖДЕНИЕ

⚠

Изключете управлението и газовата бутилка, когато не се използват.

Уверете се, че когато свържете маркуча, не докосва топли повърхности.

⚠

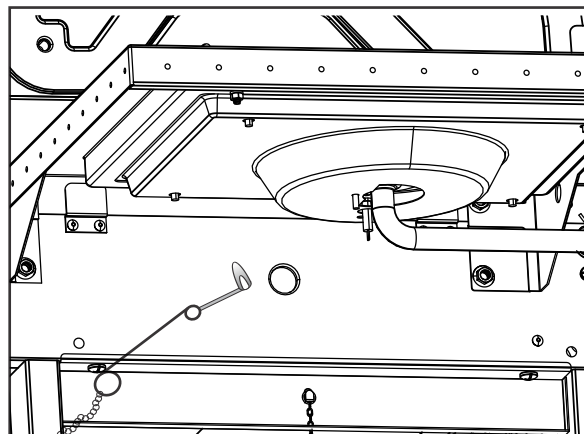
ВНИМАНИЕ

⚠

Ако възпламеняването НЕ се случи в рамките на 5 секунди, завъртете контролните ключове на горелката на ○ (изключено), изчакайте 5 минути и повторете процедурата по запалването. Ако горелката не се запали и вентилът за газта е отворен, газта ще продължи да изтича от горелката и може да се запали случайно с риск за увреждане

Запалване с кибрит

- **Не се облягайте на барбекюто когато го запалвате.**
1. Включете (изключете) контролните клапани на газовата горелка.
 2. Отворете капака по време на осветление или повторно осветление.
 3. Включете газ в LP цилиндър.
 4. Поставете запален кибрит близо до горелката. Незабавно завъртете копчето Sear Burner в позиция HIGH. Уверете се, че горелката свети и свети.



изгарящ Горелка Запалително осветление

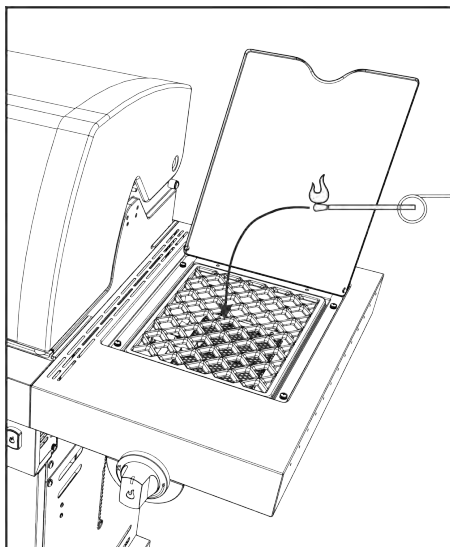
Не се навеждайте над барбекю, докато осветявате.

1. Завъртете регулиращите клапани на газовата горелка в положение OFF.
2. Отворете капака по време на осветление или повторно осветление.
3. Включете газ в LP цилиндър.
4. Завъртете копчето изгарящ Горелка в позиция HIGH, натиснете и задръжте бутона ELECTRONIC IGNITOR.
5. Ако изгарящ Горелка НЕ светне в рамките на 5 секунди, завъртете копчето в положение OFF, изчакайте 5 минути, след което повторете процедурата за осветяване.

изгарящ Горелка Мач осветление

Не се навеждайте над барбекю, докато осветявате.

1. Завъртете регулиращите клапани на газовата горелка в положение OFF.
2. Отворете капака по време на осветление или повторно осветление.
3. Включете газ в LP цилиндър.
4. Поставете запален мач близо до горелката. Незабавно завъртете копчето изгарящ Горелка в позиция HIGH. Уверете се, че горелката свети и свети.





ВНИМАНИЕ



ПРЕДУПРЕЖДЕНИЕ ЗА ПАЯЦИ!
ПАЯК И ПАЯЖИНИ В ГОРЕЛКА



Ако вашето барбекю се запалва трудно или пламъкът е слаб, проверете и почистете вентурите и горелките.

Известно е, че паяци или малки насекоми създават проблеми, правейки гнезда и снасяйки яйца във вентурите на барбекюто или в горелката като възпрепятствуват потока на газта. Това може да повреди барбекюто и да предизвика нараняване. За да се избегне това, горелката и тръбите на вентури би трябвало да се извадят и почистят когато барбекюто не е било използвано дълго време.

Тест за течове от вентили, маркуч и регулатор

Направете тест за течове преди първата употреба на барбекюто, най-малко един път годишно, и всеки път когато газовата бутилка се еменя или разкача.

1. Завъртете всички контролни ключове на 0 (изключено).
2. Уверете се, че регулаторът е здраво свързан за газовата бутилка.
3. Пуснете газта. Ако чуete свистящ звук, спрете веднага газта. Има голям теч в свързката. Поправете го преди започнете отново.
4. Сложете сапунен разтвор (смес от половин сапун и половин вода) върху свързките на маркуча.
5. Ако се покажат уголемяващи се мехурчета, значи има теч. Спрете веднага газта при газовата бутилка и проверете дали свързването е здраво затегнато. Ако течът не може да бъде спряен, не се опитвайте да поправите. Обадете се да замените частите.
6. Винаги спирайте газта при бутилката след като извършите тест за течове.

98

Почистване на Горелката

Следвайте инструкциите за почистване и/или подмяна на части от горелката, или ако барбекюто се запалва трудно.

1. Спрете газта при контролните ключове и LP бутилката.
2. Извадете скарите и покривалата на горелките.
3. Извадете носещите тръби и закрепването на горелките.
4. Разкачете електрода от горелката.

ЗАБЕЛЕЖКА: Начин на изваждане / разкачане ще зависи от конфигурацията на горелката. Вижте различните конфигурации в илюстрациите, дадени по-долу.

5. Внимателно извадете всяка горелка от отворите на клапана. Ние препоръчваме три начина за почистване на тръбите на горелката. Използвайте този, който е най-лесен за вас.
 - А. Прегънете твърда жица (лека закачалка е много подходяща) в малка кука. Прекарайте куката през всяка тръба на горелката няколко пъти.



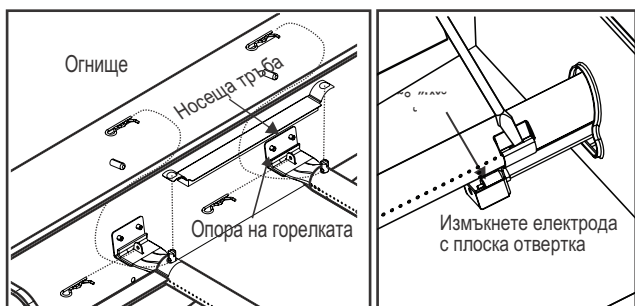
- Б. Използвайте тясна четка за бутилки с огъваща се дръжка (да не се използва телена четка). Прекарайте четката през всяка тръба на горелката няколко пъти.
 - В. **Да се носят предпазни очила:** Използвайте сешоар за да вкарате въздух в тръбата на горелката и извън отворите. Проверете всеки отвор за да сте сигурни, че въздухът излиза от всяка дупка.
6. С телена четка изчистете външната повърхност на горелката от мазнина и мръсотията.
 7. Почистете всички блокирани отвори с твърда жица, като например разгънат кламер.
 8. Проверете горелката за повреди, дължащи се на нормално износване и корозия, някои отвори може да са се разширили. Ако има големи пукнатини или дупки, заменете горелката.

МНОГО ВАЖНО: Тръбите на горелката трябва да се захванат отново в отворите на клапана. Вижте илюстрациите вдясно.

Правилно горелка – към – клапан захващане.



9. Закачете електрода към горелката.
10. Внимателно поставете отново горелките.
11. Прикачете горелките към скобите на огнището.
12. Поставете отново носещите тръби и ги закачете към горелките. Поставете отново покривалата и скарите.
13. Преди да използвате барбекюто отново, направете тест за течове и проверка на пламъка на горелката.



Съхраняване на вашето барбекю

- Почистете скарите.
- Съхранявайте го на сухо място.
- Когато газовата бутилка е свързана към барбекюто, да се съхранява на добре проветрявано място и извън обсега на деца.
- Покрийте барбекюто, ако го съхранявате на открито.
- Поставете барбекюто в затворено помещение САМО, ако газовата бутилка е затворена и разкачена, извадена от барбекюто и се съхранява отвън.
- Когато го изваждате от склада, проверете дали някоя горелка не е задръстена.

Общо почистване на уреди

Необходимо е периодично почистване на тази скара, тъй като може да възникнат пожари на скара, когато мазнини и остатъци от храна се съберат в дъното на скарата. След всяка употреба отстранявайте останалите частици храна от решетката за готвене и отвътре на скарата, като използвате четка Char-Broil Cool-Clean. След това можете да напръскате обилно Char-Broil Grate Cleaner върху решетката, да оставите да подейства 10 минути и да избършете с мокра кърпа или четка.

извършете почистване на скарата, след като скарата се охлади.

- Не бъркайте кафяво или черно натрупване на мазнини и дим за боя. Интериорът на газовите барбекюта не се боядисва фабрично (и никога не трябва да се боядисва). Нанесете силен разтвор на препарат и вода или използвайте почистващ препарат с четка за почистване върху вътрешността на капака и дъното на уреда. Изплакнете и оставете да изсъхне напълно на въздух. Не нанасяйте разяждащ уред / почистващ препарат за фурна върху боядисани повърхности.

- Пластмасови части: Измийте с топла сапунена вода и избършете на сухо. Не използвайте абразивни почистващи препарати, обезмаслителни или концентриран препарат за почистване на уреди върху пластмасови части. Това може да доведе до повреда и повреда на части.

- Порцеланови повърхности: Поради подобен на стъкло състав, повечето остатъци могат да бъдат изтрети с разтвор на сода за хляб / вода, препарат за стъкло или почистващ препарат за решетки Char-Broil. Използвайте неабразивен почистващ прах за упорити петна.



- Боядисани повърхности: Измийте с мек препарат или почистващ препарат и топла сапунена вода или почистващ препарат за грил Char-Broil. Избършете на сухо с мека неабразивен плат.

- Готварски повърхности: Уверете се, че на повърхностите за готвене не остават разхлабени четина преди печене. Докато грилът е горещ, се препоръчва почистването само на повърхностите за готвене с помощта на заместващата глава Char-Broil Hot-Clean (на четката Char-Broil Cool-Clean Premium). CLEAN Настройка Вашата скара е оборудвана с иновативна настройка CLEAN, която позволява безпроблемно почистване на скара. Силната топлина, генерирана от горелките, ще превърне всички останали остатъци от храна в пепел.

Следвай тези стъпки:

- След като приключите с приготвянето на скара, настройте всички основни горелки в положение CLEAN и оставете за около 12 - 15 минути
- След приблизително 12 - 15 минути настройте всички основни горелки в положение OFF и оставете грила да се охлади
- След като решетката се охлади, използвайте Char-Broil Cool-Clean Четка, за да отстраните останалите остатъци и да изхвърлите пепелта
- За да получите изключително лъскави резултати, използвайте Char-Broil Grate Cleaner като последна стъпка. Напръскайте обилно върху решетката, оставете да подейства 10 минути и избършете с мокра кърпа или четка.

ТЕХНИЧЕСКИ ДАННИ
ЧАР-БРОЙЛ, ПОО

Наименование на барбекюто	Барбекю на газ / Грил на газ		
Обща номинална топлинна мощност	9.67 kW (704 г/ч)		9.67 kW (704 г/ч)
Газ Клас	I3+(28-30/37)	I3B/P(30)	I3B/P(50)
Модел Номер	468972023		468782023
Тип на Газта	Бутан	Пропан	Бутан, Пропан или техни смеси
Налягане на газа	28-30 mbar	37 mbar	30 mbar
Размер на инжектора (диам. в мм)	Барбекю: 0,86 x 2 бр.		Барбекю: 0,75 x 2 бр.
изгарящ Горелка Размер на инжектора (диам. в мм)	0,91 x 1 pcs		0,81 x 1 pcs
Дестинация (Държави)	GB, FR, BE, ES, IT, PT, CZ, SK, CH, CY, GR, IE, LT, LU, LV, SI	DK, NO, NL, SE, FI, IS, CZ, IT, SK, BG, CY, EE, HR, HU, LT, LU, LV, MT, RO, SI, TR	AT, DE, CH, LU, SK

1.5 VDC Батерия

Неръждаема стомана

Има много различни типове (сплави) от материали, които може да се разглеждат като неръждаема стомана.

Обща черта на тези различни типове е, че те може да корозират (окислят) в зависимост от условията, на които са подложени.

Това се отнася също така за вашето ново барбекю.

За да може вашето барбекю да запази своя вид и функционалност за много години, моля следвайте съветите по-долу.

- 1) Ако барбекюто се намокри или е влажно, избършете го със сух парцал за да се избегне повърхностна корозия.
- 2) Неръждаемата стомана може да ръждяса при определени условия. Това може да се дължи от условия в околната среда като наличието на хлорин или солена вода, или от неправилни почистващи средства като тел или стоманена вата. Тя може, също така, да се обезцвети поради топлината, химикали или натрупване на мазнина.
- 3) За да поддържате висококачествения вид на вашето барбекю, измийте с мек почистващ препарат и топла сапунена вода, и избършете с мека тъкан след всяка употреба. Остатъци от мазнина може да налагат използването на абразивен пластмасов почистващ тампон. Да се използва само в една посока за да не се нарани повърхността. Да не се използва абразивен тампон на места с графики.
- 4) Смазвайте вътрешните части на барбекюто и на скарите с олио.

Моля отбележете:

За да се избегне надраскване на повърхността и по този начин да стане основата за ръжда, никога не използвайте стоманена вата или нещо подобно когато почиствате неръждаема стомана.

При почистване, търкайте в посоката, в която неръждаемата стомана е изцапана – „в посоката на влакната“.

Почистването с абразиви може да предизвика издрасквания.

Съхраняването на барбекюто в близост до морски бряг, плувен басейн или спа, може да предизвика неговото корозиране (окисяване).

Покривайте барбекюто за да го предпазите от ръжда.

MONTAŽER / MONTAŽER:

Ta priročnik pustite potrošniku.

POTROŠNIK:

Ta priročnik shranite za poznejšo uporabo.

Vprašanja

Če imate med montažo ali uporabo te naprave vprašanja, se obrnite na lokalnega prodajalca.



Če zavohate plin:

1. Zaprite plin iz naprave.
2. Pogasiti morebitni odprti ogenj.
3. Odprite pokrov.
4. Če se vonj nadaljuje, se ločite od naprave in takoj pokličite dobavitelja plina ali gasilce.



1. Ne shranjujte in ne uporabljajte bencina ali drugih vnetljivih tekočin v bližini te ali katere koli druge naprave.
2. Plinske jeklenke, ki ni priključena za uporabo, ne smete hraniti v bližini te ali katere koli druge naprave.



- Before Preden začnete sestavljati in kuhati, preberite in upoštevajte vse varnostne izjave, navodila za montažo ter navodila za uporabo in nego.
- Nekateri deli imajo lahko ostre robove. Priporočljivo je nositi zaščitne rokavice.

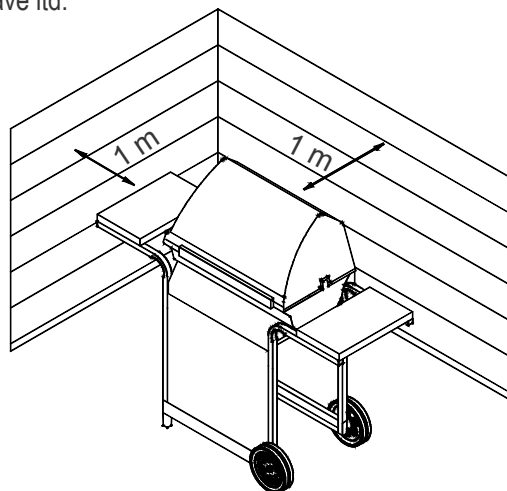
Masíte požare

- Požar masti z zapiranjem pokrova ni mogoč. Žar je zaradi varnostnih razlogov dobro prezračen.
- Ne uporabljajte vode za kurjenje maščob, saj lahko pride do telesnih poškodb. Če se pojavi nenehen požar maščobe, izklopite gumbe in plinsko jeklenko.
- Če naprave niste redno čistili, lahko pride do požara maščobe, ki lahko poškoduje izdelek. Med predgrevanjem ali izgorevanjem ostankov hrane bodite pozorni, da zagotovite, da se ogenj ne razvije. Upoštevajte navodila za splošno čiščenje naprave in čiščenje sklopa gorilnika, da preprečite požar maščobe. Najboljši način za preprečevanje požarov maščob je redno čiščenje aparata.
- Bar Ne puščajte žara brez nadzora med predgrevanjem ali izgorevanjem ostankov hrane na HI. Če žara niso redno čistili, lahko pride do požara, ki lahko poškoduje izdelek.



Za varno uporabo naprave in za preprečitev resnih poškodb:

- **UPORABLJAJTE SAMO ZUNAJ.** Nikoli ne uporabljajte NOTRANJIH. Pred uporabo naprave preberite navodila. Vedno upoštevajte ta navodila.
- Naprave med uporabo ne premikajte.
- Dostopni deli so lahko zelo vroči. Hranite majhne otroke stran. Otrokom ne dovolite, da delujejo ali se igrajo v bližini naprave
- After Po uporabi izklopite dovod plina v jeklenki.
- During Naprave med uporabo ne držite v bližini vnetljivih materialov.
- Ne prekrivajte lukenj na straneh ali na hrbtne strani naprave.
- Regularly Redno preverjajte plamen gorilnika.
- Ne prekrivajte odprtih venturijeve cevi na gorilniku.
- Appli Napravo uporabljajte samo v dobro prezračenem prostoru. NIKOLI ne uporabljajte v zaprtih prostorih, kot so nadstreški za avtomobile, garaže, verande, pokrita terasa ali pod kakršno koli nadzemno konstrukcijo.
- Gra Rešetk NE pokrivate z aluminijasto folijo ali katerim koli drugim materialom. To bo preprečilo prezračevanje gorilnika in ustvarilo potencialno nevarno stanje, ki lahko povzroči materialno škodo in / ali telesne poškodbe.
- Appli Napravo uporabljajte vsaj 1 m od katere koli stene ali površine.
- Ohranite razdaljo 3 m od predmetov, ki se lahko vnamejo, ali virov vžiga, kot so luči na grelnikih vode, električne naprave itd.



- NIKOLI ne poskušajte prižgati gorilnika z zaprtim pokrovom. Nabiranje nevnetljivega plina v zaprti napravi je nevarno.
- Before Preden premaknete jeklenko iz določenega delovnega položaja, vedno izklopite plin na jeklenki in odklopite regulator.
- Appli Naprave nikoli ne uporabljajte s plinsko jeklenko iz določenega pravilnega položaja.
- The Naprave ne spreminjajte. Kakršne koli spremembe so strogo prepovedane. Uporabnik ne sme manipulirati z zapečatenimi deli. Ne razstavljajte injektorjev.

Varnostni nasveti

- Pred odprtjem ventila plinske jeklenke preverite tesnost regulatorja.
- Ko naprava ni v uporabi, izklopite vse krmilne gume in plin.
- Uporabite pripomočke za žar z dolgimi ročaji in palčnike, da se izognete opeklina in brizganju. Pri ravnanju z vročimi sestavnimi deli uporabljajte zaščitne rokavice.
- Največja obremenitev grelne plošče in bočne police je 4,5 kg. Kuhalna posoda najmanj 200 mm in največja premer 260 mm.
- Cup Posodo za maščobo (če je na voljo) je treba vstaviti v aparat in jo po vsaki uporabi izprazniti. Kozarica za maščobo ne odstranjujte, dokler se naprava popolnoma ne ohladi.
- When Pri odpiranju pokrova bodite zelo previdni, saj lahko vroča para uhaja.
- Very Bodite zelo previdni, ko so v bližini otroci, starejši ali hišni ljubljenci.
- Če opazite, da iz naprave na ventil, cev ali regulator kaplja maščoba ali drug vroč material, takoj izklopite dovod plina. Ugotovite vzrok, ga odpravite, nato pred nadaljevanjem očistite in pregledajte ventil, cev in regulator. Izvedite test puščanja.
- V ohišju vozička z aparatom ne shranjujte predmetov ali materialov, ki bi preprečili pretok zraka za zgorevanje na spodnjo stran nadzorne plošče ali posode kurišča. NE
- odklapljajte in ne menjajte posode za plin znotraj 3 m od odprtega ognja ali drugega vira vžiga.

Namestitev valja

Cilindri, nameščeni v napravi, morajo imeti največji premer 340 mm in največjo višino, vključno z regulatorjem, 580 mm. Večje jeklenke namestite samo pod stransko polico ali za žar. Jeklenk, nameščenih na tleh, se ne smejo postavljati pod grelno ploščo.

Zahteve regulatorja

Pri tej napravi je treba uporabiti regulator. Uporabljajte samo regulator plina, priložen žaru. Če regulatorja niste dobili, uporabite samo regulator, certificiran v skladu z EN16129 (pretok največ 1,5 kg / h) in odobren za vašo državo ter plin, naveden v tehničnih podatkih. Uporabiti morate rezervoar za plin, ki je združljiv z vašim regulatorjem.

Zahteve za cevi

Uporabljajte samo odobreno cev, ki je certificirana po ustreznem standardu EN in ne presega 1,5 m dolžine. Za Finsko je dolžina cevi ne sme presegati 1,2 m. Pred vsako uporabo preverite, ali so cevi razrezane ali obrabljene. Znamka prepričajte se, da cev ni prepognjena. Prepričajte se, da ko je povezan cev se ne dotika toplih površin. Pred uporabo naprave zamenjajte poškodovane cevi. Zamenjajte cev, kot zahtevajo nacionalne zahteve.



Pred uporabo je treba žar namestiti na varno raven podstavek.

Navodila za plinsko razsvetljavo - razsvetljava vžigalnika

- Med nagibanjem se ne nagibajte nad žar.

1. Vključite (izklopite) regulacijske ventile plinskega gorilnika
2. Odprite pokrov med osvetlitvijo ali ponovnim prižiganjem.
3. VKLOPITE plin na jeklenki LP.
4. Za vžig pritisnite in zavrtite gumb VŽIGALNI GORILNIK VISOKO. Takoj pritisnite in držite gumb ELEKTRONSKI VŽIGALNIK, dokler gorilnik ne zasveti.
5. Če se vžig NE pojavi v 5 sekundah, obrnite gorilnik izklopite, počakajte 5 minut in ponovite postopek osvetlitve.
6. Če želite vžgati preostale gorilnike, najprej zavrtite gumb v položaj HIGH, začenši z gorilniki, ki so najbližje gorilniku za vžig.

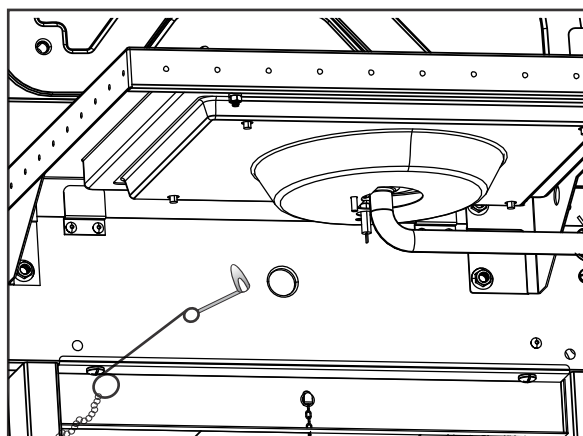
	OPOZORILO	
Izklopite krmilnike in plinsko jeklenko, ko jih ne uporabljate. Pazite, da se priključena cev ne dotika tople površine.		

	POZOR	
Če se vžig NE pojavi v 5 sekundah, izklopite krmilnike gorilnika, počakajte 5 minut in ponovite postopek osvetlitve. Če se gorilnik ne vžge z odprtim ventilom, bo plin še naprej tekel iz gorilnika in bi se lahko nesrečno vžgal s tveganjem za poškodbe.		

Osvetlitev z vžigalico

- Med nagibanjem se ne nagibajte nad žar.

1. Vključite (izklopite) regulacijske ventile plinskega gorilnika.
2. Med osvetljevanjem ali ponovnim prižiganjem odprite pokrov.
3. VKLOPITE plin na jeklenki LP.
4. Vstavite vžigalico v nosilec vžigalic (visi na stranski plošči žara). Lahka tekma; nato gorilnik, tako da vstavite vžigalico skozi luknjo za vžigalico na strani žara. Takoj potisnite in zavrtite gumb gorilnika v VISOK položaj. Prepričajte se, da lučke gorilnika in ostanejo prižgane.
5. Sosednje gorilnike prižgite zaporedoma s potiskanjem gumbov in obračanjem v VISOK položaj.



Gorilnik Vžigalnik Razsvetljava

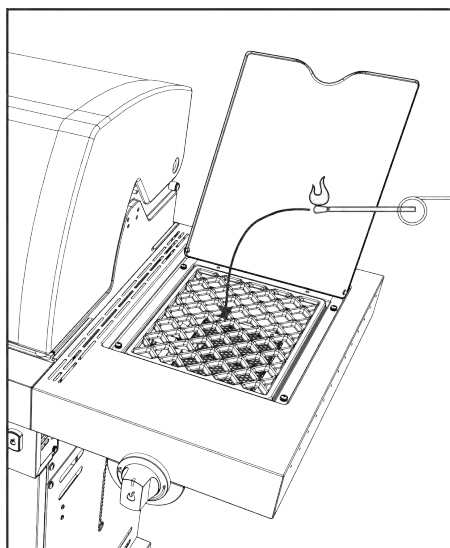
Med nagibanjem se ne nagibajte nad žar.

1. Obrnite ventile za plinski gorilnik v položaj OFF.
2. Med osvetljevanjem ali ponovnim prižiganjem odprite pokrov.
3. Vključite plin v jeklenki LP.
4. Obrnite gumb Gorilnik v položaj HIGH, pritisnite in držite gumb ELECTRONIC IGNITOR.
5. Če naprava Gorilnik NE zasveti v 5 sekundah, gumb obrnite v položaj OFF, počakajte 5 minut, nato ponovite postopek osvetlitve.

Gorilnik Tekma Razsvetljava

Med nagibanjem se ne nagibajte nad žar.

1. Obrnite ventile za plinski gorilnik v položaj OFF.
2. Med osvetljevanjem ali ponovnim prižiganjem odprite pokrov.
3. Vključite plin v jeklenki LP.
4. Prižgano vžigalico postavite blizu gorilnika. Takoj obrnite gumb Gorilnik v položaj HIGH. Prepričajte se, da gorilnik sveti in sveti.



ČE NAPRAVA NE PRIPOMOČE

- Prepričajte se, da je na jeklenki vklopljen plin.
- Prepričajte se, da je v jeklenki plin.
- Ali vžigalnik povzroča iskren hrup?
• Prepričajte se, da je na jeklenki vklopljen plin.
• Prepričajte se, da je v jeklenki plin.
• Ali vžigalnik povzroča iskren hrup?
- Če so žice v redu, preverite razpokano ali zlomljeno elektrodo, če je potrebno, jo zamenjajte.
- Če so žice ali elektrode prekrivane z ostanki kuhanja, po potrebi očistite konico elektrode z alkoholnim robčkom.
- Po potrebi zamenjajte žice.
- Če ni zvoka, preverite baterijo.
- Prepričajte se, da je baterija pravilno nameščena.
- Preverite, če je na modulu in stikalu zrahljana povezava.
- Če vžigalnik še naprej ne deluje, uporabite match.

	POZOR	
PAJKA OPOZORILO!		
PAJEK IN SPLETI ZNOTRAJ		
<p>Če se žar težko prižge ali je plamen šibek, preverite in očistite venturije in gorilnike.</p> <p>Znano je, da pajki ali majhne žuželke ustvarjajo težave z "povratnim povratkom" z gradnjo gnezd in polaganjem jajčec v venturijeve cevi ali gorilnik, ki ovira pretok plina. Rezervni plin se lahko vname za nadzorno ploščo. Ta povratni udarec lahko poškoduje žar in povzroči poškodbe. Da bi preprečili bliskavice in zagotovili dobro delovanje, je treba gorilnik in cev venturijeve cevi odstraniti in očistiti, kadar je žar dlje časa v prostem teku..</p>		

•Med nagibanjem se ne nagibajte nad žar.

1. Vključite (izklopite) regulacijske ventile plinskega gorilnika.
2. Med osvetljevanjem ali ponovnim prižiganjem odprite pokrov.
3. VKLOPITE plin na jeklenki LP.
4. Obrnite gumb za grelno ploščo v VISOK položaj, pritisnite in držite gumb ELEKTRONSKI VŽIGALNIK.
5. Če se grelna plošča NE zasveti v 5 sekundah, gumb obrnite v položaj (izklop), počakajte 5 minut, nato ponovite postopek osvetlitve.

Čiščenje sklopa gorilnika

Upoštevajte ta navodila za čiščenje in / ali zamenjavo delov sklopa gorilnika ali če imate težave z vžigom žara.

1. Izklopite plin na krmilnih gumbih in jeklenki LP.
 2. Odstranite rešetke za kuhanje in ogrevajte šotore.
 3. Odstranite prenosne cevi in gorilnike za pritrditev strojne opreme.
 4. Odklopite elektrodo iz gorilnika.
- OPOMBA: Način odstranjevanja / odstranitve je odvisen od konfiguracije gorilnika. Oglejte si različne konfiguracije na spodnjih slikah.
5. Vsak gorilnik previdno dvignite navzgor in stran od odprtih ventilov. Predlagamo tri načine čiščenja cevi gorilnika. Uporabite eno najlažje za vas.

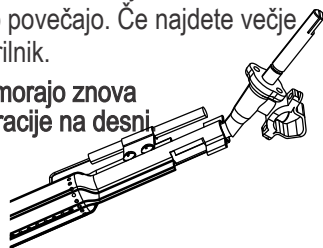
A, Trdo žico (lahak obešalnik za plašče dobro deluje) upognite v majhen kavelj. Kavelj večkrat potegnite skozi vsako cev gorilnika.



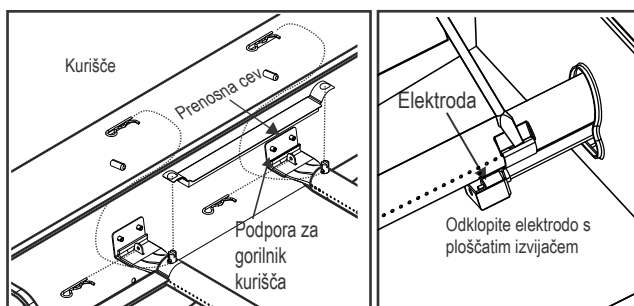
- B. Uporabite ozko krtačo za steklenice s prilagodljivim ročajem (ne uporabljajte medeninaste žične krtače). Krtačo večkrat potegnite skozi vsako cev gorilnika.
- C. Nosite zaščito za oči: Z zračno cevjo potisnite zrak v cev gorilnika in ven skozi odprtine gorilnika. Preverite vsako odprtino in se prepričajte, da zrak izhaja iz vsake luknje.
6. Žično krtačite celotno zunanjo površino gorilnika, da odstranite ostanke hrane in umazanijo.
7. Zamašena vrata očistite s trdo žico, kot je odprta sponka za papir.
8. Preverite gorilnik za poškodbe zaradi običajne obrabe in korozije, nekatere luknje se lahko povečajo. Če najdete večje razpoke ali luknje, zamenjajte gorilnik.

ZELO POMEMBNO: Cevi gorilnika morajo znova pritrditi odprte ventile. Glejte ilustracije na desni.

Pravilno vklop gorilnika in ventila



9. Elektrodo pritrdite na gorilnik.
10. Previdno zamenjajte gorilnike.
11. Pritrdite gorilnike na nosilce na kurišču.
12. Prestavite prenosne cevi in jih pritrdite na gorilnike. Zamenjajte grelne šotore in rešetke za kuhanje.
13. Pred ponovnim kuhanjem na žaru izvedite "Test puščanja" in "Preverjanje plamena gorilnika".



- Očistite rešetke za kuhanje.

Shranjujte na suhem. Shranjevanje naprave

- Ko je plinska jeklenka priključena na aparat, jo hranite na prostem v dobro prezračenem prostoru in izven dosega otrok.
- Napravo pokrijte, če jo hranite na prostem.
- Napravo shranjujte v zaprtih prostorih SAMO, če je plinska jeklenka izključena in odklopljena, odstranjena iz naprave in shranjena na prostem.
- Pri odstranjevanju naprave iz skladišča preverite, ali gorilnik ne ovira.

Splošno čiščenje naprav

Potrebno je redno čiščenje tega žara, saj lahko pride do požara na žaru, ko se na dnu žara naberejo maščobe in ostanke hrane. Po vsaki uporabi odstranite preostale delce hrane s kuhlne rešetke in iz notranjosti žara s čopičem Char-Broil Cool-Clean. Potem na rešetko lahko velikodušno nabrizgate čistilo za rešetke Char-Broil, pustite delovati 10 minut in obrišete z mokro krpo ali krtačo.

Čiščenje žara opravite po tem, ko se žar ohladi.

- Nabiranja maščob in dima v rjavi ali črni barvi ne zamenjajte z barvo. Notranjost plinskih žarov ni tovarniško barvana (in je nikoli ne bi smela barvati). Na notranjo stran pokrova in dna nanesite močno raztopino detergenta in vode ali uporabite čistilo za naprave s čistilno krtačo. Izperite in pustite, da se popolnoma posuši na zraku. Na pobarvane površine ne nanašajte kavstičnega čistila za aparate / pečice.
- Plastični deli: Operite s toplo milnico in obrišite do suhega. Na plastičnih delih ne uporabljajte abrazivnih čistil, razmaščevalcev ali koncentriranih čistil za aparate. Lahko pride do poškodb in okvar delov.
- Porcelanske površine: Zaradi stekla podobne sestave lahko večino ostankov obrišemo z raztopino sode bikarbone / vode, čistilom za steklo ali čistilom za rešetke Char-Broil. Za trdovratne madeže uporabite neabrazivni čistilni prašek.
- Pobarvane površine: Operite z blagim detergentom ali čistilom in toplo milnico ali čistilom za žar Char-Broil. Suho obrišite z mehko neabrazivna krpa.
- Kuhalne površine: Prepričajte se, da na kuhlne površinah ne ostanejo ohlapne ščetine. Medtem ko je žar vroč, priporočamo čiščenje kuhlne površine samo z nadomestno glavo Char-Broil Hot-Clean (na čopiču Char-Broil Cool-Clean Premium).

◆◆ ČISTO Nastavitev

Vaš žar je opremljen z inovativno nastavitvijo CLEAN, ki to omogoča čiščenje žara brez težav. Visoka toplota, ki nastane iz gorilnikov, bo vse preostale ostanke hrane spremenila v pepel.

Sledite tem korakom:

- Ko končate z žarom, nastavite vse glavne gorilnike na ČISTO in ostanite približno 12 - 15 minut
- Po približno 12 - 15 minutah nastavite vse glavne gorilnike na izklop in pustite, da se žar ohladi
- Ko se žar ohladi, s čopičem Char-Broil Cool-Clean odstranite morebitne ostanke in odstranite pepel
- Če želite dobiti izjemno bleščeče rezultate, kot zadnji korak uporabite čistilo za rešetke Char-Broil. Obilno razpršite po rešetki, pustite delovati 10 minut in obrišete z mokro krpo ali krtačo.

TEHNIČNI PODATKI
CHAR-BROIL, GmbH

Ime naprave	Plinski žar / plinski žar		
Skupni nominalni vhod toplote	9.67 kW (704 g/h)		9.67 kW (704 g/h)
Kategorija plina	I3+(28-30/37)	I3B/P(30)	I3B/P(50)
Model št.	468972023		468782023
Vrsta plina	Butan	Propan	Butane, Propan ali njihove mešanice
Tlak plina	28-30 mbar	37 mbar	28-30 mbar
Velikost injektorja (premer mm)	Žar: 0,86 x 2 pcs		Žar: 0,75 x 2 pcs
Gorilnik Velikost injektorja (premer mm)	0,91 x 1 pcs		0,81 x 1 pcs
Ciljne države	GB, FR, BE, ES, IT, PT, CZ, SK, CH, CY, GR, IE, LT, LU, LV, SI	DK, NO, NL, SE, FI, IS, CZ, IT, SK, BG, CY, EE, HR, HU, LT, LU, LV, MT, RO, SI, TR	AT, DE, CH, LU, SK
Električna oskrba	1.5VDC Baterija		

Nerjaveče jeklo

Obstaja veliko različnih vrst (zlitin) materialov, ki veljajo za nerjaveče jeklo.

Skupna lastnost teh različnih vrst je, da lahko korodirajo (oksidirajo), odvisno od pogojev, ki so jim izpostavljeni.

To velja tudi za vaš novi žar.

Če želite zagotoviti, da bo žar ohranil svoj videz in funkcionalnost že vrsto let, upoštevajte spodnji nasvet.





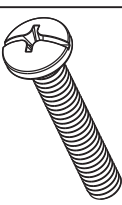
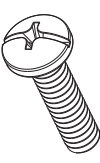





- 1) Če je žar postal moker ali vlažen, ga obrišite s krpo, da preprečite korozijo površine.
- 2) Nerjaveče jeklo lahko pod določenimi pogoji rja. To lahko povzročijo okoljske razmere, kot so klor ali slana voda, ali neustrezna čistilna orodja, kot sta žica ali jeklena volna. Lahko tudi razbarva se zaradi vročine, kemikalij ali kopičenja maščobe.
- 3) Če želite ohraniti videz naprave visoke kakovosti, ga umijte z blagim detergentom in toplo milnico ter po vsaki uporabi obrišite z mehko krpo. Zapečene maščobe lahko zahtevajo uporabo abrazivna plastična čistilna blazinica. Uporabljajte samo v smeri brušenega konca, da se izognete poškodbam. Na površinah z grafiko ne uporabljajte abrazivnih blazinic.
- 4) Notranje dele žara in rešetke namažite s kuhinjskim oljem. Prosimo, upoštevajte: Pri čiščenju nerjavečega jekla nikoli ne uporabljajte jeklene volne ali podobnega, da se izognete praskanju površine in zagotavljanju podlage za rjo. Pri čiščenju delajte v isti smeri, v katero je bilo brušeno nerjaveče jeklo - "z zrnom".

Čiščenje z abrazivi lahko pusti praske.




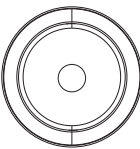
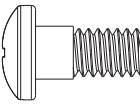
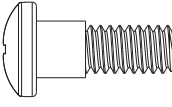
Shranjevanje žara ob obali, bazenu ali zdravilišču bo povzročilo, da bo žar korodiral (oksidiral).

Pokrijte svoj žar za zaščito pred rjo.

HARDWARE LIST

Key	Description	Picture	Qty
A	1/4"-20UNC x 10 Screw		20
B	NO.8-32UNC x 10 Screw		4
C	NO.10-24UNC x 18 Screw		2
D	NO.10-24UNC x 10 Screw		10
E	1/4"-20UNC x 38 Screw		8
F	NO.10-24UNC x20 Screw		1
G	Caster Pin		1
H	1/4" Nut		1
J	Door Back Bush		2
K is not used			
L	Cleaning Tool		1
M	Tool Holder		2

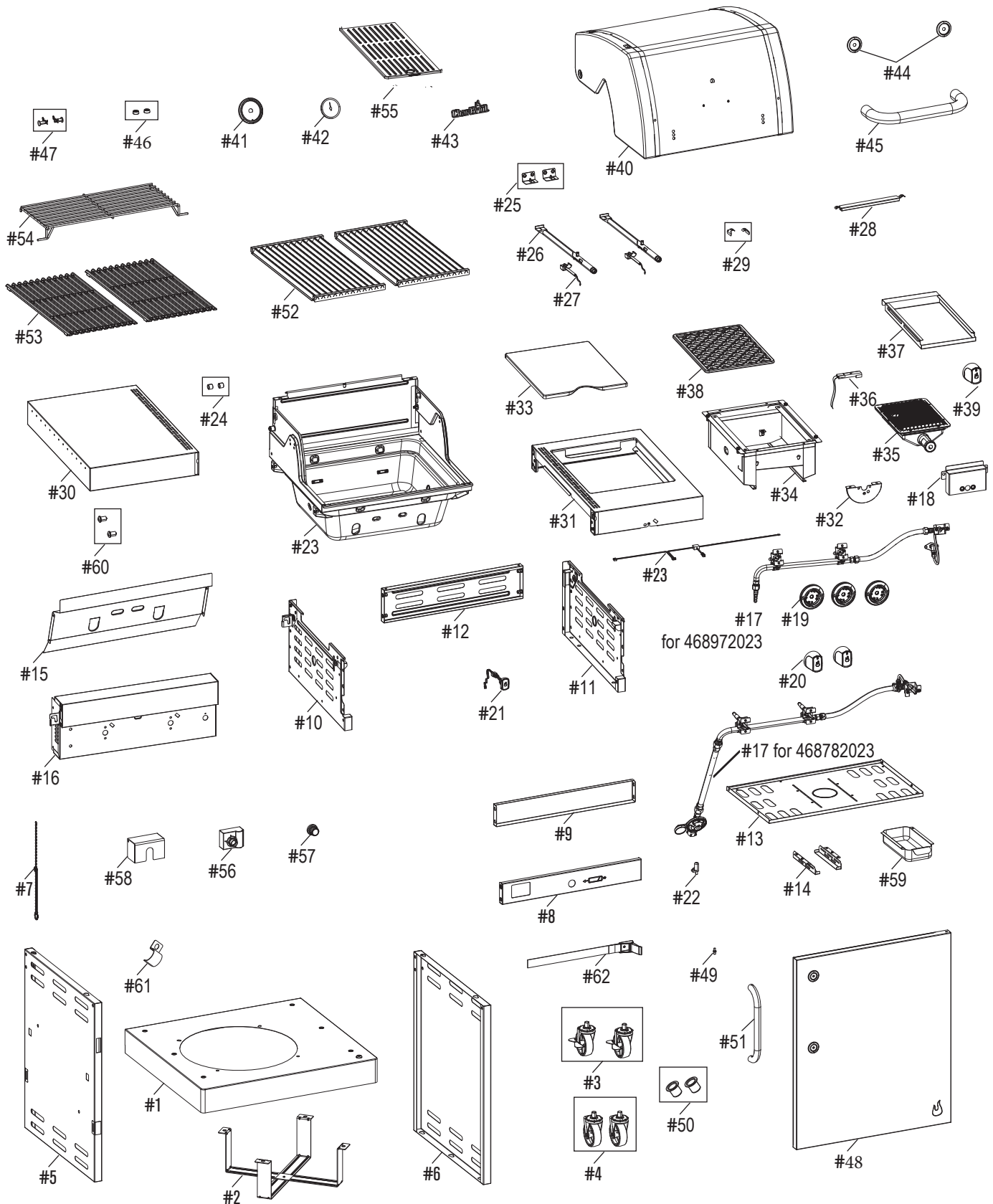
HARDWARE LIST

Key	Description	Picture	Qty
N	NO.5-40 X 10 Screw		2
P	REGULATOR Pin		1
R	NO.10-24UNC Nut		1
S is not used			
T	Bezel_Handle		2
U	1/4" Shoulder Screw-A		2
V	1/4" Shoulder Screw-B		2

REPLACEMENT PARTS LIST FOR 468972023 & 468782023

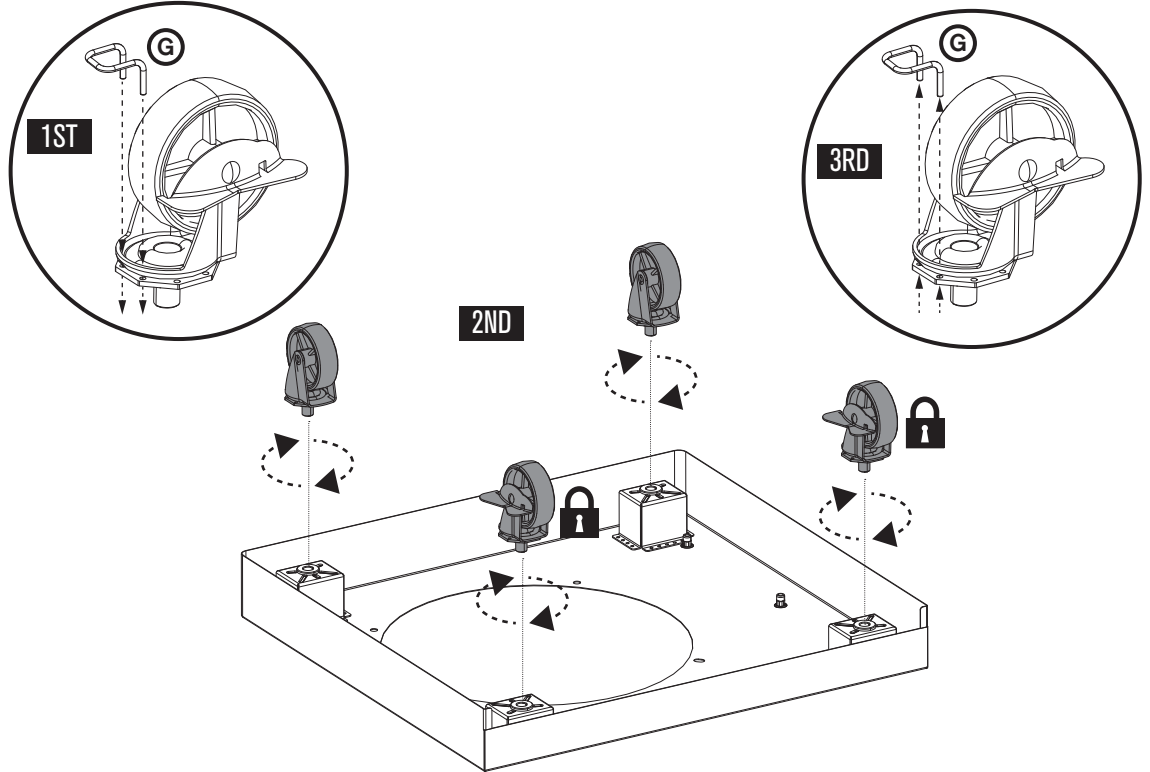
Key	Qty	Description	Key	Qty	Description
1	1	BOTTOM SHELF	36	1	ELECTRODE, F/ SEAR HOT PLATE
2	2	TANK SUPPORT	37	1	GREASE TRAY, F/ SEAR HOT PLATE
3	2	CASTER, LOCKING	38	1	COOKING GRATE, SEAR HOT PLATE
4	2	CASTER, FIXED	39	1	CONTROL KNOB, F/ SEAR HOT PLATE
5	1	LEFT CART PANEL	40	1	TOP LID
6	1	RIGHT CART PANEL	41	1	BEZEL, F/ TEMPERATURE GAUGE
7	1	MATCH HOLDER	42	1	TEMPERATURE GAUGE
8	1	UPPER DOOR BRACE	43	1	LOGO PLATE
9	1	REAR BRACE, F/ CART	44	2	BEZEL, F/ HANDLE
10	1	LEFT SIDE PANEL, F/ FIREBOX	45	1	HANDLE F/ LID
11	1	RIGHT SIDE PANEL, F/ FIREBOX	46	2	RUBBER BUMPER, F/ TOP LID
12	1	REAR PANEL, F/ FIREBOX	47	1	TOP LID HARDWARE
13	1	HEAT SHIELD, FIREBOX	48	1	DOOR, NO HANDLE
14	2	RAIL, F/ GREASE TRAY	49	1	FIXED PIN, F/ DOOR
15	1	HEAT SHIELD, F/ CONTROL PANEL	50	2	DOOR BUSHING, F/ HANDLE
16	1	CONTROL PANEL	51	1	HANDLE, F/ DOOR
17	1	VALVE ASSEMBLY	52	2	COOKING GRATE, INFRARED EMITTER
18	1	HOT PLATE VALVE BRACKET	53	2	COOKING GRATE
19	3	BEZEL F/ CONTROL KNOB	54	1	WARMING RACK
20	2	CONTROL KNOB	55	1	GRIDDLE
21	1	IGNITER SWITCH MODULE	56	1	ELECTRONIC IGNITION MODULE
22	1	SPRING PIN, F/ DOOR	57	1	CAP, F/ EI MODULE
23	1	FIREBOX	58	1	HEAT SHIELD, F/ IGNITION MODULE
24	2	LID STOP	59	1	GREASE TRAY
25	2	BURNER BRACE	60	2	TOOL HOLDER
26	2	MAIN BURNER	61	1	REGULATOR HOSE CLIP
27	2	ELECTRODE SET, F/ MAIN BURNER	62	1	TANK HOLD STRAP
28	1	CARRY OVER TUBE			
29	2	CAP, F/ CARRYOVER PORT	NOT Pictured		
30	1	LEFT SIDE SHELF	...	1	PRODUCT GUIDE, EUROPE
31	1	SEAR HOT PLATE SHELF	...	1	HARDWARE PACK
32	1	FASCIA, F/ HOT PLATE SHELF	...	1	DOOR MAGNET
33	1	LID, F/ SEAR HOT PLATE	...	1	IR CLEANING TOOL
34	1	FIREBOX, F/ SEAR HOT PLATE	...	1	CASTER PIN
35	1	SEAR HOT PLATE BURNER			

REPLACEMENT PARTS DIAGRAM FOR 468972023 & 468782023

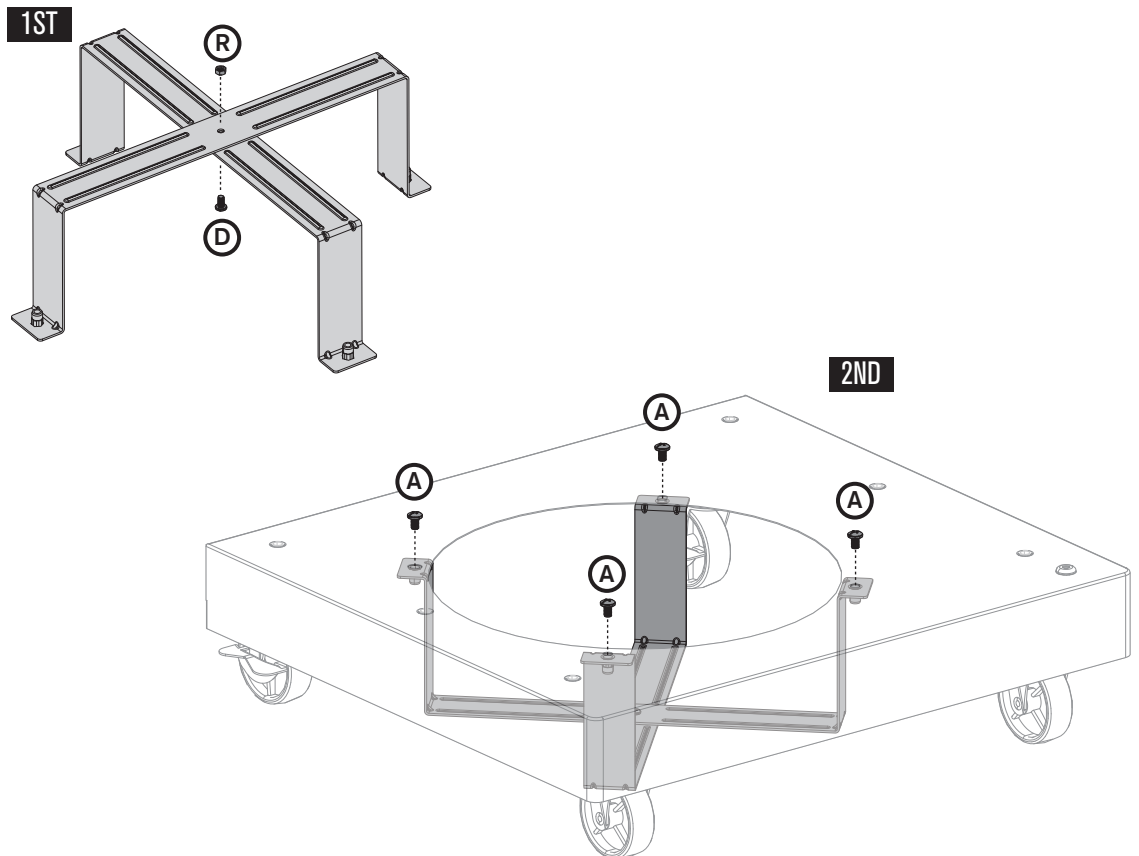


ASSEMBLY

1

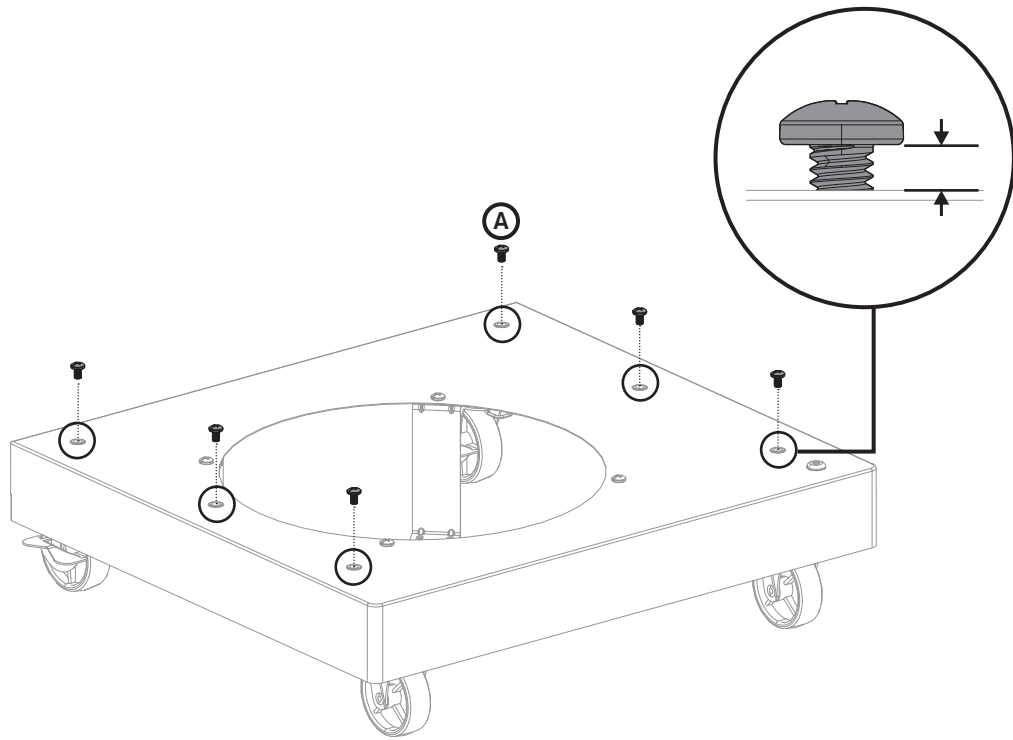


2

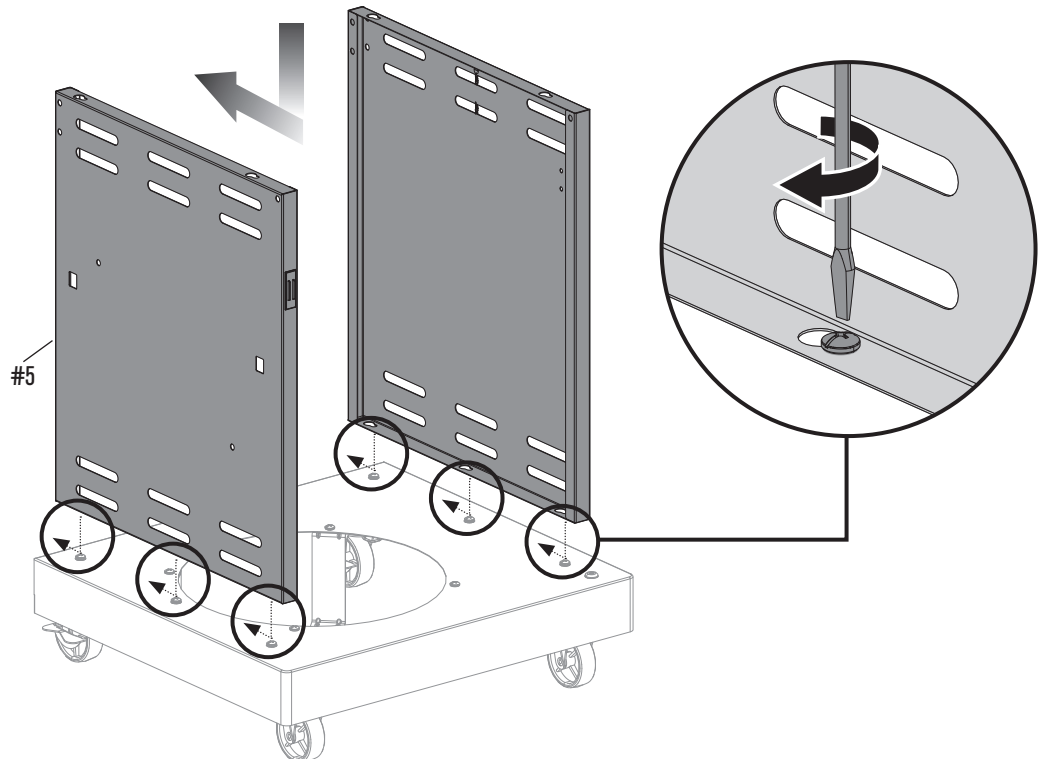


ASSEMBLY

3

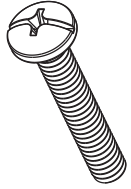


4

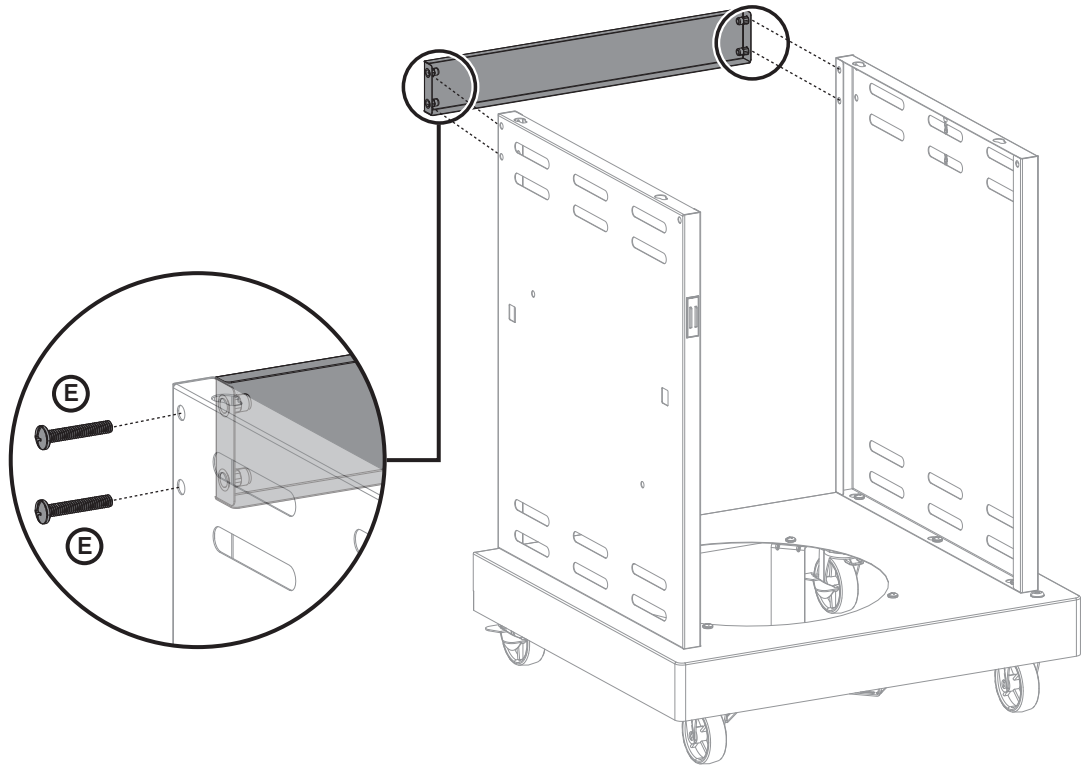


ASSEMBLY

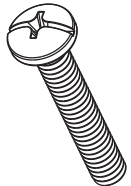
5



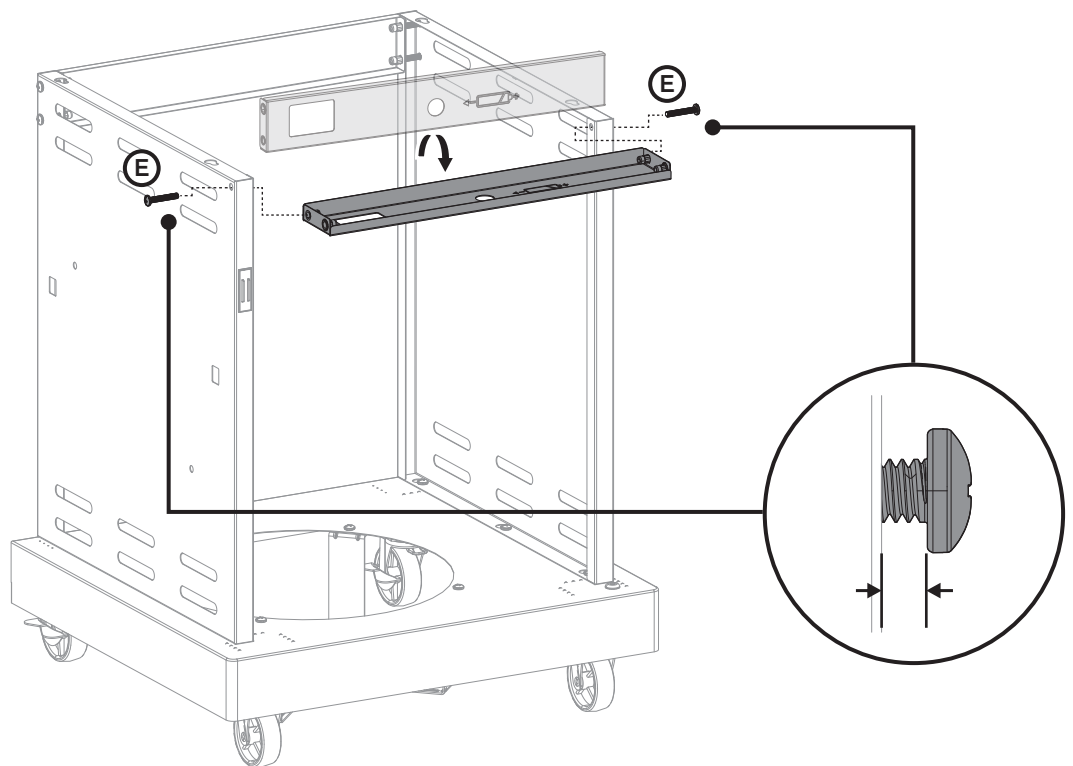
Ex4



6

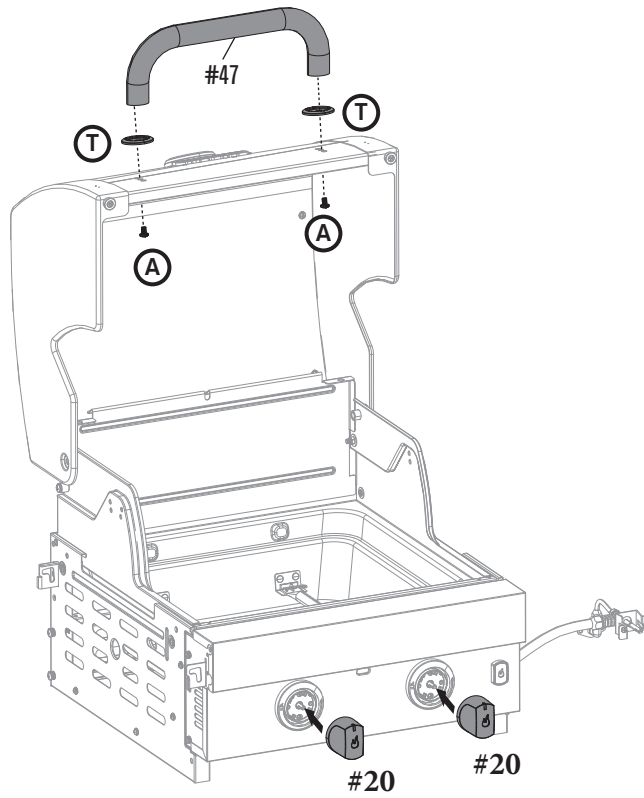
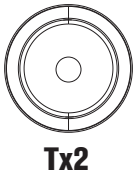


Ex2

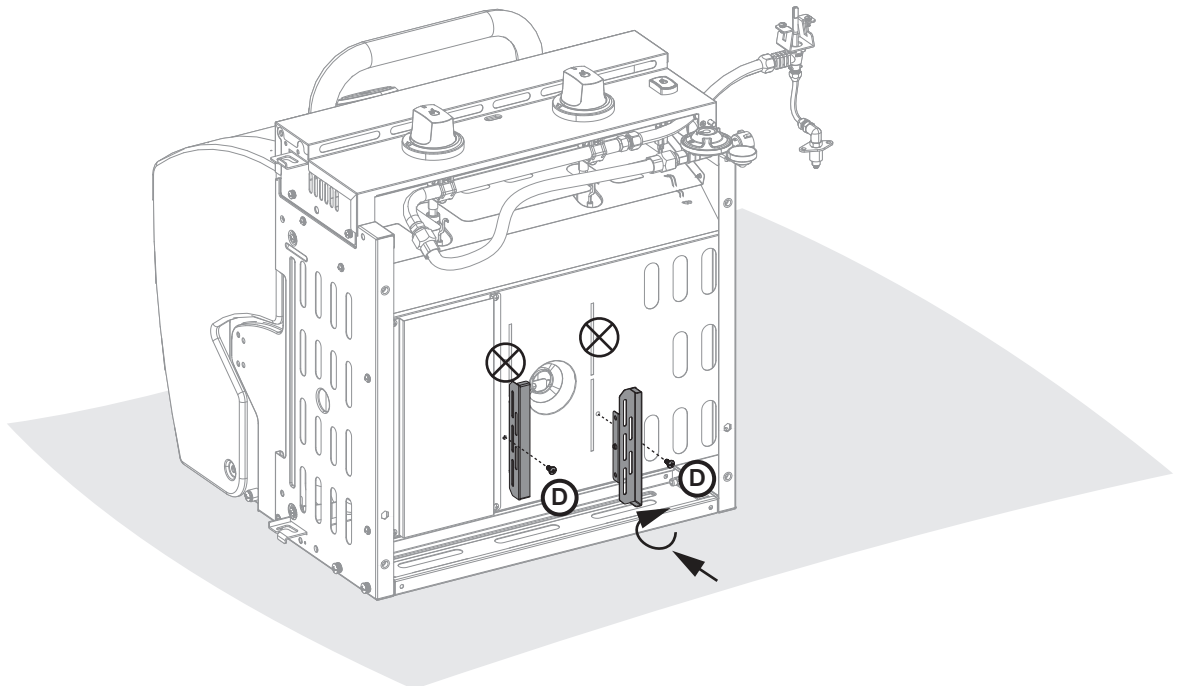


ASSEMBLY

7



8

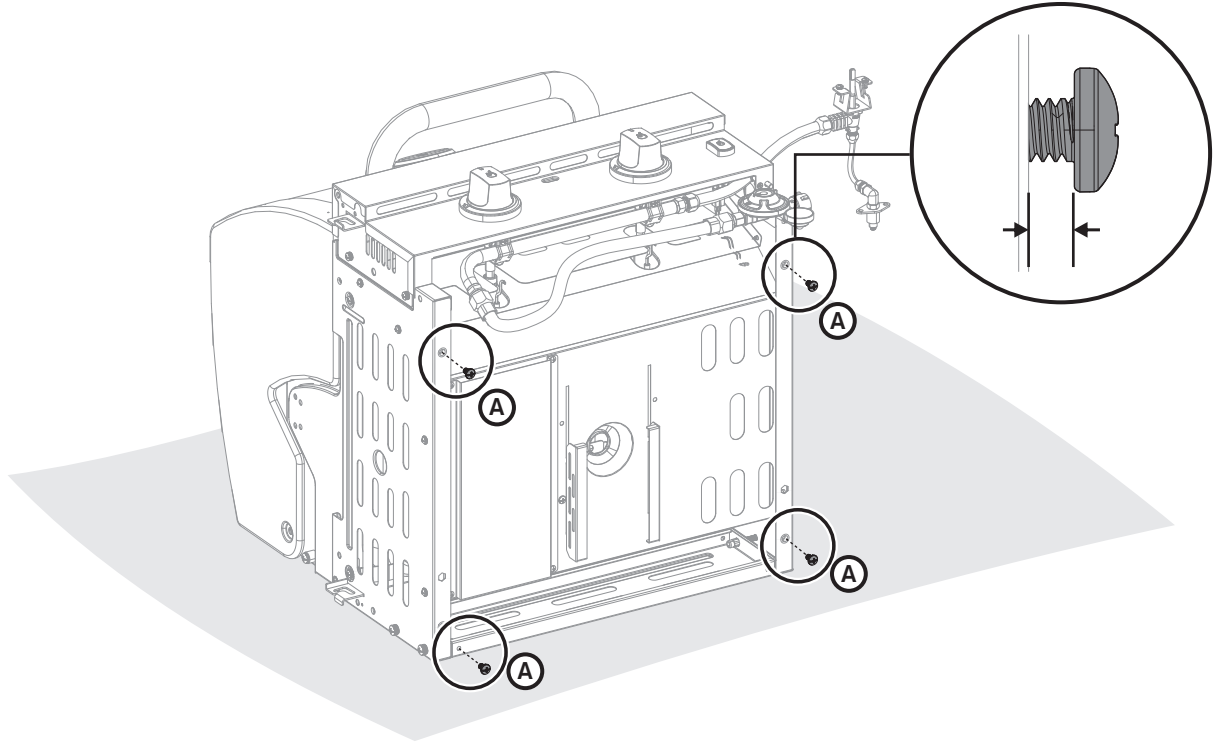


ASSEMBLY

9

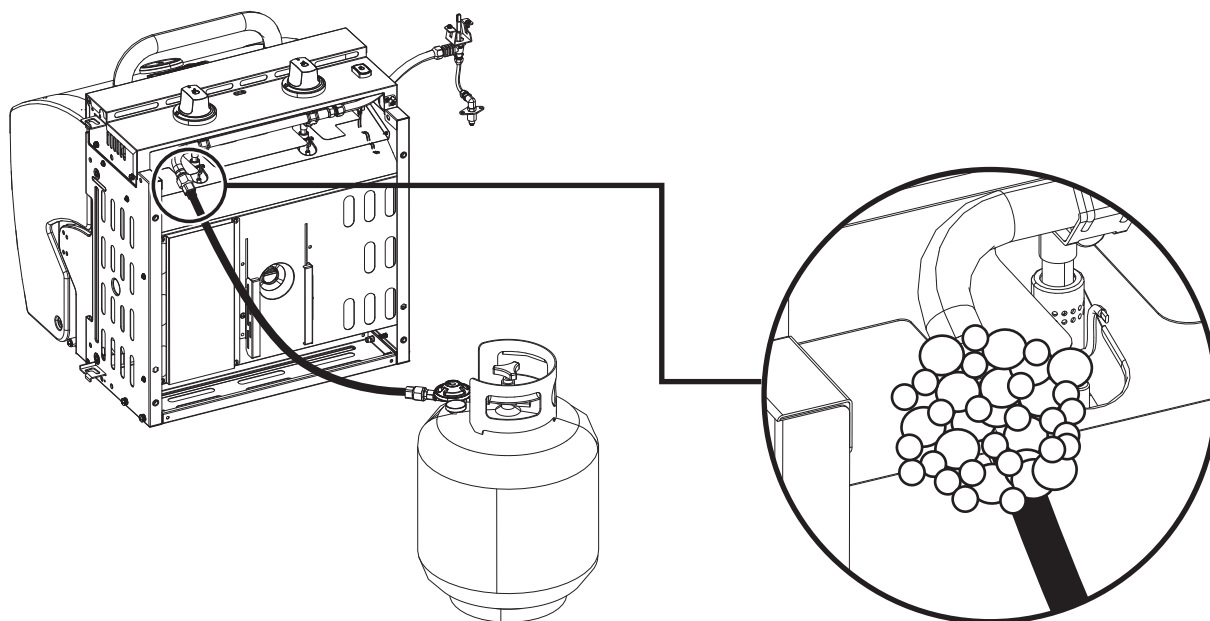
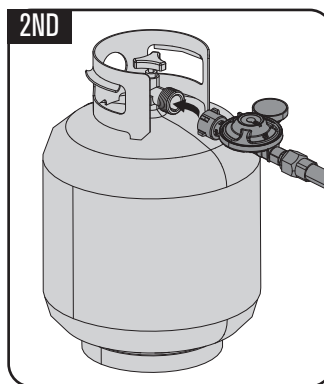
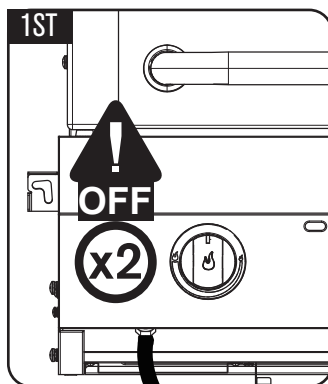
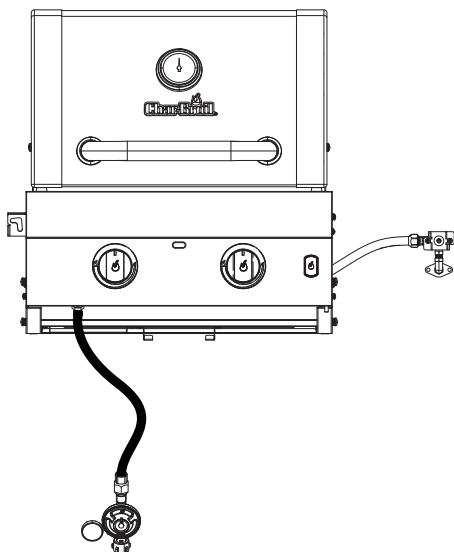


Ax4

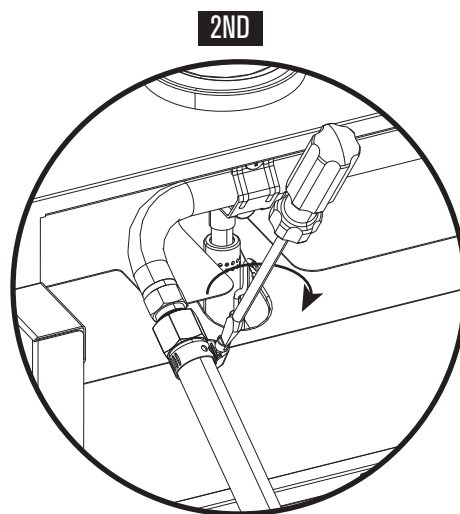
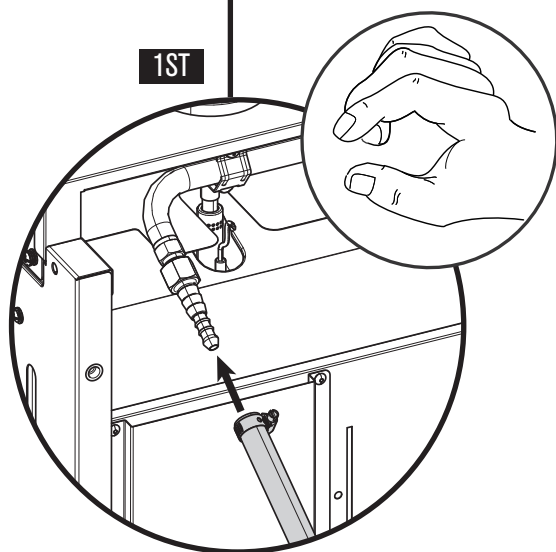
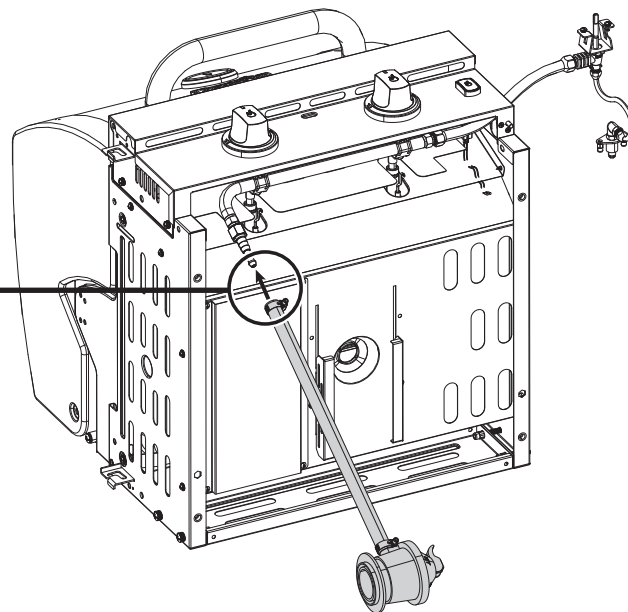
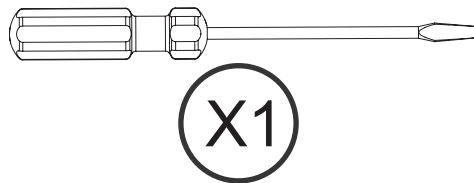
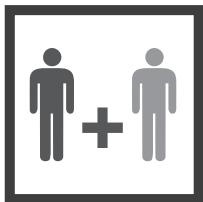


LEAK CHECK FOR 468782023

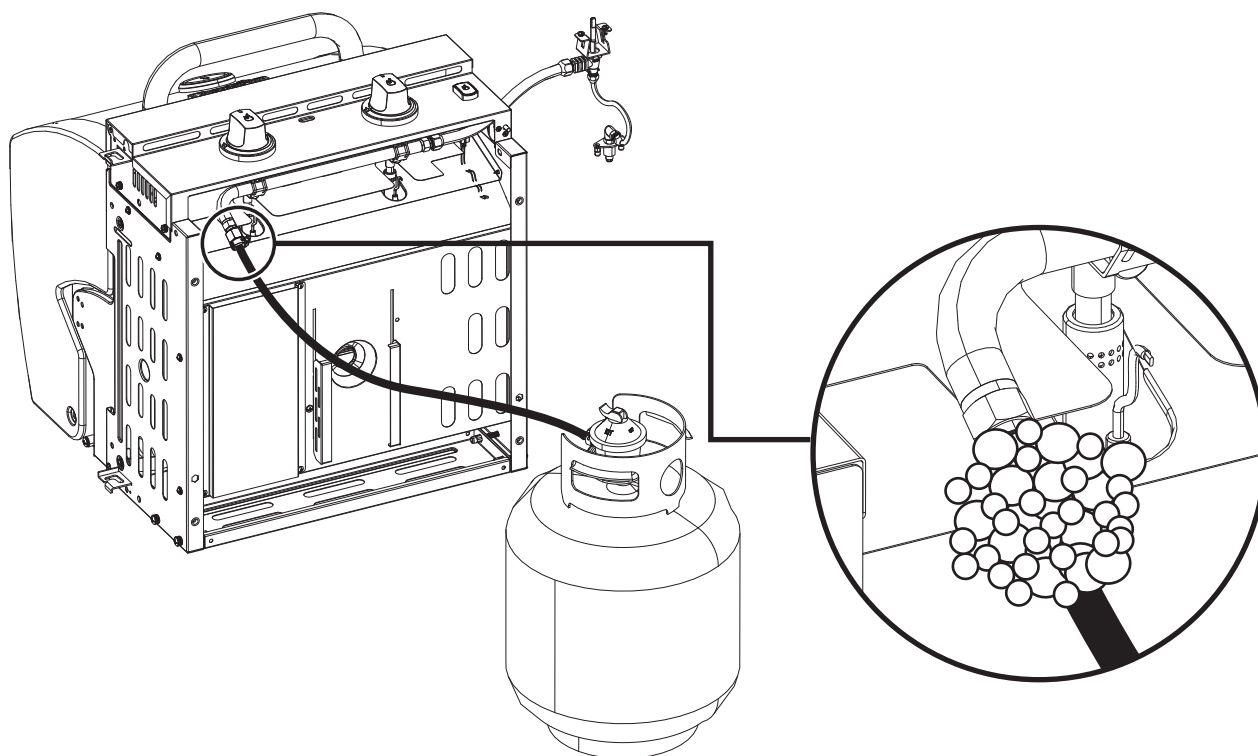
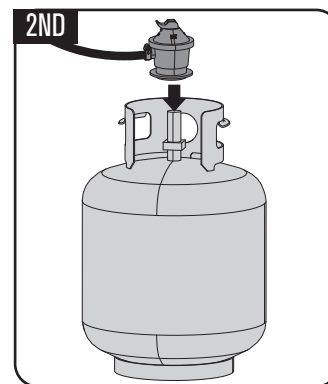
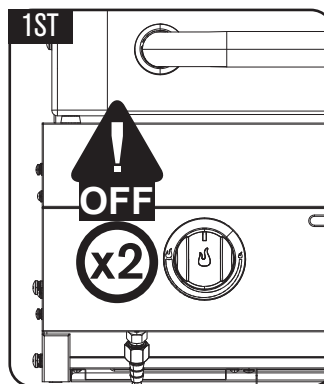
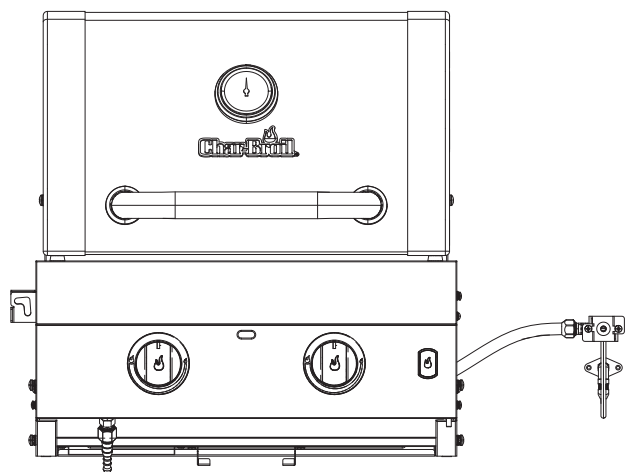
10



LEAK CHECK FOR 468972023

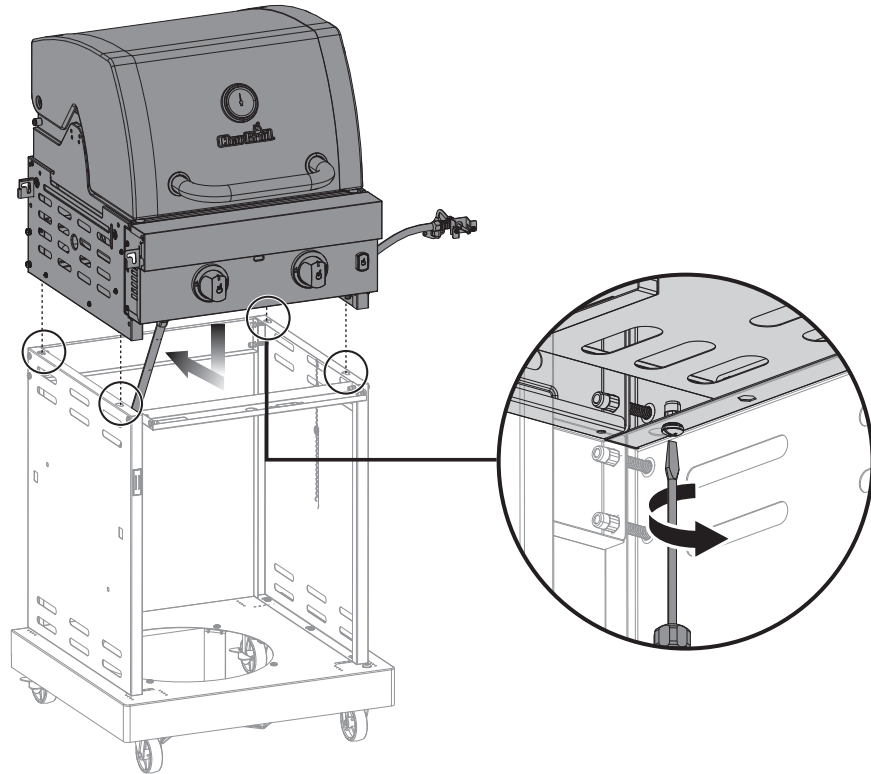


LEAK CHECK FOR 468972023

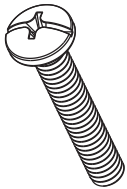


ASSEMBLY

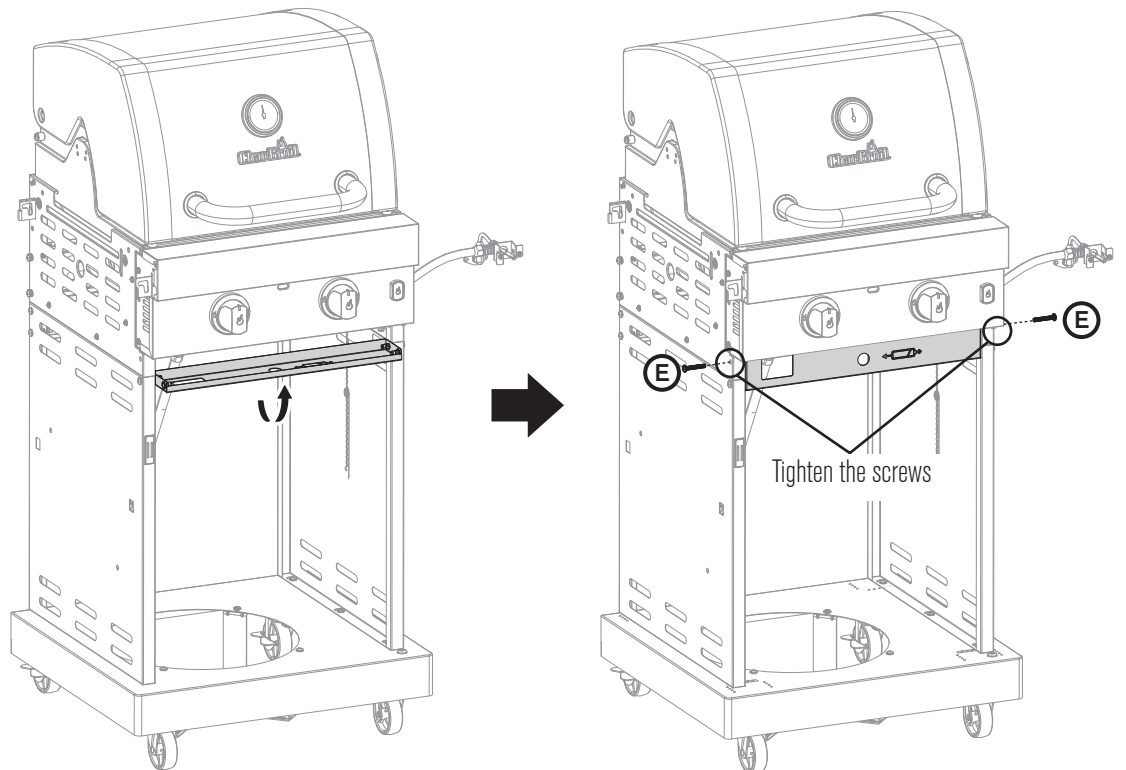
11



12



Ex2



ASSEMBLY

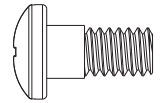
13



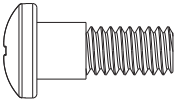
Mx2



Nx2

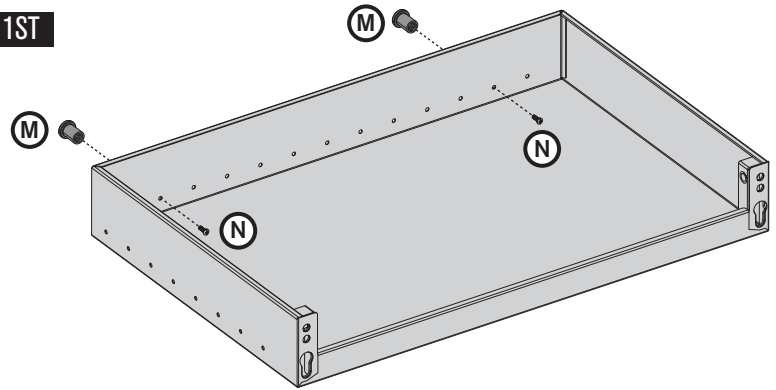


Ux2

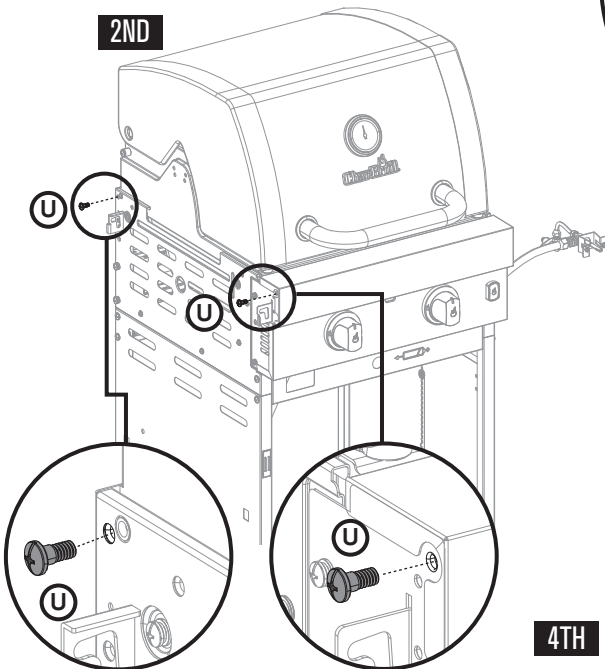


Vx2

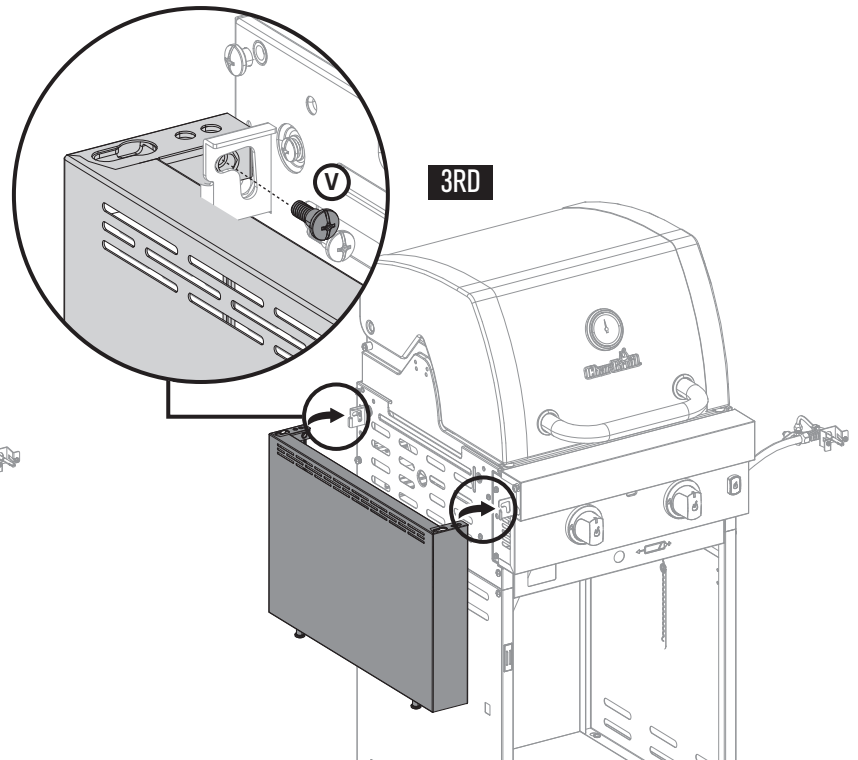
1ST



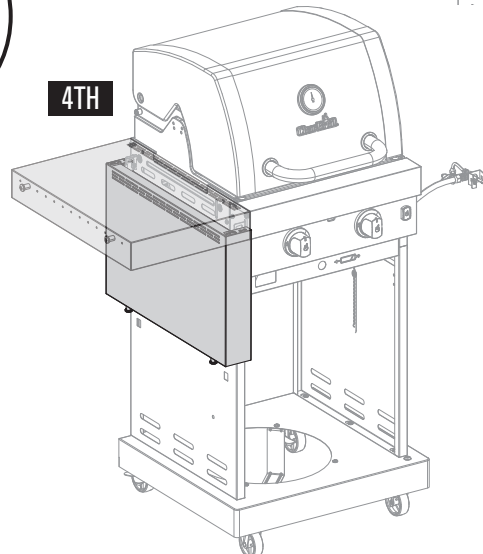
2ND



3RD



4TH

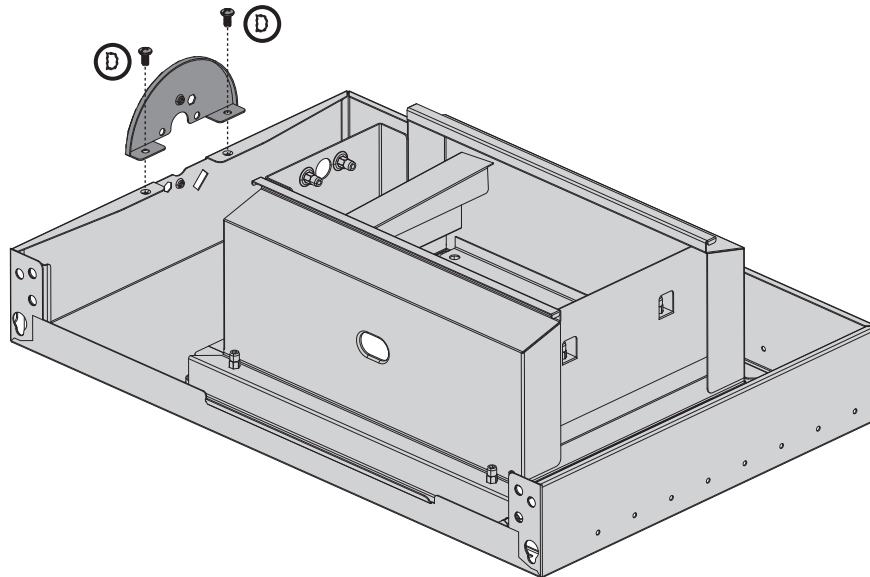


ASSEMBLY

14



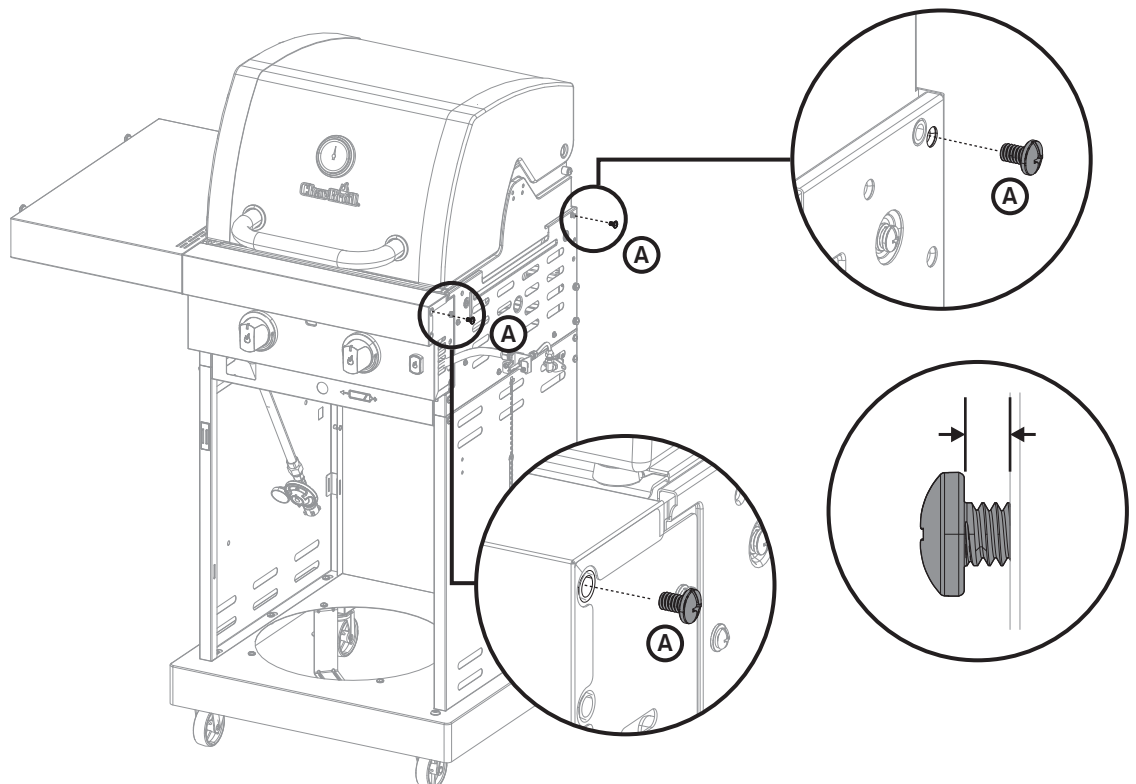
Dx2



15



Ax2

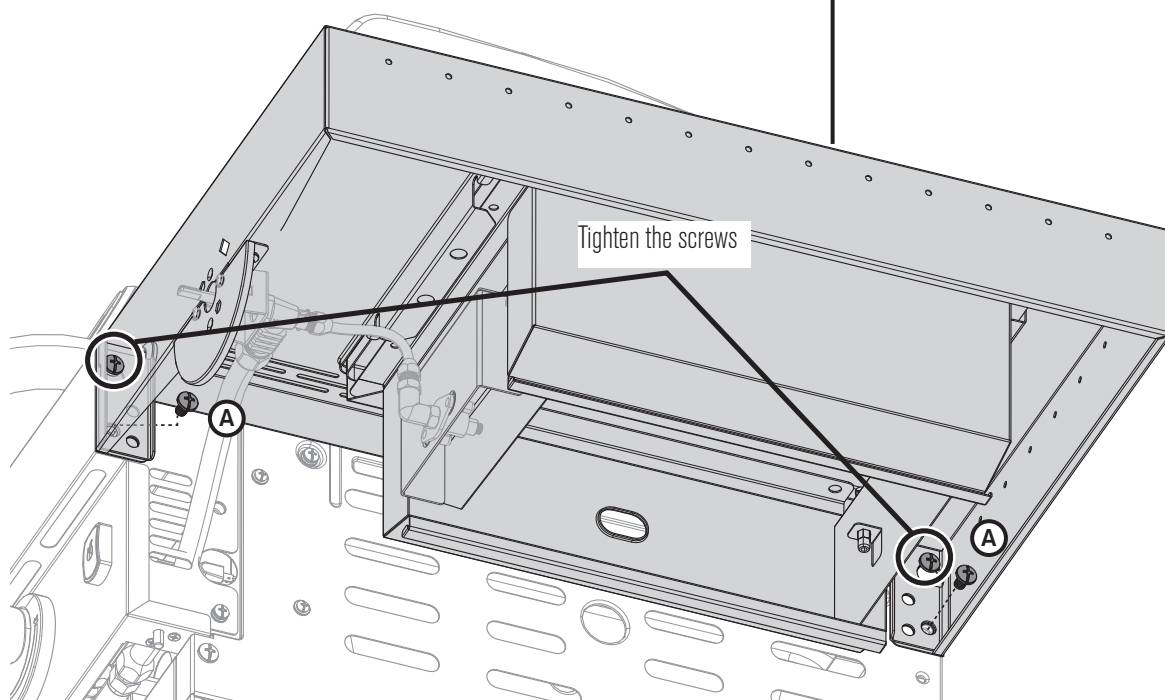
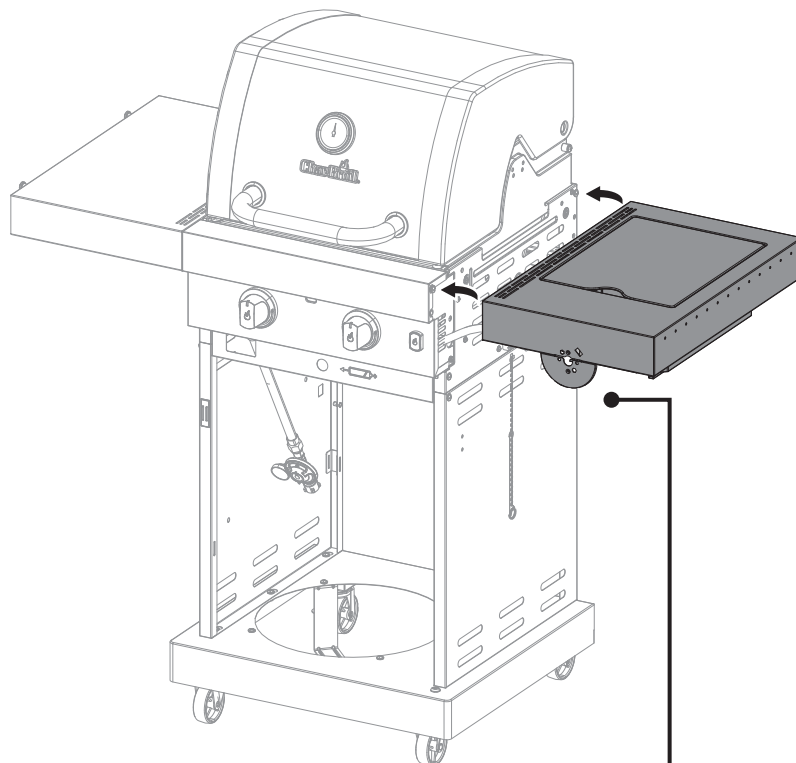


ASSEMBLY

16



Ax2

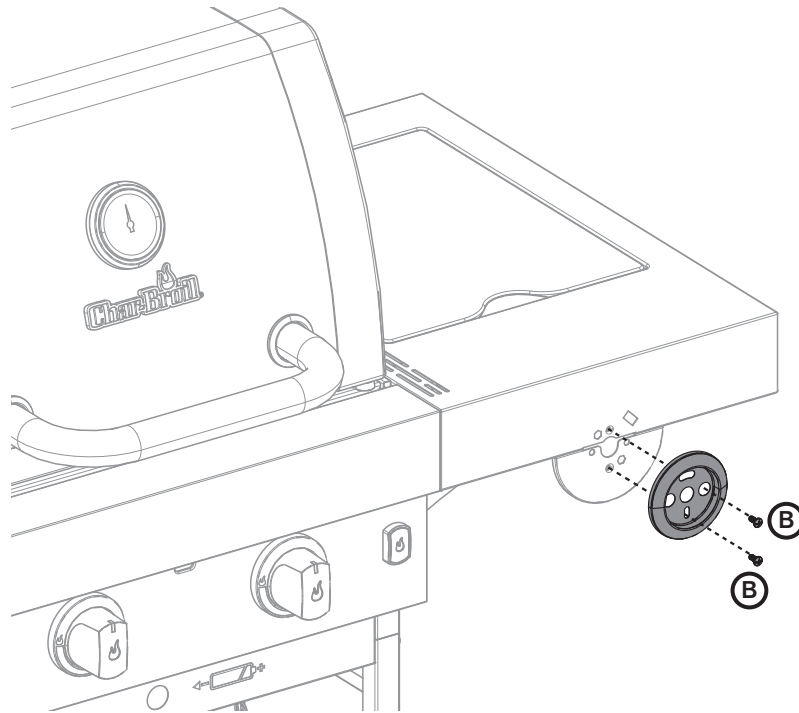


ASSEMBLY

17

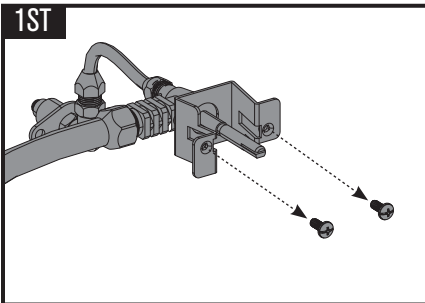


Bx2

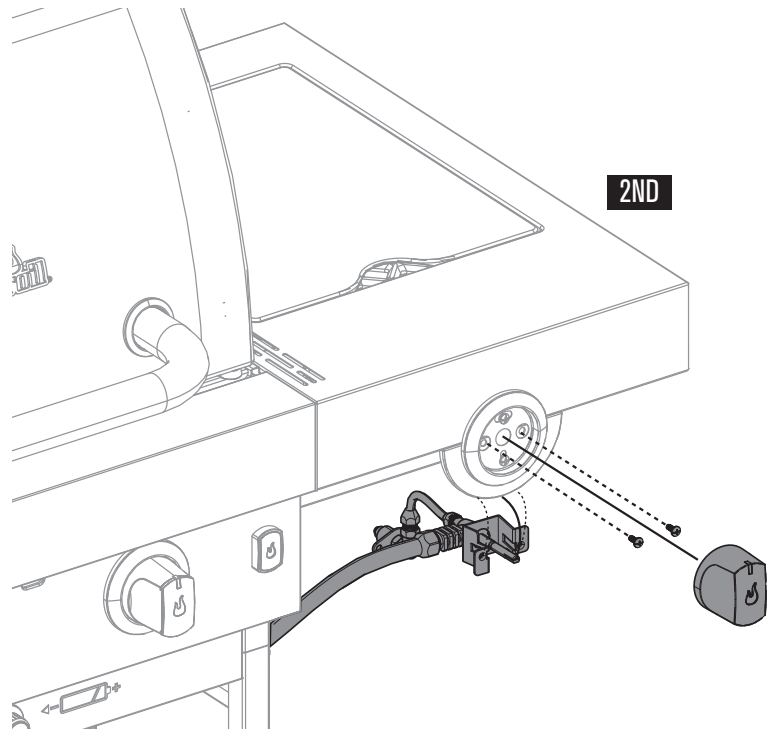


18

1ST



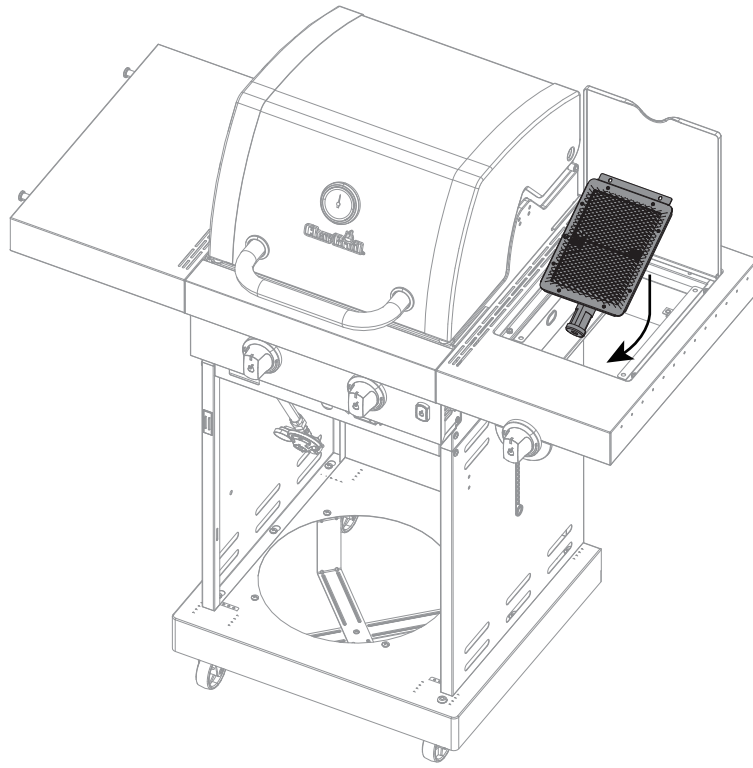
2ND



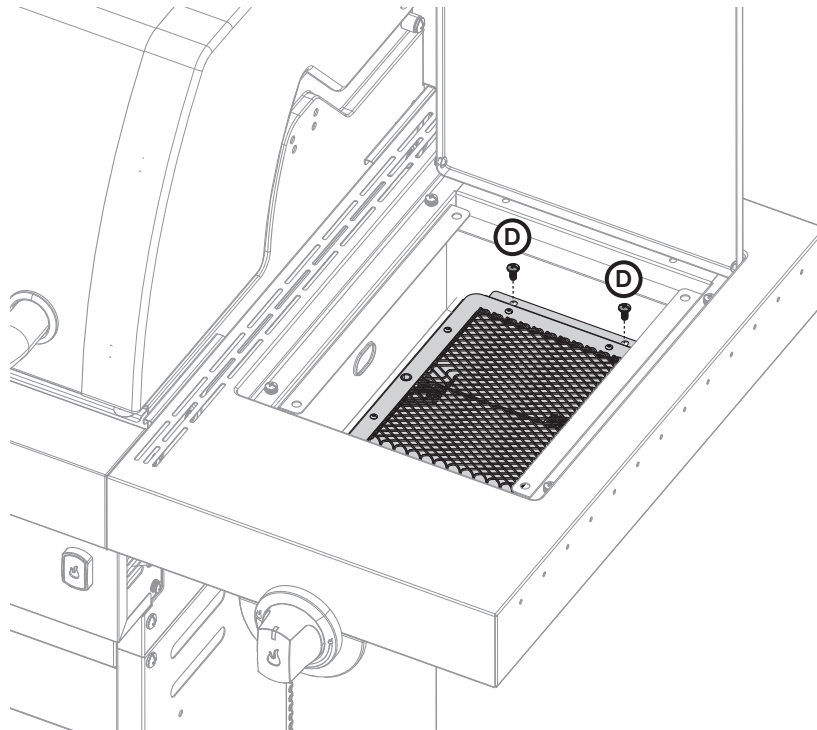
ASSEMBLY

19

1ST

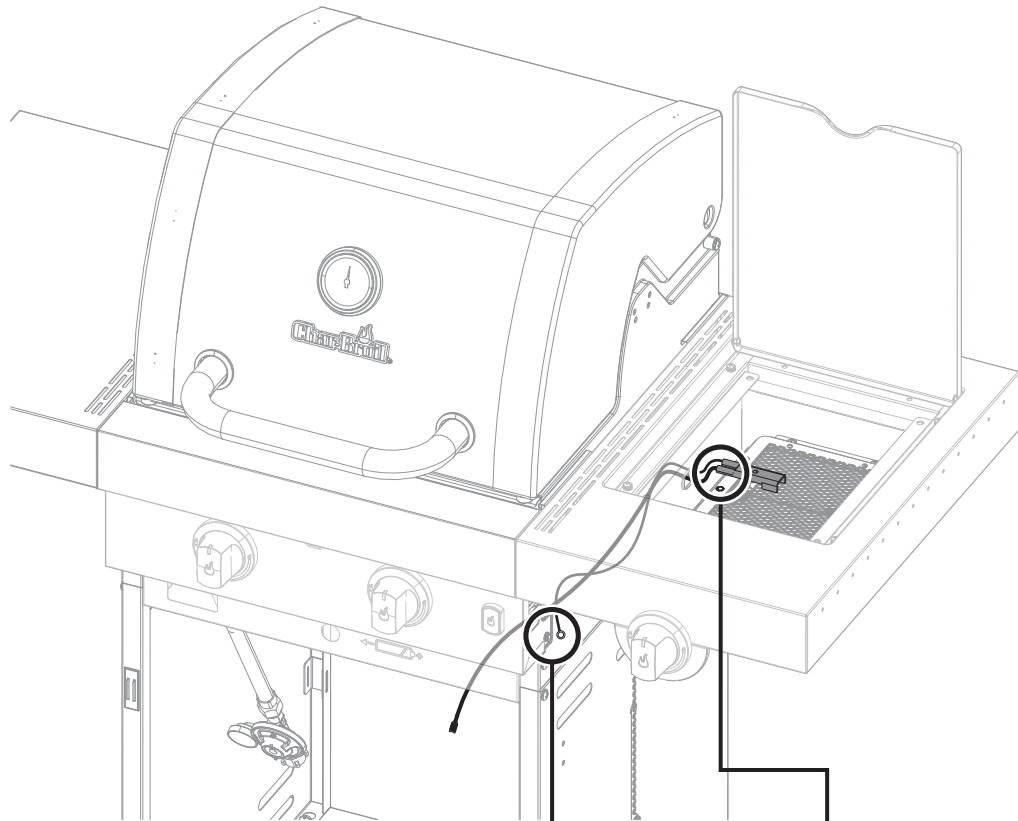


2ND

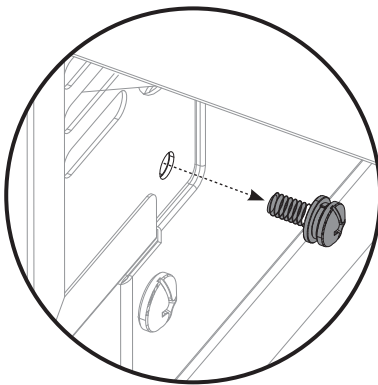


ASSEMBLY

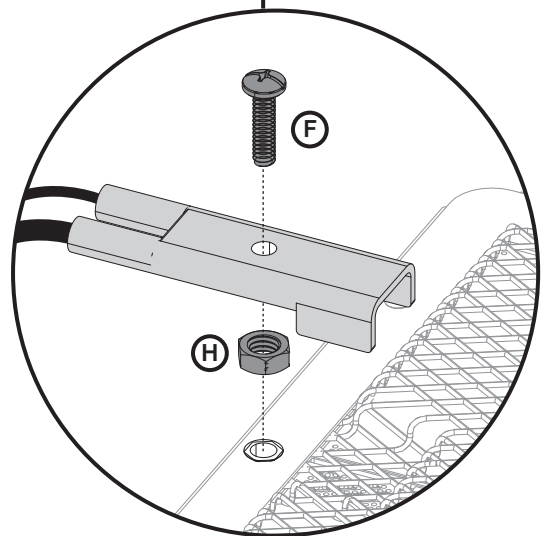
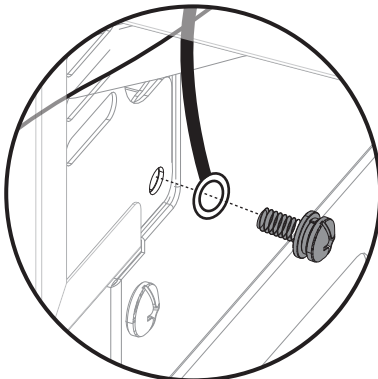
20



1ST



2ND

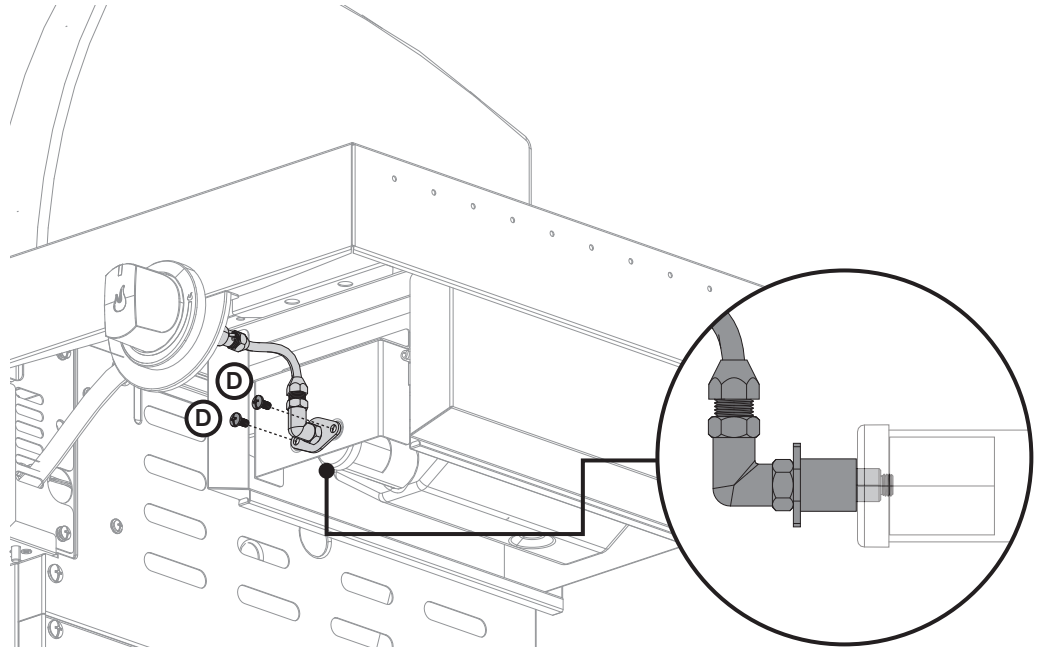


ASSEMBLY

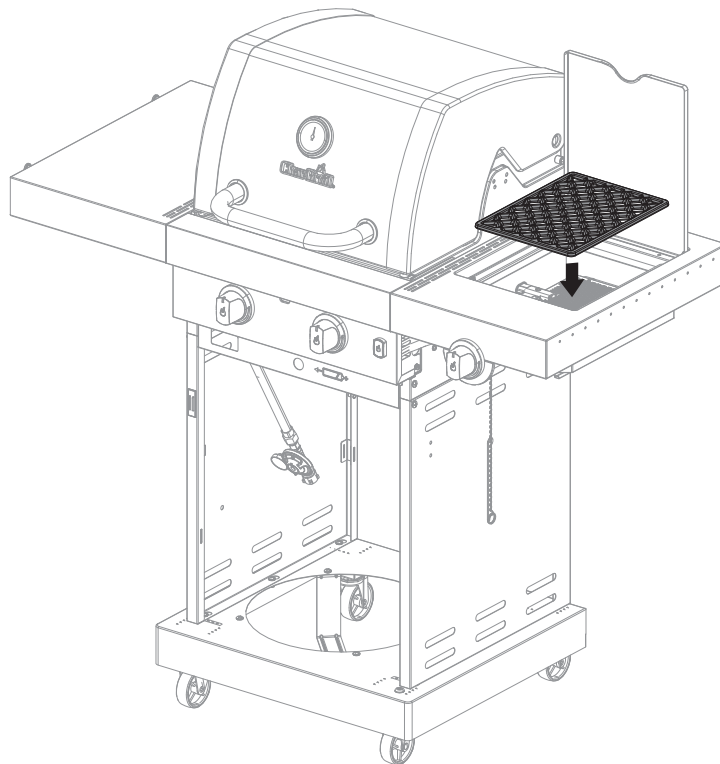
21



Dx2

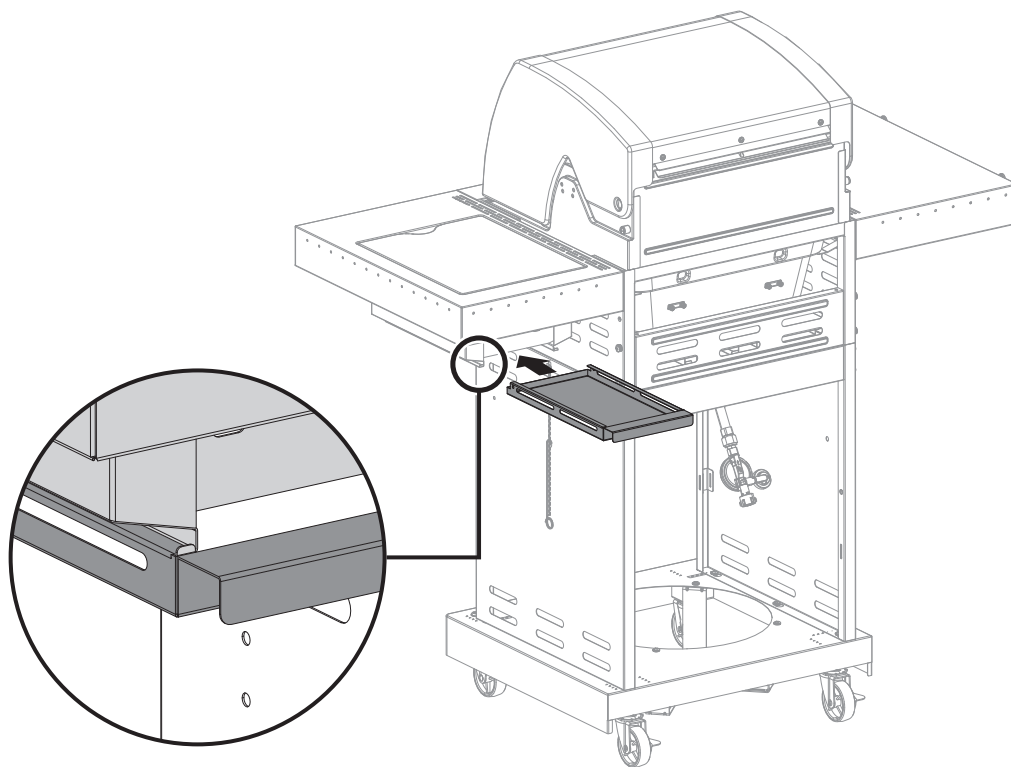


22

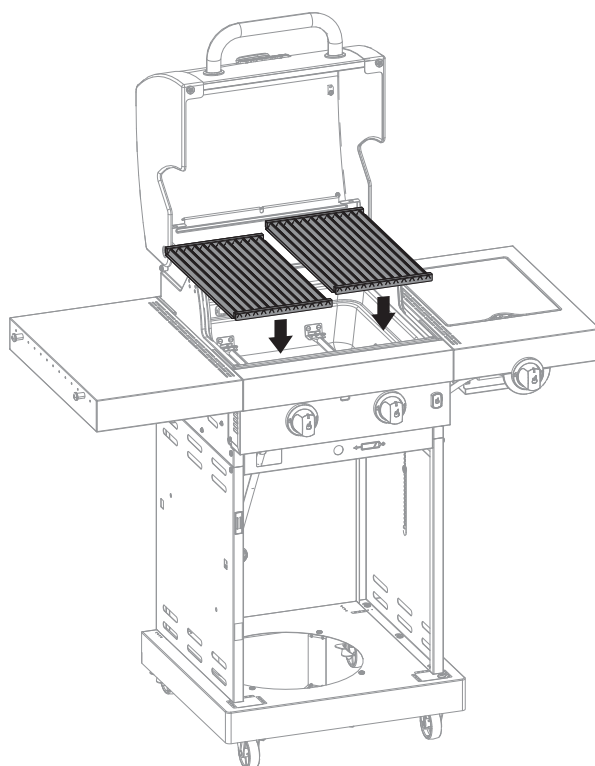


ASSEMBLY

23

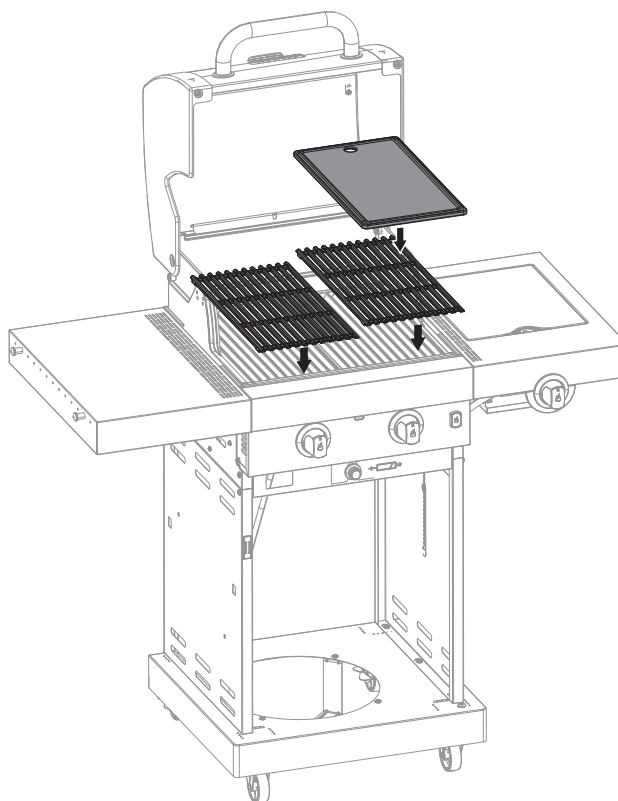


24

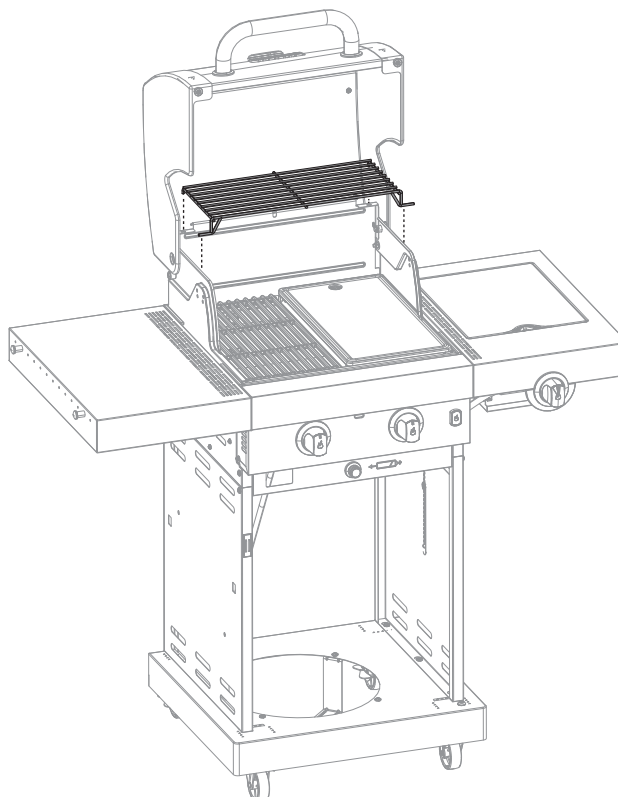


ASSEMBLY

25



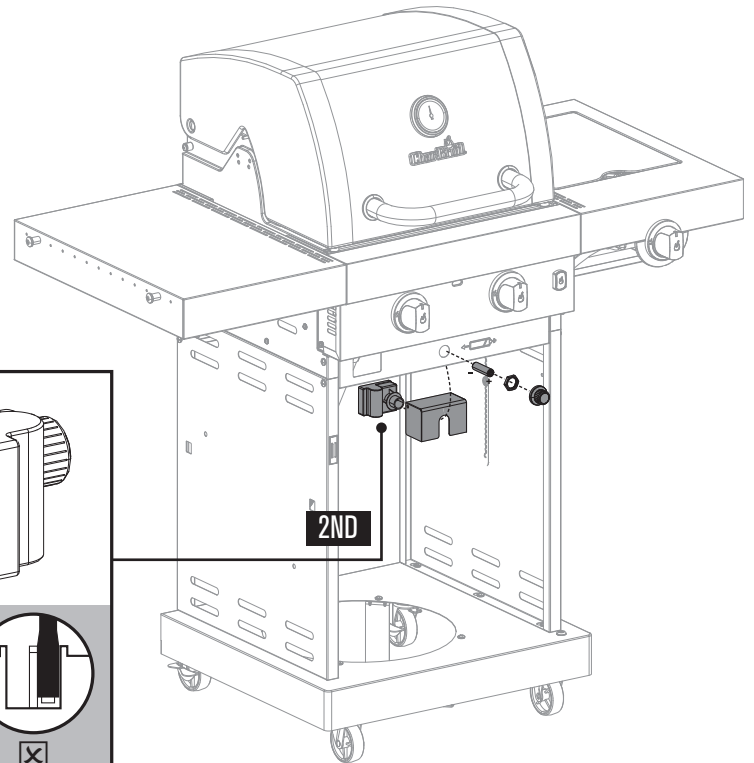
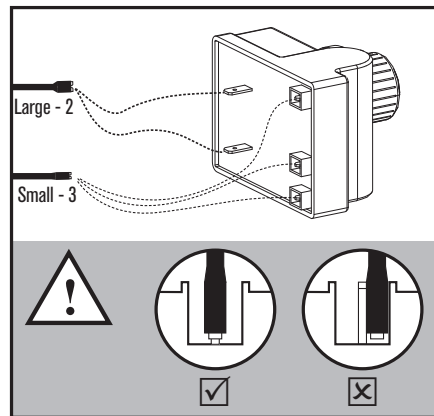
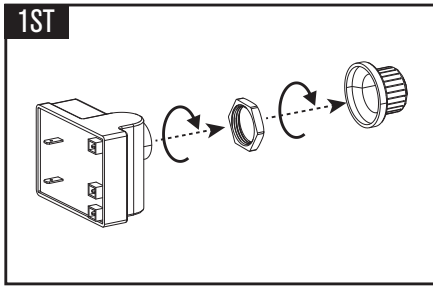
26



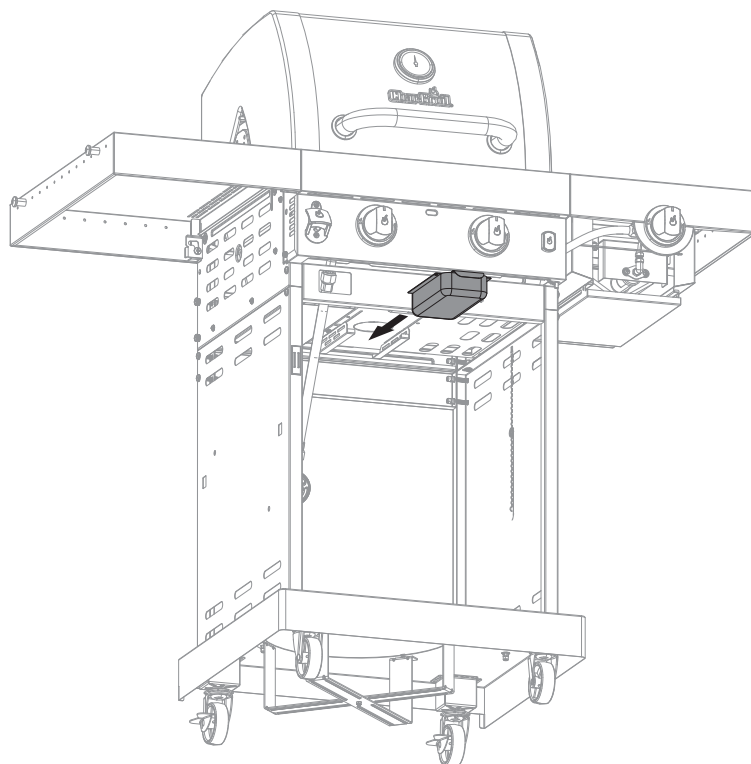
- GB** Inspect your infrared grate before each use to ensure that the openings are not covered with debris. See the Grilling Guide for detailed cleaning instructions.
-
- CH, FR** Inspectez votre grille infrarouge avant chaque utilisation pour vous assurer que les orifices ne sont pas recouverts de débris. Reportez-vous au guide des grillades pour connaître les consignes de nettoyage détaillées.
-
- LU, AT, CH, DE** Überprüfen Sie den Infrarot-Rost vor jedem Gebrauch, um sicherzustellen, dass die Öffnungen nicht verschmutzt sind. Beachten Sie bitte die Bedienungsanleitung des Grills für detaillierte Anweisungen zur Reinigung
-
- CH, IT** Controllare la propriagrigliaa infrarossiprima di ogni utilizzo,al fine di garantire chela aperture nonsiano coperteda detriti. Consultare la 'Guidadella griglia'per istruzionidi puliziadettagliate.
-
- LU, BE, NL** Controleer uw infrarood grill voor elk gebruik om er zeker van te zijn dat de openingen niet verstopt zijn met vuil. Raadpleeg de Grill Handleiding voor gedetailleerde schoonmaakinstructies.
-
- SE** Inspektera det infraröda gallret före varje användning för att säkerställa att öppningarna inte är täckta med skräp . Se grillningsguiden för detaljerade rengöringsinstruktioner.
-
- FI** Tarkista infrapunaritilä aina ennen käyttöä varmistaaksesi, ettei aukoissa olelikaa. Katso yksityiskohtaiset puhdistusohjeet grillausoppaasta.
-
- ES** Revise su parrilla infrarroja antes de cada uso para asegurarse que las aberturas no están cubiertas de escombros. Consulte la Guía de Asado a la Parrilla para la limpieza detallada.
-
- PT** Inspeccionea sua grelha de infravermelho antes de cada utilização para assegurar que as aberturas não estão cobertas com detritos. Consulte o Guia de grelhados para ver as instruções detalhadas de limpeza.
-
- DK** Inspicer din infrarøde rist før hver brug for at sikre, at åbningerne ikke er dækket med affald. Se Grillevejledningen angående detaljerede rengøringsinstruktioner.
-
- NO** Inspiser den infrarøde risten før hver bruk for å sikre at åpninger dekkes ikke med rusk. Se Grillveiledning for detaljerteinstruksjoner om rengjøring.
-
- SK** Pred každým použitím skontrolujte rošt infračerveného grilu a uistite sa, že otvory nie sú upchané nečistotami. Podrobné pokyny týkajúce sa čistenia nájdete v návode na grilovanie
-
- IS** Skoðið innrauðu grindina fyrir hverja notkun til að tryggja að götin séu ekki þakin leifum. Sjá grilleiðbeiningar til að fá ítarlegar hreinsileiðbeiningar.
-
- CZ** Před každým použitím zkontrolujte infračervený rošt, abyste ověřili, zda otvory nejsou pokryty nečistotami. Viz podrobnější pokyny k čištění v Průvodci ke grilování.
-
- IL** לוספב מסיסוכמ מניא מיחתפה יכ חיטבהל תנמ לע שומישי לכ ינפל גלש מודאה ארפניא חאב קודב .
נטרופמ יוקינ תוארוה תלבקל רידמ תיילצ האר.
-
- RO** Inspectați grătarul cu infraroșii înainte de fiecare utilizare, pentru a vă asigura că deschiderile nu sunt acoperite de reziduuri. Citiți Ghidul de Frigere pentru instrucțiuni detaliate de curățare.
-
- GR** Ελέγξτε την υπέρυθρη σχάρα πριν από κάθε χρήση για να βεβαιωθείτε ότι τα ανοίγματα δεν καλύπτονται με υπολείμματα. Ανατρέξτε στον Οδηγό ψησίματος για λεπτομερείς οδηγίες καθαρισμού.
-
- HU** Minden használat előtt ellenőrizze az infravörös rácsát annak biztonságát érdekében, hogy a nyílások ne legyenek törmelék. A részletes tisztítási utasításokat a Grillezési útmutatóban találja.
-
- BG** Проверете инфрачервената си решетка преди всяка употреба, за да се уверите, че отворите не са покрити с отломки. За подробни инструкции за почистване вижте Ръководство за печене.
-
- SI** Preskus tesnosti pred prvo uporabo, vsaj enkrat na leto in vsakič, ko jeklenko zamenjate ali odklopite.
-

ASSEMBLY

27



28



ASSEMBLY

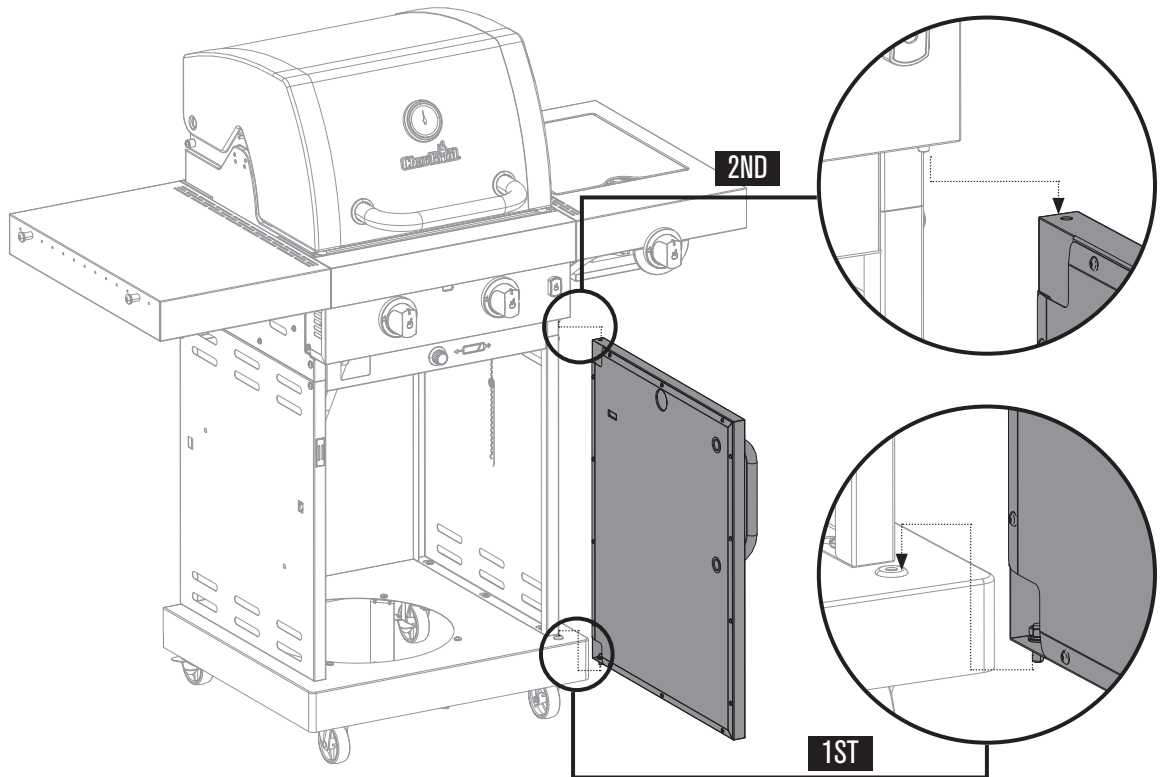
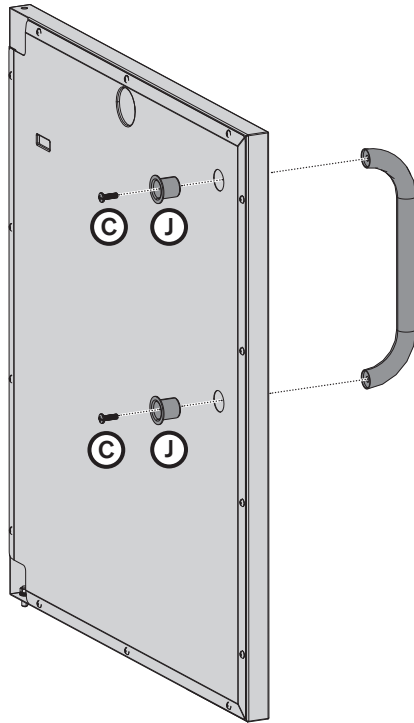
29



Jx2

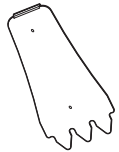


Cx2

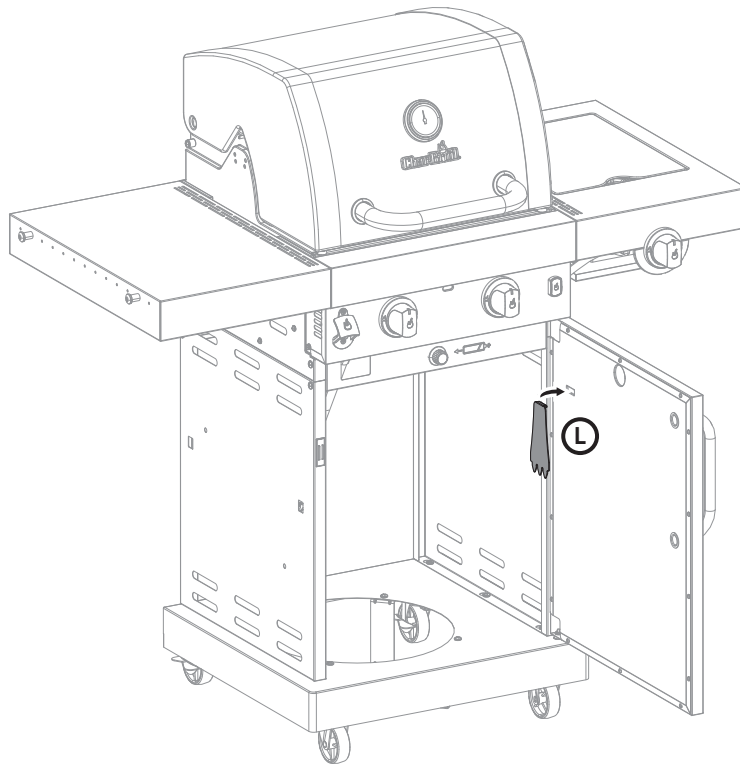


ASSEMBLY

30



Lx1



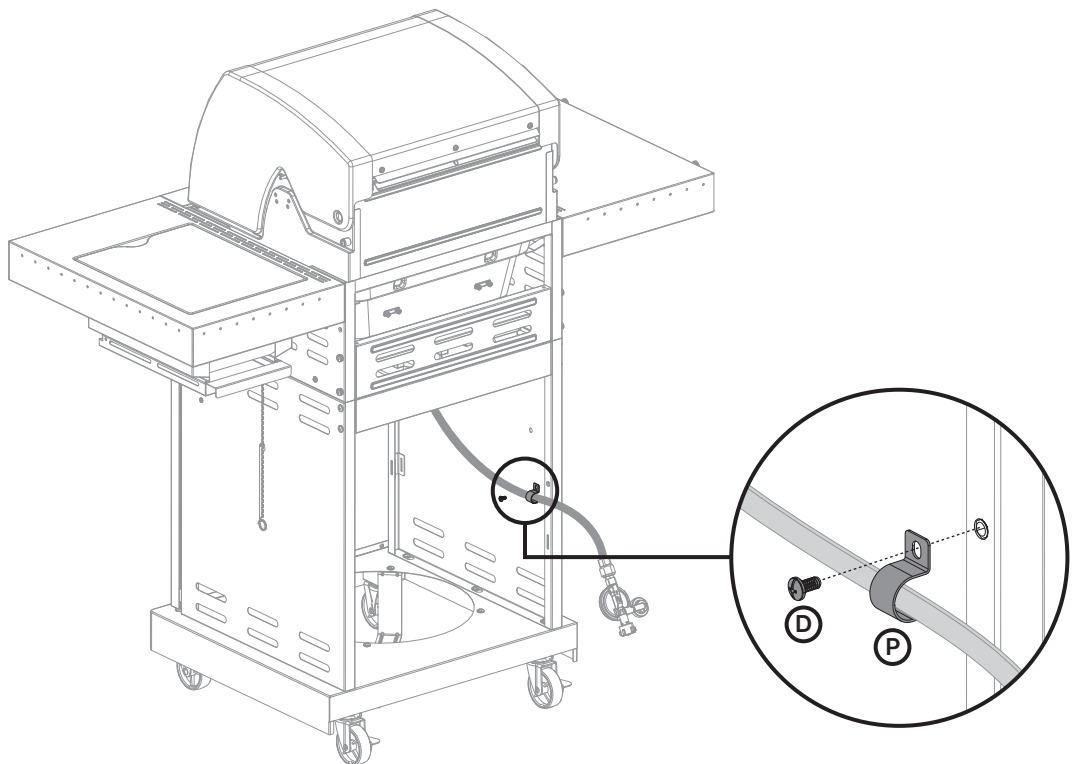
31



Dx1



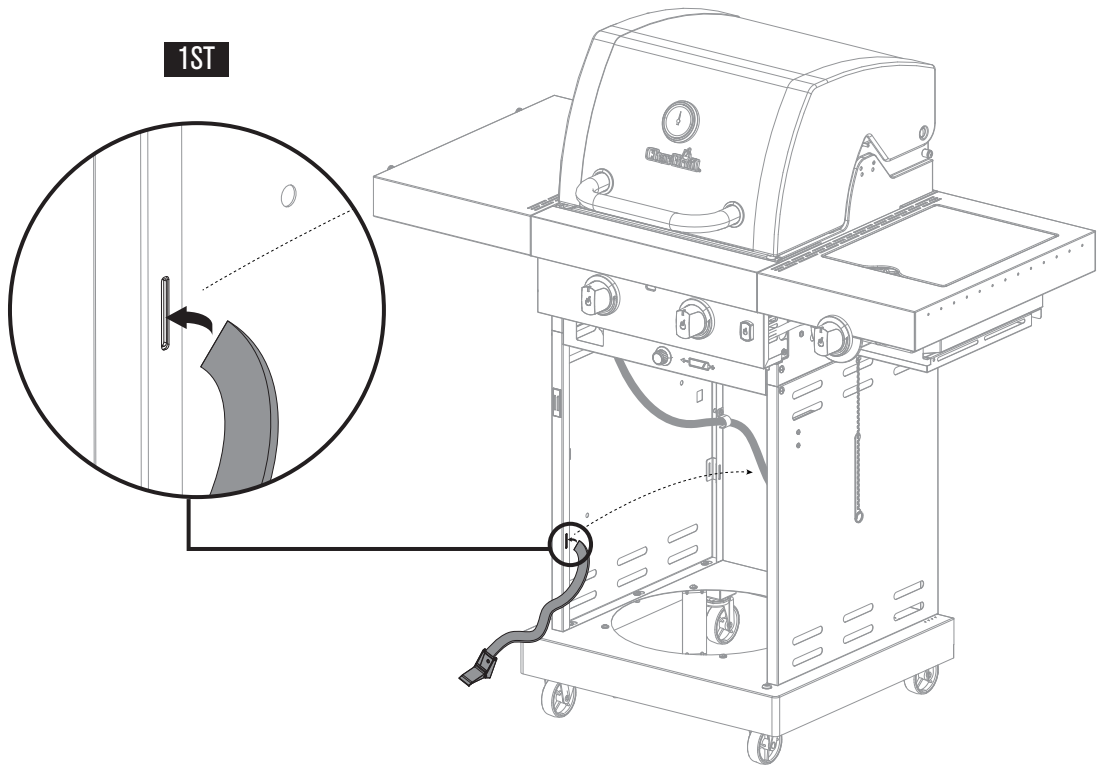
Px1



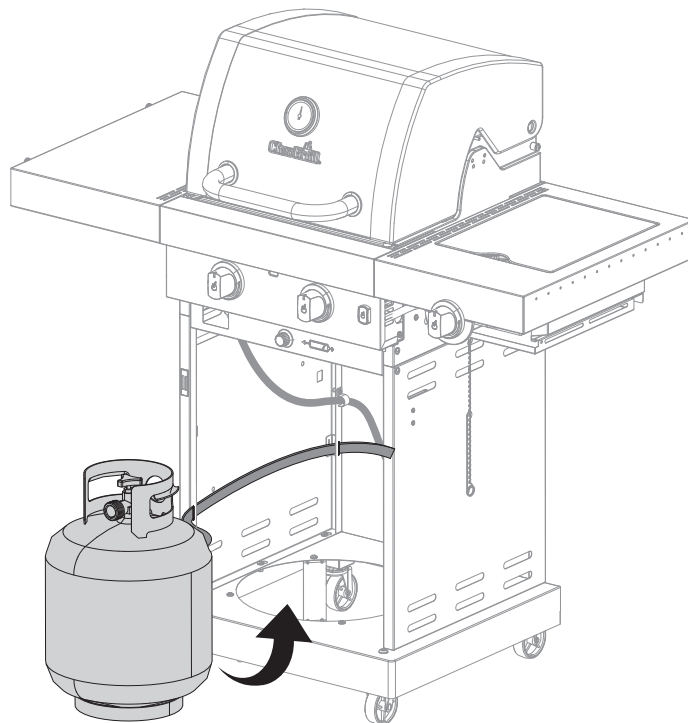
ASSEMBLY

32

1ST

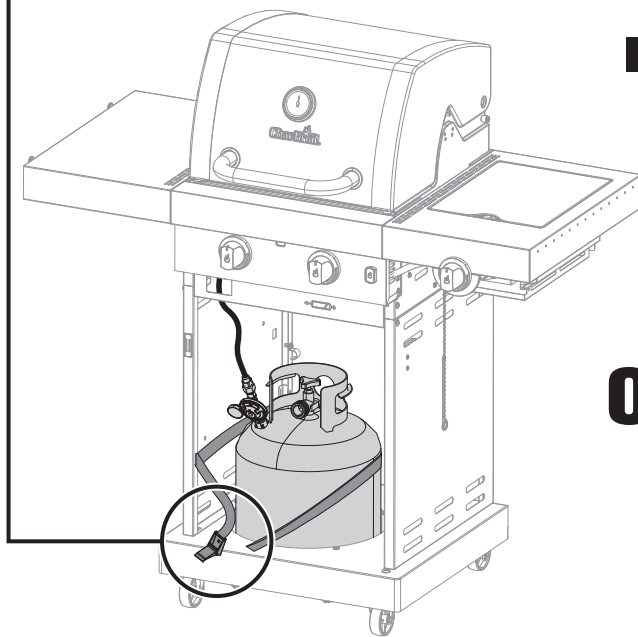
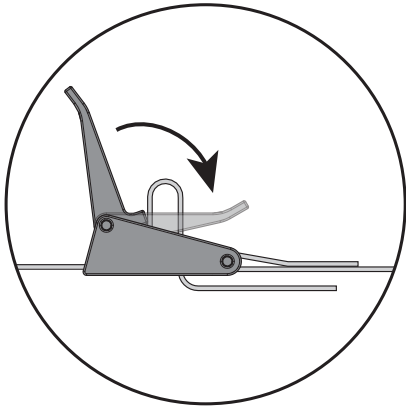


2ND

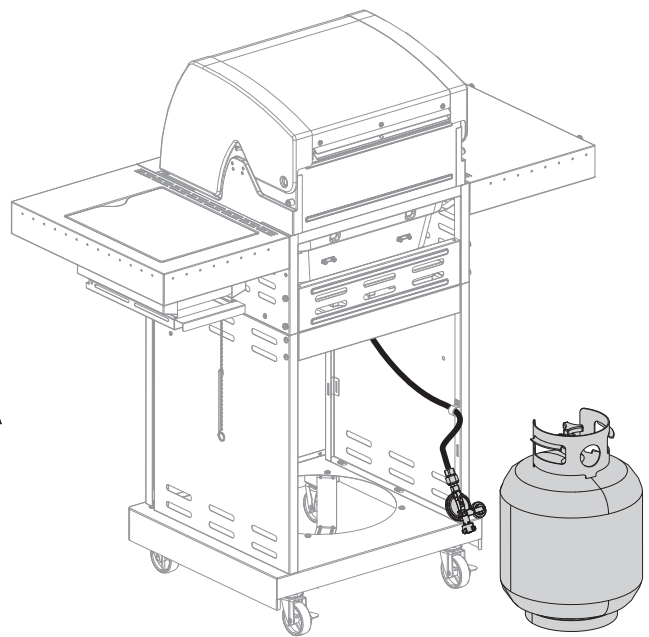


ASSEMBLY

32

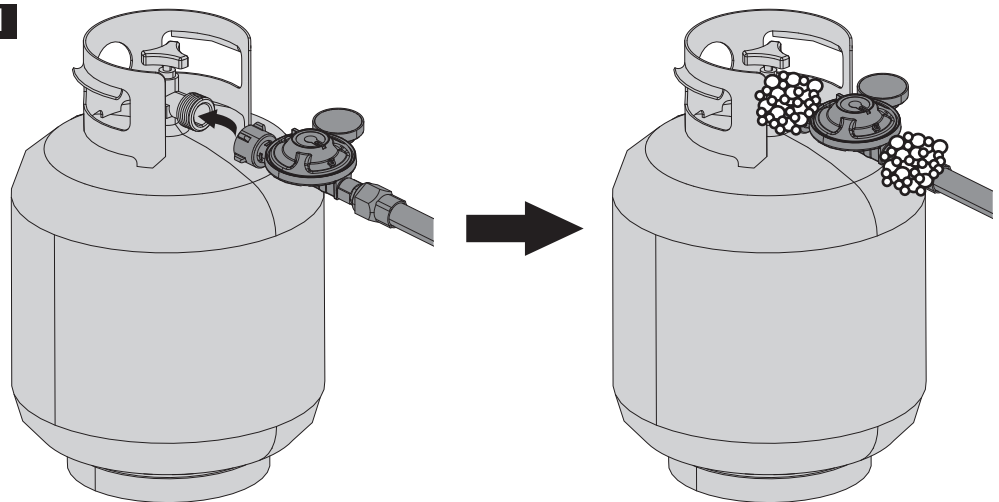


3RD



OR

4TH



GB	Leak test before first use, at least once per year, and every time the gas tank is changed or disconnected.
CH, FR	Faites un test d'étanchéité avant la première utilisation, au moins une fois par an et à chaque fois que le réservoir de gaz GPL est changé ou déconnecté.
LU, AT, CH, DE	Dichtheitsprüfung vor dem ersten Gebrauch, mindestens einmal pro Jahr und jedes Mal, wenn der Flüssiggastank ausgetauscht oder getrennt wird.
CH, IT	Test di tenuta prima del primo utilizzo, almeno una volta all'anno, e ogni volta che il serbatoio del gas GPL viene cambiato o scollegato.
LU, BE, NL	Lektest vóór eerste gebruik, minstens één keer per jaar en telkens wanneer de gastank wordt vervangen of losgekoppeld.
SE	Läcktest före första användningen, minst en gång per år, och varje gång LP-gasen är ändrad eller avstängd.
FI	Vuototesti ennen ensimmäistä käyttöä vähintään kerran vuodessa ja joka kerta, kun LP-kaasusäiliö on vaihdettu tai irrotettu.
ES	Prueba de fugas antes del primer uso, al menos una vez al año, y cada vez que se cambie o desconecte el tanque de gas LP.
PT	Teste de vazamento antes do primeiro uso, pelo menos uma vez por ano, e toda vez que o tanque de GLP for trocado ou desconectado.
DK	Lækage test før første gang brug, mindst en gang om året, og hver gang LP-tanken ændres eller frakobles.
NO	Lekketest før første gangs bruk, minst en gang i året, og hver gang LP-bensintanken skiftes eller kobles fra.
SK	Skúška tesnosti pred prvým použitím, najmenej raz za rok a vždy pri výmene alebo odpojení plynovej nádrže LP.
IS	Leakpróf fyrir fyrstu notkun, að minnsta kosti einu sinni á ári, og í hvert skipti sem LP-gasgeymirinn er breyttur eða aftengdur.
CZ	Zkouška těsnosti před prvním použitím, alespoň jednou za rok, a pokaždé, když je výměna nebo odpojení plynové nádrže LP.
IL	שאררה שומישה ינפל הפילד תקידב, הנשב סעב תוחפל, קלדה לכימי תא סעב לכבולקתונמו וא הנתשמ .
RO	Δοκιμή διαρροής πριν από την πρώτη χρήση, τουλάχιστον μία φορά το χρόνο και κάθε φορά που αλλάζει ή αποσυνδέεται η δεξαμενή αερίου LP.
GR	Δοκιμή διαρροής πριν από την πρώτη χρήση, τουλάχιστον μία φορά το χρόνο και κάθε φορά που αλλάζει ή αποσυνδέεται η δεξαμενή αερίου LP.
HU	Szivárgásvizsgálat az első használat előtt, évente legalább egyszer, és minden alkalommal, amikor az LP gáztartályt megváltoztatják vagy levásztják.
BG	Изпитване за пропускливост преди първа употреба, най-малко веднъж годишно, и всеки път, когато резервоарът за бензин се променя или изключва.
SI	Preskus tesnosti pred prvo uporabo, vsaj enkrat na leto in vsakič, ko zamenjate ali odklopite rezervoar za plin.

Warranty Statement

Char-Broil Europe GmbH of Paul-Dessau-Straße 8 Quartier O – 4.OG D-22761 Hamburg, (Char-Broil) warrants to the PURCHASER of this Char-Broil product that it will be free of defects in material and workmanship from the date of purchase as follows:

	Gas Grills
Burners	10 years
Cooking Grates/Emitters	3 years
All Other Parts (EURO minimum)	2 years

Char-Broil or the seller of the product may require reasonable proof of your date of purchase. **THEREFORE, YOU SHOULD RETAIN YOUR SALES RECEIPT OR INVOICE.**

[France only: All products sold by the Seller are covered by the legal warranties provided in Articles 1641 and followings of the Civil Code (warranty against hidden defects) and Articles L. 217-1 to L. 217-14 and L. 411-1 to L. 411-2 of the Consumer Code (warranty of conformity.)

This Warranty includes the right of repair or replacement of the product or parts of the product that prove defective under normal use and service. Before returning any parts, you should promptly contact Char-Broil using the contact information on our website. In case of a defect, Char-Broil will elect to replace or repair the product or such parts without charge. . Char-Broil will return the product or parts of the product to the purchaser, freight or postage prepaid. If Char-Broil elects to repair the product or such defective parts of the product and this repair fails, you are entitled, pursuant to your statutory legal rights, to reduce the purchase price or to withdraw from the contract and receive a refund.

This Warranty does not cover any failures or operating difficulties due to accident, abuse, misuse, alteration, misapplication, vandalism, improper installation or improper maintenance or service, or failure to perform normal and routine maintenance, including but not limited to damage caused by insects within the burner tubes, as set out in this owner's manual. Exceptions may apply, so please contact Char-Broil or your seller in case you have any questions on whether this Warranty applies to your specific case or not.

Deterioration or damage due to severe weather conditions such as hail, hurricanes, earthquakes or tornadoes, discoloration due to exposure to chemicals either directly or in the atmosphere, is not covered by this Warranty, and are not normally covered by your statutory legal rights.

Char-Broil is not liable for any unforeseeable losses (i.e. loss or damage that neither you nor Char-Broil or the seller contemplated at the time of purchase), or any damage caused by you, save for that Char-Broil's liability for fraud or death or personal injury caused by its negligence is not limited.

Char-Broil does not authorize any person or company to assume for it any other obligation or liability in connection with the sale, installation, use, removal, return, or replacement of its equipment; and no such representations are binding on Char-Broil.

This Warranty applies only to products sold at retail to individuals (as opposed to businesses) within the European Union.

This Warranty does not affect any of your statutory legal rights under the applicable consumer laws of your resident country.

For warranty service, contact Char-Broil at info-eu@CHARBROIL.EU.

Déclaration de Garantie

Char-Broil Europe GmbH of Paul-Dessau-Straße 8 Quartier O – 4.OG D-22761 Hamburg (« Char-Broil »), garantit à l'ACHETEUR du présent produit Char-Broil que ce dernier sera exempt de tout défaut de matériel ou de fabrication à compter de la date de l'achat, comme suit :

	Gril à gaz
Brûleurs	10 ans
Grilles de cuisson et émetteurs	3 ans
Toutes les autres pièces (minimum pour l'Europe)	2 ans

Il se peut que Char-Broil ou le vendeur du produit exige une preuve raisonnable de la date de votre achat. **PAR CONSÉQUENT, VOUS DEVRIEZ CONSERVER VOTRE REÇU OU VOTRE FACTURE.**

[France seulement : Tous les produits vendus par le vendeur sont couverts par les garanties légales prévues aux articles 1641 et suivants du *Code civil* (garantie contre les défauts cachés) et aux articles L. 217-1 à L. 217-14 et L. 411-1 à L. 411-2 du *Code de la consommation* (garantie de conformité.)

La présente garantie comprend le droit à la réparation ou au remplacement du produit ou des pièces du produit qui se révèlent défectueux dans des conditions normales d'usage et d'entretien. Avant de retourner une pièce, vous êtes invité à prendre contact sans délai avec Char-Broil aux coordonnées indiquées sur notre site Web. En cas de défaut, Char-Broil décidera de remplacer ou de réparer sans frais le produit ou les pièces en question. Char-Broil retournera le produit ou les pièces à l'acheteur, frais d'expédition ou d'affranchissement prépayés. Si, après que Char-Broil a décidé de réparer le produit ou les pièces défectueuses, la réparation échoue, vous avez le droit, en vertu de vos droits légaux réglementaires, de réduire le prix d'achat ou de résilier le contrat et de vous faire rembourser.

La présente garantie ne couvre pas les défaillances ou les problèmes de fonctionnement découlant d'un accident, d'une utilisation abusive, d'une mauvaise utilisation, d'une modification, d'une application erronée, d'un acte de vandalisme, d'une mauvaise installation, d'un mauvais entretien, d'une mauvaise réparation ou du non-respect des procédures d'entretien normal et régulier, y compris notamment les dommages causés par les insectes dans les tubes des brûleurs, comme le décrit le présent mode d'emploi. Certaines exceptions peuvent s'appliquer. Veuillez donc prendre contact avec Char-Broil ou avec votre vendeur si vous vous demandez si la présente garantie couvre votre cas particulier ou non.

La détérioration ou les dommages causés par les conditions climatiques particulièrement rigoureuses, comme la grêle, les ouragans, les séismes ou les tornades, ainsi que la décoloration due à l'exposition à des substances chimiques, soit directement, soit dans l'atmosphère, ne sont pas couverts par la présente garantie, et ne sont normalement pas visés par vos droits légaux réglementaires.

Char-Broil n'est pas responsable des pertes imprévues (c'est-à-dire les pertes ou les dommages que ni vous, ni Char-Broil, ni le vendeur n'avez envisagés au moment de l'achat) ou de tout dommage dont vous êtes la cause, à ceci près que la responsabilité de Char-Broil pour fraude, décès ou dommage corporel causés par sa négligence n'est pas limitée.

Char-Broil n'autorise aucun particulier ni aucune société à assumer en son nom toute autre obligation ou responsabilité relativement à la vente, à l'installation, à l'utilisation, à l'élimination, au retour ou au remplacement de son équipement; aucune déclaration à cet effet ne lie Char-Broil.

La présente garantie ne concerne que les produits vendus au détail à des particuliers (et non à des sociétés) au sein de l'Union européenne.

La présente garantie n'a aucune incidence sur les droits légaux réglementaires qui vous sont octroyés par les lois sur la consommation en vigueur dans votre pays de résidence.

Pour demander un service sous garantie, prenez contact avec Char-Broil à l'adresse info-eu@CHARBROIL.EU.

Gewährleistungserklärung

Char-Broil Europe GmbH of Paul-Dessau-Straße 8 Quartier O – 4.OG D-22761 Hamburg (Char-Broil) gewährleistet gegenüber dem KÄUFER dieses Char-Broil-Produktes, dass es ab dem Verkaufsdatum frei von Materials-und Verarbeitungsfehlern sein wird, wie im Folgenden dargestellt:

	Gasgrills
Brenner	10 Jahre
Kochplatten/Emitter	3 Jahre
All anderen Teile (EURO-Minimum)	2 Jahre

Char-Broil oder der Händler des Produkts werden eventuell angemessenen Nachweis Ihres Kaufsdatums verlangen. DESHALB SOLLTEN SIE IHREN KAUFBELEG ODER IHRE RECHNUNG AUFBEWAHREN.

Diese Gewährleistung umfasst das Nachbesserungsrecht oder Ersetzungsrecht des Produktes oder der Teile des Produktes, die sich bei normalem Gebrauch und Anwendung als mangelhaft erweisen. Vor der Rücksendung jedweder Teile sollten Sie sich unverzüglich mit Char-Broil unter Nutzung der Kontaktinformationen auf unserer Website in Verbindung setzen. Im Falle eines Herstellungsfehlers wird Char-Broil das Produkt oder die entsprechenden Teile ohne Berechnung entweder ersetzen oder nachbessern. Char-Broil wird das Produkt oder die Ersatzteile für das Produkt an den Käufer zurücksenden, wobei Fracht oder Porto im Voraus bezahlt wird. Falls Char-Broil die Entscheidung trifft, das Produkt oder die entsprechenden Teile nachzubessern und die Reparatur fehlschlägt, sind Sie gemäß Ihrer rechtlichen Ansprüche dazu berechtigt, den Kaufspreis zu vermindern oder vom Vertrag zurückzutreten und eine Rückvergütung zu erhalten.

Die Gewährleistung erstreckt sich nicht auf Versagen oder Bedienungsschwierigkeiten infolge von Unfällen, Missbrauch, Fehlanwendung, Abänderung, falscher Verwendung, mutwilliger Beschädigung, unsachgemäßer Installation oder unsachgemäßer Instandhaltung oder Betrieb, oder Unterlassen normaler und routinemäßiger Instandhaltung, einschließlich, aber nicht beschränkt auf, durch Insekten im Inneren der Brennrohre verursachte Schäden, wie in dieser Bedienungsanleitung dargelegt. Ausnahmen können vorkommen, darum bitten wir Sie, Char-Broil oder Ihren Händler zu kontaktieren, falls Sie irgendwelche Fragen darüber haben, ob diese Gewährleistung auf Ihren speziellen Fall zutrifft oder nicht.

Zerfall oder Schaden, die durch extreme Witterungsbedingungen wie Hagel, Orkane, Erdbeben oder Tornados, Verfärbung durch Exposition gegenüber chemischen Stoffen, entweder direkt oder atmosphärisch bedingt, verursacht werden, sind durch diese Gewährleistung nicht gedeckt und sind normalerweise nicht durch zutreffende rechtliche Ansprüche gedeckt.

Char-Broil übernimmt keine Verantwortung für irgendwelche unvorhergesehenen Verluste (z. B. Verlust oder Schaden, die weder Sie noch Char-Broil noch der Händler zum Zeitpunkt des Kaufs voraussahen), oder irgendeinen von Ihnen verursachten Schaden, mit Ausnahme der Tatsache, dass die Haftung von Char-Broil für Betrug oder durch ihre Nachlässigkeit verursachten Todesfall oder Verletzungen nicht beschränkt ist.

Char-Broil erteilt keiner anderen Person oder Firma die Vollmacht, für sie irgendwelche anderen Verpflichtungen oder Haftungen im Zusammenhang mit dem Verkauf, der Installation, des Gebrauchs, der Entfernung, Rücksendung, oder des Ersetzens ihrer Geräte zu übernehmen, und keine diesbezüglichen Erklärungen sind für Char-Broil verbindlich.

Diese Gewährleistung hat nur auf im Einzelhandel an Privatpersonen (im Gegensatz zu Unternehmen) innerhalb der Europäischen Union verkaufte Produkte Anwendung.

Diese Gewährleistung berührt keine Ihrer rechtlichen Ansprüche unter den in Ihrem Wohnsitzland geltenden Verbraucherrechten.

Zur Inanspruchnahme von Garantieleistungen kontaktieren Sie Char-Broil unter info-eu@CHARBROIL.EU.

Bozza di dichiarazione di garanzia per Char-Broil

Char-Broil LLC GmbH of Paul-Dessau-Straße 8 Quartier O – 4.OG D-22761 Hamburg (Char-Broil) garantisce all'ACQUIRENTE di questo prodotto Char-Broil che lo stesso sarà privo di difetti, per quanto riguarda materiali e lavorazione, per i seguenti periodi a partire dalla data di acquisto:

	Grill a gas
Fornelli	10 anni
Griglie di cottura/emettitori	3 anni
Tutte le altre parti (minimo per l'Europa)	2 anni

Char-Broil e il venditore del prodotto potranno richiedere una prova certa della data di acquisto. **VI PREGHIAMO PERTANTO DI CONSERVARE LO SCONTRINO O LA FATTURA.**

[France only: All products sold by the Seller are covered by the legal warranties provided in Articles 1641 and followings of the Civil Code (warranty against hidden defects) and Articles L. 217-1 to L. 217-14 and L. 411-1 to L. 411-2 of the Consumer Code (warranty of conformity.)

Questa Garanzia comprende il diritto alla riparazione o sostituzione del prodotto o delle parti dello stesso che presentano difetti alle normali condizioni d'uso e manutenzione. Prima di restituire qualsiasi parte, vi preghiamo di contattare quanto prima Char-Broil ai numeri e indirizzi riportati nel nostro sito web. In caso di difetto, Char-Broil deciderà se sostituire o riparare gratuitamente il prodotto o le parti in questione. Char-Broil restituirà il prodotto o le parti dello stesso all'acquirente, spese di spedizione o affrancatura prepagate. Qualora Char-Broil scelga di riparare il prodotto o le parti difettose dello stesso e la riparazione non dia il risultato previsto, avrete il diritto, in virtù dei diritti legali previsti per legge, di ottenere una riduzione del prezzo d'acquisto o di recedere dal contratto e ottenere il rimborso.

Questa Garanzia non copre guasti o problemi di funzionamento determinati da incidenti, uso improprio, errato o scorretto, modifiche, atti di vandalismo, installazione scorretta, manutenzione o assistenza errata o mancata esecuzione delle operazioni di manutenzione normali e di routine, inclusi, senza carattere limitativo, i danni causati da insetti all'interno dei tubi dei fornelli, come descritto in questo manuale d'istruzioni. Tuttavia possono esservi delle eccezioni. Vi preghiamo pertanto di contattare Char-Broil o il venditore per sapere se la Garanzia è applicabile o meno al vostro caso particolare.

Deterioramenti o danni causati da condizioni meteorologiche avverse, quali grandine, uragani, terremoti o trombe d'aria, e lo scolorimento dovuto all'esposizione a sostanze chimiche, per contatto diretto o presenza nell'atmosfera, non sono coperti da questa Garanzia e non sono normalmente coperti dai diritti legali previsti per legge.

Char-Broil non è responsabile per perdite non prevedibili (cioè perdite o danni non contemplati da voi, da Char-Broil o dal venditore al momento dell'acquisto) o per danni causati da voi, fermo restando che la responsabilità di Char-Broil in caso di frode, morte o lesioni personali causate da negligenza da parte sua è illimitata.

Char-Broil non autorizza persone o società ad assumere ulteriori obblighi o responsabilità in suo nome, in relazione alla vendita, installazione, utilizzo, rimozione, restituzione, o sostituzione dell'apparecchio; qualsiasi dichiarazione in tal senso non è vincolante per Char-Broil.

Questa garanzia è valida solo per i prodotti venduti al dettaglio a privati (non a imprese) all'interno dell'Unione europea.

Questa Garanzia non pregiudica i diritti legali previsti dai codici del consumo vigenti nel vostro paese di residenza.

Per l'assistenza in garanzia, contattate Char-Broil all'indirizzo info-ue@CHARBROIL.EU.

Concept van garantiebeleid voor Char-Broil

Char-Broil LLC GmbH of Paul-Dessau-Straße 8 Quartier O – 4.OG D-22761 Hamburg, Duitsland (Char-Broil) garandeert aan de KOPER van dit Char-Broil- product dat het geen materiaal- en productiefouten zal bevatten vanaf de aankoopdatum tot:

	Grill op gas
Branders	10 jaar
Bakroosters/stralers	3 jaar
Alle overige onderdelen (minimum voor Europa)	2 jaar

Het is mogelijk dat Char-Broil of de verkoper van het product een redelijk bewijs vraagt van de aankoopdatum. **BEWAAR DAAROM UW AANKOOPBEWIJS OF FACTUUR.**

[France only: All products sold by the Seller are covered by the legal warranties provided in Articles 1641 and followings of the Civil Code (warranty against hidden defects) and Articles L. 217-1 to L. 217-14 and L. 411-1 to L. 411-2 of the Consumer Code (warranty of conformity.)

Deze garantie omvat het recht op reparatie of vervanging van het product of de onderdelen van het product die defect blijken te zijn bij gewoon gebruik en onderhoud. Voordat u onderdelen retourneert, moet u zo snel mogelijk contact opnemen met Char-Broil via de contactinformatie op onze website. In het geval van een defect zal Char-Broil bepalen of het product gratis zal worden vervangen of de onderdelen gratis zullen worden gerepareerd. Char-Broil zal het product of de onderdelen van het product aan de koper terugzenden zonder vracht- of portkosten. Indien Char-Broil ervoor kiest om het product of de defecte onderdelen van het product te repareren en het product nog steeds defect is na de reparatie, dan hebt u wettelijk recht op een korting op de aankoopprijs of om het contract te verbreken en restitutie te ontvangen.

Deze garantie dekt geen defecten of problemen bij de werking ten gevolge van een ongeval, misbruik, incorrect gebruik, aanpassing, onjuiste toepassing, vandalisme, slechte installatie of slecht onderhoud of nazicht of wegens het niet-uitvoeren van gewoon en routinematig onderhoud, inclusief, zonder beperking, schade veroorzaakt door insecten in de buizen van de brander, zoals beschreven in de handleiding. Uitzonderingen kunnen van toepassing zijn. Neem daarom contact op met Char-Broil of uw verkoper voor vragen of deze garantie al dan niet op een specifiek geval van toepassing is.

Aantasting of schade wegens barre weersomstandigheden, zoals hagel, orkanen, aardbevingen of tornado's, en verkleuring door blootstelling aan chemische stoffen, direct of in de atmosfeer, vallen niet onder deze garantie en zijn doorgaans ook niet gedekt door uw wettelijke rechten.

Char-Broil is niet aansprakelijk voor niet te voorzien verlies (verlies dat of schade die u noch Char-Broil of de verkoper had voorzien bij de aankoop) of voor schade die u hebt veroorzaakt, behalve dat de aansprakelijkheid van Char-Broil voor fraude of overlijden of letsel door nalatigheid van Char-Broil niet beperkt is.

Char-Broil verbiedt personen of bedrijven om verplichtingen of aansprakelijkheid te aanvaarden voor Char-Broil gerelateerd aan de verkoop, de installatie, het gebruik, de verwijdering, het retourneren of vervangen van dit apparaat. Dergelijke verklaringen binden Char- Broil niet.

Deze garantie is uitsluitend van toepassing op producten verkocht in de detailhandel aan personen (niet aan bedrijven) binnen de Europese Unie.

Deze garantie verandert niets aan uw wettelijke rechten krachtens de toepasselijke consumentenwetten van het land waar u woont.

Voor service onder de garantie neemt u contact op met Char-Broil op info-eu@CHARBROIL.EU.

Utkast av garantibeskrivning för Char-Broil

Char-Broil LLC GmbH of Paul-Dessau-Straße 8 Quartier O – 4.OG D-22761 Hamburg, (Char-Broil) garanterar KÖPAREN av denna produkt från Char-Broil att den kommer vara fri från brister i material och utförande från inköpsdatumet på följande sätt:

	Gasgrillar
Brännare	10 år
Grillgaller	3 år
Alla övriga delar (EURO-minimum)	2 år

Char-Broil eller säljaren av denna produkt kan kräva ett giltigt bevis av ditt inköpsdatum. **DÄRFÖR SKA DU SPARA DITT KVITTO ELLER FAKTURA.**

[France only: All products sold by the Seller are covered by the legal warranties provided in Articles 1641 and followings of the Civil Code (warranty against hidden defects) and Articles L. 217-1 to L. 217-14 and L. 411-1 to L. 411-2 of the Consumer Code (warranty of conformity.)

Denna garanti omfattar rätten att reparera eller byta ut produkten eller delar av produkten som visar sig vara defekta vid normal användning och service. Innan du returnerar delar ska du omedelbart kontakta Char-Broil med hjälp av kontaktinformationen på vår webbplats. I händelse av en defekt produkt avgör Char-Broil om produkten ska ersättas eller repareras, kostnadsfritt. Char-Broil returnerar produkten eller delarna av produkten till köparen med förbetald frakt eller porto. Om Char-Broil väljer att reparera produkten, eller defekta delar av produkten, och denna reparation misslyckas har du rätt, i enlighet med dina lagstadgade rättigheter, att minska inköpspriset eller upphäva avtalet och erhålla en återbetalning.

Denna garanti täcker inte fel eller besvär under användning som har uppkommit på grund av en olyckshändelse, missbruk, felanvändning, ändring, felaktig användning, vandalism, felaktig installation eller felaktigt underhåll eller skötsel, eller underlåtenhet att utföra standard- och rutinunderhåll, inklusive men inte begränsat till skador orsakade av insekter i brännrören, enligt beskrivningen i denna bruksanvisning. Undantag kan gälla, var god kontakta Char-Broil eller din säljare om du har några frågor om huruvida denna garanti gäller för ditt specifika fall eller ej.

Förfall eller skador som uppkommit på grund av allvarliga väderhållanden som hagel, orkaner, jordbävningar eller tromber, missfärgning på grund av exponering av kemikalier, antingen direkt eller i atmosfären, omfattas inte av denna garanti och är normalt inte omfattad av dina lagstadgade juridiska rättigheter.

Char-Broil är inte ansvarig för eventuella oförutsedda förluster (dvs. förluster eller skador som varken du, Char-Broil eller säljaren beskådat vid inköpstillfället), eller skador som orsakats av dig, förutom Char-Broils ansvar för bedrägeri, dödsfall eller personskada orsakad av vårdslöshet.

Char-Broil tillåter inte någon person eller företag att påta sig någon skyldighet eller ansvar i samband med försäljning, installation, användning, borttagning, returnering eller byte av utrustning, och inga sådana framställningar är bindande för Char-Broil.

Denna garanti gäller endast produkter som säljs i detaljhandeln till privatpersoner (i motsats till företag) inom den Europeiska unionen.

Denna garanti påverkar inte dina lagstadgade juridiska rättigheter enligt de gällande konsumentlagarna i ditt hemland.

För garantiservice, kontakta Char-Broil på info-eu@CHARBROIL.EU.

Char-Broilin takuuehdotusluonnos

Char-Broil LLC GmbH of Paul-Dessau-Straße 8 Quartier O – 4.OG D-22761 Hamburg (Char-Broil) takaa tämän Char-Broil-tuotteen OSTAJALLE, että siinä ei ole materiaali- ja valmistusvikoja ostopäivästä alkaen seuraavasti:

	Kaasugrillit
Polttimet	10 vuotta
Keittolevyt / emitterit	3 vuotta
Kaikki muut osat (EURO minimi)	2 vuotta

Char-Broil tai tuotteen myyjä voi vaatia kohtuullista todistusta ostopäivästäsi. **SIKSI SINUN TULEE SÄILYTTÄÄ OSTOKUITTISI TAI LASKUSI.**

[France only: All products sold by the Seller are covered by the legal warranties provided in Articles 1641 and followings of the Civil Code (warranty against hidden defects) and Articles L. 217-1 to L. 217-14 and L. 411-1 to L. 411-2 of the Consumer Code (warranty of conformity.)

Tämä takuu sisältää oikeuden korjata tai vaihtaa tuotteen tai tuotteen osien, jotka osoittautuvat vialliseksi tavanomaisessa käytössä ja huollossa. Ennen minkään osan palauttamista sinun tulee välittömästi ottaa yhteyttä Char-Broiliin verkkosivustossamme oleviin yhteystietoihin. Vianmäärityksen yhteydessä Char-Broil valitsee tuotteen korvaamisen tai korjauksen ilmaiseksi. Char-Broil palauttaa tuotteen tai tuotteen osan ostajalle, rahti tai postimaksut maksettuina. Jos Char-Broil päättää korjata tuotteen tai tuotteen virheelliset osat ja tämä korjaus epäonnistuu, sinulla on lakisääteisten laillisten oikeuksiesi mukaisesti oikeus alentaa ostohintaa tai peruuttaa sopimus ja saada palautusta.

Tämä takuu ei kata onnettomuuksia, väärinkäytöksiä, tehtyjä muutoksia, virheellisiä käyttötapoja, vandalismia, vääränlaista asennusta tai huollosta taikka huollon aiheuttamia toimintahäiriöitä tai muita toimintahäiriöitä tai tavanomaisen ja rutiininomaisen huollon suorittamatta jättämistä, mukaan lukien, mutta ei rajoittuen, hyönteisten aiheuttamiin vahinkoihin polttimen putkien sisällä, kuten on esitetty tässä omistajan käsikirjassa. Poikkeuksia saattaa olla, joten ota yhteyttä Char-Broiliin tai myyjäsi, jos sinulla on kysyttävää, koskeeko tämä takuu erityisesti teidän tapaukseenne vai ei.

Tämä takuu ei koske vaikeita sääolosuhteita, kuten rakeita, hurrikaaneja, maanjäristyksiä tai tornadoja, jotka johtuvat suoraan tai ilmakehään joutuneille kemikaaleille altistumisesta. Ne eivät yleensä kuulu lakisääteisten oikeuksien piiriin.

Char-Broil ei ole vastuussa mistään ennalta arvaamattomista menetyksistä (tappioista tai vahingoista, jotka sinulle tai Char-Broilille tai myyjälle eivät ole ostohetkellä ajankohtaisia) tai vahingosta, jonka olet aiheuttanut, lukuun ottamatta Char-Broilin vastuuta petoksesta tai laiminlyönnistä aiheutunutta kuolemantapausta tai henkilövahinkoa, joita ei ole rajoitettu.

Char-Broil ei salli kenenkään henkilön tai yrityksen olla vastuussa mistään muista velvoitteista, jotka liittyvät laitteiden myyntiin, asennukseen, käyttöön, poistamiseen, palauttamiseen tai korvaamiseen. Eivätkä tällaiset edustukset sido Char-Broilia.

Tämä takuu koskee vain tuotteita, jotka myydään yksityishenkilöille (toisin kuin yrityksille) Euroopan unionin alueella.

Tämä takuu ei vaikuta lakisääteisiin oikeuksiisi maassasi sovellettavien kuluttajansuojalainsäädäntöjen mukaisesti.

Takuuhuoltoon liittyen, ota yhteyttä Char-Broiliin info-eu@CHARBROIL.EU.

Declaración de garantía premilinar de Char-Broil

Char-Broil LLC dGmbH of Paul-Dessau-Straße 8 Quartier O – 4.OG D-22761 Hamburg, (Char-Broil) garantiza al comprador de este producto de Char-Broil que estará libre de defectos en material y mano de obra a partir de la fecha de compra como sigue:

	Parrillas a gas
Quemadores	10 años
Rejilla de cocción/emisores	3 años
Todas las otras piezas (mínimas para EUROPA)	2 años

Char-Broil o el vendedor del producto podría requerir de una prueba razonable de LA FECHA DE COMPRA. **POR LO TANTO, USTED DEBE GUARDAR EL RECIBO DE VENTA O FACTURA.**

[France only: All products sold by the Seller are covered by the legal warranties provided in Articles 1641 and followings of the Civil Code (warranty against hidden defects) and Articles L. 217-1 to L. 217-14 and L. 411-1 to L. 411-2 of the Consumer Code (warranty of conformity.)

La presente Garantía incluye el derecho de reparación o reemplazo del producto o piezas del producto que resultasen defectuosas bajo un uso y servicio normales. Antes de devolver las piezas, debe comunicarse inmediatamente con Char-Broil utilizando la información de contacto en nuestro sitio web. En caso de defecto, Char-Broil elegirá reemplazar o reparar el producto o dichas piezas sin costo alguno. Char-Broil devolverá el producto o piezas del producto al comprador, bajo la modalidad de flete o porte prepagado. Si elige que Char-Broil repare el producto o esas piezas defectuosas del producto y esa reparación no es adecuada, usted tiene derecho, en virtud de sus derechos estatutarios, a reducir el precio de compra o a rescindir el contrato y recibir un reembolso.

Esta Garantía no cubre fallas o dificultades de funcionamiento por accidente, abuso, mal uso, alteración, aplicación indebida, vandalismo, instalación inadecuada, mantenimiento o reparación indebido, o realización del mantenimiento normal y de rutina, lo que incluye pero no se limita a daños causados por insectos dentro de los tubos del quemador, como se establece en este manual del propietario. Algunas excepciones podrían aplicar, póngase en contacto con Char-Broil o con el vendedor en caso de tener dudas sobre si esta garantía se aplica a su caso específico o no.

El deterioro o daños debido a condiciones climáticas extremas tales como granizo, huracanes, terremotos o tornados, la decoloración debido a la exposición a productos químicos ya sea directamente o en la atmósfera, no están cubiertos por esta Garantía y normalmente no están cubiertos por sus derechos estatutarios.

Char-Broil no es responsable por ninguna pérdida imprevisible (es decir, pérdida o daño que ni usted ni Char-Broil o el vendedor pudiese haber contemplado en el momento de la compra), o cualquier daño causado por usted, salvo la responsabilidad de Char-Broil por fraude, muerte o daños personales causados por su negligencia.

Char-Broil no autoriza a ninguna persona o empresa a asumir cualquier otra obligación o responsabilidad con respecto a la venta, instalación, uso, retiro, devolución o reemplazo de sus equipos; y ninguna de esas declaraciones son vinculantes para Char-Broil.

Esta Garantía sólo se aplica a productos vendidos al por menor a particulares (y no a empresas) dentro de la Unión Europea.

Esta garantía no afecta ninguno de sus derechos estatutarios bajo las leyes del consumidor aplicables de su país residente.

Para el servicio de garantía, póngase en contacto con Char-Broil en info-eu@CHARBROIL.EU.

Proposta de Declaração de Garantia para a Char-Broil

A Char-Broil LLC GmbH of Paul-Dessau-Straße 8 Quartier O – 4.OG D-22761 Hamburg, a (Char-Broil) garante ao COMPRADOR deste produto Char-Broil, que ele está isento de defeitos em termos de material e fabrico a partir da dada de aquisição como segue:

	Grelhadores a Gás
Bicos	10 anos
Grelhas/Emissores de cozedura	3 anos
Todas as outras peças (mínimo EURO)	2 anos

A Char-Broil ou o vendedor do produto pode solicitar prova razoável da sua data de aquisição. **PORTANTO, DEVE GUARDAR O SEU RECIBO OU FATURA DE VENDA.**

[France only: All products sold by the Seller are covered by the legal warranties provided in Articles 1641 and followings of the Civil Code (warranty against hidden defects) and Articles L. 217-1 to L. 217-14 and L. 411-1 to L. 411-2 of the Consumer Code (warranty of conformity.)]

Esta Garantia inclui o direito a reparação ou substituição do produto ou peças do produto que se revelem defeituosas sob utilização e serviço normal. Antes de devolver quaisquer peças, deve contactar imediatamente a Char-Broil através das informações de contacto no nosso website. Em caso de defeito, a Char-Broil decidirá substituir ou reparar o produto ou as referidas peças a título gratuito. A Char-Broil devolverá o produto ou as peças do produto ao comprador, através de frete pré-pago ou porte pré-pago. Se a Char-Broil decidir reparar o produto ou as referidas peças defeituosas do produto e se esta reparação falhar, tem direito, de acordo com os seus direitos estatutários legais, a reduzir o preço de aquisição ou a desistir do contrato e a receber um reembolso.

Esta Garantia não cobre quaisquer falhas ou dificuldades de funcionamento devido a acidente, abuso, utilização indevida, alteração, aplicação incorreta, vandalismo, instalação imprópria ou manutenção ou serviço inadequados, ou incapacidade de executar uma manutenção normal e de rotina que incluam, mas se não restrinjam, a danos provocados por insetos dentro dos tubos do bico, conforme determinado neste manual do utilizador. Podem aplicar-se exceções, portanto contacte a Char-Broil ou o seu vendedor caso tenha perguntas ou se esta Garantia se aplicar ou não ao seu caso específico.

Degradação ou danos em virtude de condições atmosféricas adversas, como granizo, furacões, sismos ou tornados, a descoloração resultante da exposição a químicos, diretamente ou na atmosfera, não estão cobertos por esta Garantia e não estão geralmente cobertos pelos seus direitos estatutários legais.

A Char-Broil não é responsável por quaisquer perdas imprevisíveis (i.e. perda ou dano não contemplado por si, pela Char-Broil ou pelo vendedor na altura da aquisição), ou qualquer dano provocado por si, salvo a responsabilidade não limitada da Char-Broil por fraude ou morte ou lesão pessoal decorrente de negligência.

A Char-Broil não autoriza qualquer pessoa ou empresa a assumir por isso qualquer obrigação ou responsabilidade relacionada com a venda, instalação, utilização, remoção ou substituição do seu equipamento e tais representações não vinculam a Char-Broil.

Esta Garantia aplica-se apenas a produtos vendidos a retalho a indivíduos (em oposição às empresas) dentro da União Europeia.

Esta Garantia não afeta qualquer dos seus direitos estatutários legais ao abrigo das leis do consumidor, aplicáveis no seu país de residência.

Para serviço de garantia, contacte a Char-Broil em info-eu@CHARBROIL.EU.

Garantierklæring

Char-Broil Europe GmbH of Paul-Dessau-Straße 8 Quartier O – 4.OG D-22761 Hamburg, (Char-Broil) garanterer køberen af dette Char-Broil produkt er uden materielle eller fabrikationsfejl som anvist:

	Gas Grills
BRÆNDERE	10 ÅR
GRILLRISTE / SENDERE	3 ÅR
ALLE ANDRE DELE (EURO MINIMUM)	2 ÅR

Både Char-Broil og sælger af produktet kan opkræve et rimeligt bevis for købsdatoen. **DERFOR SKAL DU BEHOLDE DIN KVITTERING ELLER FAKTURA.**

Garantien omfatter retten til reparation eller udskiftning af produktet eller dele af produktet, som kan bevises at være defekt ved normal brug og service. Før du returnere delene, skal du straks kontakte Char-Broil. Du finder kontaktoplysningerne på vores hjemmeside. I tilfælde af fejl, vil Char-Broil erstatte eller reparere produktet eller delene uden beregning. Char-Broil vil returnere produktet eller dele af produktet til køberen, efter forudbetalt fragt eller porto. Hvis Char-Broil vælger at reparere produktet eller de defekte dele af produktet og denne reparation mislykkes, har du ret til, i henhold til dine lovbestemte juridiske rettigheder, at reducere købsprisen eller at fortryde aftalen og blive refunderet.

Denne garanti dækker ikke svigt eller driftsvanskeligheder på grund af uheld, misbrug, ændring, fejlagtig anvendelse, vandalisme, forkert installation eller vedligeholdelse eller service, eller manglende evne til at opfylde normal og rutinemæssig vedligeholdelse, herunder men ikke begrænset til skader forårsaget af insekter i brænderør, som angivet i denne ejers brugervejledning. Ved undtagelser, venligst kontakt Char-Broil eller din sælger, hvis du har spørgsmål om, hvorvidt denne garanti gælder for din konkrete sag eller ej.

Forringelse eller skader som følge af vanskelige vejrforhold såsom hagl, orkaner, jordskælv eller tornadoer, misfarvning som følge af udsættelse for kemikalier, enten direkte eller i atmosfæren, er ikke omfattet af denne garantiforsikring, og er normalt ikke dækket af dine lovmæssige rettigheder .

Char-Broil er ikke ansvarlig for eventuelle uforudsete tab (dvs. tab eller skader, som hverken du, Char-Broil eller sælger har overvejet på købstidspunktet), eller eventuelle skader du kan have forårsaget, med undtagelse af, at Char-Broils ansvar er ubegrænset over for bedrageri, dødsfald eller personskade forårsaget af uagtsomhed.

Char-Broil tillader ikke, at hverken en person eller virksomhed påtager sig nogen andre forpligtelser eller ansvar i forbindelse med salg, installation, brug, fjernelse, returnering eller udskiftning af sit udstyr; og sådanne repræsentationer er ikke bindende for Char-Broil.

Denne GARANTI er kun gældende for produkter, der sælges i detailhandlen til enkeltpersoner (i modsætning til virksomhederne) i den Europæiske Union.

Denne garanti påvirker ikke nogen af dine lovbestemte juridiske rettigheder i henhold til gældende forbrugerlovgivning i dit hjemland.

For garantiservice bør du kontakte Char-Broil på info-eu@CHARBROIL.EU.

Utkast til garantierklæring for Char-Broil

Char-Broil LLC, GmbH of Paul-Dessau-Straße 8 Quartier O – 4.OG D-22761 Hamburg (Char-Broil) garanterer overfor KJØPEREN av dette Char-Broil-produktet at det skal være fritt for feil i materialer og utførelse fra følgende kjøpsdato:

	Gassgrillapparater
Brennere	10 år
Grillrister/emittere	3 år
Alle andre deler (EURO-minimum)	2 år

Char-Broil eller selgeren av dette produktet kan kreve rimelige dokumentasjon på kjøpsdatoen. **DERFOR BØR DU TA VARE PÅ KVITTERINGEN ELLER FAKTUREAN.**

[France only: All products sold by the Seller are covered by the legal warranties provided in Articles 1641 and followings of the Civil Code (warranty against hidden defects) and Articles L. 217-1 to L. 217-14 and L. 411-1 to L. 411-2 of the Consumer Code (warranty of conformity.)

Denne garantien omfatter rett til reparasjon eller erstatning av produktet eller deler av produktet dersom det viser seg å ha feil ved normalbruk og service. Før du returnerer deler, må du omgående kontakte Char-Boil ved hjelp av kontaktopplysningene på nettsidene våre. Dersom det påvises feil, vil Char-Broil velge å enten erstatte eller reparere produkter eller de mangelfulle delene, uten kostnad. . Char-Broil vil returnere produktet eller deler av produktet til kjøperen, med forhåndsbefalt frakt eller porto. Hvis Char-Broil velger å reparere produktet eller produktets defekte deler, og hvis slik reparasjon ikke lykkes, har du rett til, i henhold til dine juridiske rettigheter, å redusere kjøpesummen eller trekke deg fra kontrakten og få refundert beløpet.

Denne garantien dekker ikke feil eller driftsvansker som skyldes uhell, misbruk, feilbruk, endringsarbeid, hærverk eller feil montering, vedlikehold eller service, eller manglende utførelse av vanlig og rutinemessig vedlikehold, inkluder, men ikke begrenset til, skade som skyldes insekter i brennerrørene, som forklart i denne brukerhåndboken. Det kan finnes unntak, kontakt derfor Char-Broil eller forhandleren dersom du ikke er sikker på om denne garantien gjelder i nettopp ditt tilfelle eller ikke.

Foringelse eller skade som skyldes vanskelige værforhold som f.eks. hagl, orkan, jordskjelv eller tornado, misfarging som skyldes kjemikalieeksponering, enten direkte eller i atmosfæren, dekkes ikke av denne garantien og dekkes vanligvis heller ikke av dine lovfestede rettigheter.

Char-Broil er ikke ansvarlig for eventuelle uforutsette tap (dvs. tap eller skade som verken du eller Char-Broil forutså på kjøpstidspunktet) eller for skade forårsaket av deg, fortsett fra at Char-Broils skadeansvar for svindel, død eller personskade som skyldes uaktsomhet fra Char-Broils side ikke er begrenset.

Char-Broil tillater ingen personer eller bedrifter å påta seg forpliktelser eller ansvar for selskapet i forbindelse med salg, montering, bruk, fjerning, retur eller utskifting av selskapets utstyr, og ingen slike fremføringer skal være bindende for Char-Broil.

Denne garantien gjelder kun for produkter som selges gjennom detaljhandel til enkeltpersoner (ikke til bedrifter) innenfor EU.

Denne garantien påvirker ingen av dine lovpålagte juridiske rettigheter under gjeldende forbrukerlover i ditt bostedsland.

For garantiservice kan du kontakte Char-Broil på info-eu@CHARBROIL.EU.

Záručného Vyhlásenia

Spoločnosť Char-Broil Europe GmbH of Paul-Dessau-Straße 8 Quartier O – 4.OG D-22761 Hamburg, (Char-Broil) poskytuje NADOBÚDATEĽOVI dňom zakúpenia tohto výrobku značky Char-Broil nasledujúcu záruku, že nebude mať závady materiálu a spracovania nasledovne:

	Plynové grily
Horáky	10 rokov
Grilovacie mriežky/žiariče	3 roky
Všetky ostatné časti (EURO minimum)	2 roky

Spoločnosť Char-Broil alebo predajca tohto výrobku môže požadovať dôkaz o dátume jeho zakúpenia. **PRETO BY STE SI MALI ÚČTENKU ALEBO FAKTÚRU PONECHAŤ.**

Táto záruka zahŕňa nárok na opravu alebo výmenu výrobku alebo jeho častí, ktoré sa preukážu ako závadné pri normálnom používaní a činnosti výrobku. Pred vrátením ktorejkoľvek časti použite kontaktné informácie na našej internetovej stránke a urýchlene kontaktujte spoločnosť Char-Broil. V prípade závady spoločnosť Char-Broil podľa vlastnej úvahy bezplatne buď vymení alebo opraví výrobok alebo jeho časti. Spoločnosť Char-Broil vráti výrobok alebo jeho časti zákazníkovi a uhradí prepravu a poštovné. Ak sa spoločnosť Char-Broil rozhodne opraviť výrobok alebo jeho závadné časti a oprava nepomôže, budete mať na základe práv vyplývajúcich zo zákona nárok na zníženie kúpnej ceny alebo odstúpenie od zmluvy a preplatenie kúpnej ceny.

Táto záruka sa nevzťahuje na závady a poruchovú činnosť výrobku v dôsledku nehody, zlého zaobchádzania a nesprávneho používania výrobku, jeho pozmenenia, nesprávnej aplikácie, vandalizmu, nesprávnej montáže alebo neprimeranej údržby alebo servisu, alebo neposkytnutia normálnej alebo rutínnej údržby vrátane poškodenia spôsobeného hmyzom vo vnútri trúbok horáka a iného poškodenia ako sa uvádza v Návode na používanie. Môžu platiť určité výnimky, preto v prípade akýchkoľvek otázok v súvislosti s platnosťou tejto záruky vo vašom konkrétnom prípade sa obráťte na spoločnosť Char-Broil alebo vášho predajcu.

Schátranie alebo poškodenie v dôsledku extrémnych klimatických podmienok ako je krupobitie, hurikány, zemetrasenia alebo tornáda, vyblednutie v dôsledku vystavenia chemikáliám alebo či už priamo alebo v ovzduší, táto záruka nepokrýva a zvyčajne sa na ne nevzťahujú ani vaše práva vyplývajúce zo zákona.

Spoločnosť Char-Broil nie je zodpovedná za žiadne nepredvídateľné straty (t.j. stratu alebo poškodenie, ktoré ste vy, spoločnosť Char-Broil alebo predajca v čase kúpy nebrali do úvahy), ani za vami spôsobené poškodenie s výnimkou právnej zodpovednosti spoločnosti Char-Broil v prípade podvodu, smrti alebo úrazu osôb spôsobených jej nedbalosťou.

Spoločnosť Char-Broil neopravňuje žiadnu osobu alebo spoločnosť prevziať na seba v mene spoločnosti Char-Broil žiadne iné záväzky alebo zodpovednosť v súvislosti s predajom, montážou, používaním, demontážou, vrátením alebo výmenou jej zariadenia a uvedené zastupovanie nie je pre spoločnosť Char-Broil záväzné.

Táto záruka sa vzťahuje výlučne na výrobky predávané jednotlivcom v maloobchodnej sieti (na rozdiel od veľkoobchodu) v rámci Európskej únie.

Táto záruka nemá dopad na vaše práva vyplývajúce zo spotrebiteľských zákonov krajiny vášho pobytu.

Svoju žiadosť o servis v rámci záruky zašlite spoločnosti Char-Broil na emailovú adresu info-eu@CHARBROIL.EU.

Uppkast að ábyrgðaryfirlýsingu fyrir Char-Broil

Char-Broil LLC GmbH of Paul-Dessau-Straße 8 Quartier O – 4.OG D-22761 Hamburg, (Char-Broil) ábyrgist að KAUPANDI þessarar Char-Broil vöru muni kaupa vöru sem er laus við galla í efni og vinnu frá dagsetningum kaupa á eftirfarandi máta:

	Gasgrill
Brennarar	10 ár
Eldunargrindur, hitunarfletir	3 ár
Allir aðrir hlutar (lágmark í Evrópu)	2 ár

Char-Broil eða söluaðili vörunnar kann að gera kröfu um sönnun á dagsetningum kaupa. **ÞVÍ ÆTTIR ÞÚ AÐ GEYMA SÖLUKVITTUN ÞÍNA EÐA -REIKNING.**

[France only: All products sold by the Seller are covered by the legal warranties provided in Articles 1641 and followings of the Civil Code (warranty against hidden defects) and Articles L. 217-1 to L. 217-14 and L. 411-1 to L. 411-2 of the Consumer Code (warranty of conformity.)

Þessi ábyrgð felur í sér rétt á viðgerð eða endurnýjun vörunnar eða hlutum vörunnar sem reynast gallaðir við hefðbundna notkun og þjónustu. Áður en skilað er hlutum skal hafa samband við Char-Broil með því að nota samskiptaupplýsingarnar sem finna má á vefsvæðinu okkar. Ef um galla er að ræða ákveður Char-Broil hvort skipt verði við eða gert við vöruna eða slíka hluta án endurgjalds. Char-Broil skilar vörunni eða hlutum vörunnar til kaupanda, flutnings- er fyrirfram greiddur. Ef Char-Broil ákveður að gera við vöruna eða slíka gallaða hluta vörunna og sú viðgerð virkar ekki átt þú rétt á, í samræmi við lögbundinn rétt þinn, að fá lækkað innkaupsverð þitt eða afturkalla samninginn og fá endurgreiðslu.

Þessi ábyrgð nær ekki yfir bilun eða notkunarvanda vegna slyss, misnotkunar, skemmdarverka, óviðeigandi uppsetningar eða óviðeigandi viðhalds eða þjónustu, eða ef hefðbundnu og venjubundnu viðhaldi er ekki sinnt, þar á meðal en ekki takmarkað við tjón sem orsakast af skordýrum inni í brennararörum, eins og lýst er í eigandahandbókinni. Undanþágur kunna að eiga við. Vinsamlegast hafðu samband við Char-Broil eða söluaðila þinn ef þú hefur einhverjar spurninga varðandi hvort þessi ábyrgð eigi við sértækt tilvik þitt eða ekki.

Slit eða tjón vegna alvarlegra veðurbrigða á borð við haglé, hvirfilbyli, jarðskjálfta eða fellibyli, upplitun vegna útsetningar fyrir efnunum annaðhvort beint eða í andrúmsloftinu, fellur ekki undir þessa ábyrgð og er yfirleitt ekki hluti af þínum lögbundnu réttindum.

Char-Broil ber ekki ábyrgð á ófyrirsjáanlegu tjóni (t.d. Tjóni eða skemmdum sem hvorki þú né Char-Broil eða söluaðilinn sá fyrir við kaupin), eða tjón sem orsakað er af þér, að undanskildri ábyrgð Char-Broil hvað varðar svik eða líkamstjón sem orsakast af vanrækslu.

Char-Broil veitir engum aðila eða fyrirtæki leyfi til að taka á hendur skuldbindingar fyrir sig eða ábyrgð í tengslum við sölu, uppsetningu, notkun, brottnám, skil eða endurnýjun búnaðar síns; og ekkert slíkt umboð er bindandi fyrir Char-Broil.

Þessi ábyrgð á aðeins við vörur sem sendar eru í smásölu til einstaklinga (ekki fyrirtækja) í Evrópusambandinu.

Þessi ábyrgð hefur engin áhrif á lögbundin réttindi þíns samkvæmt gildandi neytendalögum í búsetulandi þínu.

Frekari upplýsingar um ábyrgðina má nálgast með því að hafa samband við Char-Broil á netfangið info@CHARBROIL.EU.

Záručního Listu

Char-Broil Europe GmbH of Paul-Dessau-Straße 8 Quartier O – 4.OG D-22761 Hamburg, (Char-Broil) zaručuje kupujícímu tohoto produktu Char-Broil, že na něm nebudou závady, ani na materiálu ani provedení, od data koupě, následovně:

	Plynové Grily
Hořáky	10 roků
Rošty/sálače	3 roky
Všechny ostatní součástky (EURO minimum)	2 roky

Char-Broil nebo prodejce produktu může požadovat důkaz s datem koupě. **PROTO, SI VŽDY SCHOVEJTE ÚČTENKU, POKLADNÍ LÍSTEK NEBO FAKTURU.**

Tato Záruka zahrnuje právo na opravu nebo náhradu výrobku nebo jeho součástí, které se ukážou jako závadné při normálním používání nebo údržbě. Před reklamací jakékoli součástky ihned kontaktujte Char-Broil podle údajů uvedených na naší webové stránce. Jde-li o závadu, Char-Broil rozhodne, zda produkt nebo dané součástky vymění nebo opraví zdarma. Char-Broil vrátí produkt nebo jeho součástky zákazníkovi a dopravní náklady nebo poštovné budou uhrazeny. Pakli se Char-Broil rozhodne produkt nebo dané závadné součástky opravit a tato oprava se nepodaří, máte v souladu se zákonem nárok na sníženou kupní cenu nebo právo ustoupit od kupní smlouvy a požadovat vrácení peněz.

Tato Záruka se nevztahuje na selhání nebo provozní potíže, které jsou následkem nehody, špatného používání či zacházení, pozměnění, nesprávného používání, vandalismu, nesprávné instalace, nesprávné údržby nebo servisu, nebo následkem neplnění normální a pravidelné údržby, zahrnující mimo jiné hmyzem způsobené škody na vnitřních trubičkách hořáků, jak je popsáno v této příručce pro uživatele. Mohou platit výjimky, proto kontaktujte Char-Broil nebo prodejce s dotazy, jestli tato Záruka platí ve vašem konkrétním případě nebo ne.

Zchátrání nebo poškození následkem drsného počasí jako např. kroupy, uragán, zemětřesení nebo tornáda, vyblednutí způsobené přímým vystavením chemikáliím nebo látkami obsaženými ve vzduchu, tato Záruka nekryje a neplatí zde běžná ochrana podle zákona.

Char-Broil nenese zodpovědnost za žádné nepředvídatelné ztráty (tj. ztráty nebo škody, o kterých jste vy ani Char-Broil ani prodejce neuvažovali v době koupě), ani za škody, které jste způsobil(a) vy, s výjimkou, že odpovědnost firmy Char-Broil za podvod, smrt nebo úraz, způsobené její nedbalostí není omezená.

Firma Char-Broil neopravňuje žádnou jinou osobu nebo společnost k tomu, aby za ni převzala jakoukoli jinou povinnost nebo zodpovědnost ve spojitosti s prodejem, s instalací, s odstraněním, s používáním, s reklamací, s vrácením nebo s výměnou svého vybavení, a žádná taková prohlášení nejsou pro Char-Broil závazná.

Tato Záruka se vztahuje pouze na výrobky prodané v maloobchodě jednotlivcům (nikoliv podnikům) v Evropské Unii.

Tato Záruka nijak neovlivňuje vaše zákonem daná práva v souladu s platnými zákony o ochraně spotřebitelů ve státě vašeho bydliště.

V případě potřeby zárukou daného servisu se obraťte na Char-Broil na info-eu@CHARBROIL.EU.

טיוטת תעודת אחריות עבור Char-Broil

Char-Broil LLC GmbH of Paul-Dessau-Straße 8 Quartier O – 4.OG D-22761 Hamburg אחראית כלפי הרוכש של מוצר זה מתוצרת Char-Broil שהמוצר חפשי מפגמים בחומרים ובטיב העבודה מיום הרכישה, כדלקמן:

גריל גז	
מבערים	10 שנים
סבכות בישול/ פולטים	3 שנים
כול החלקים האחרים (מינימום EURO)	שנתיים

Char-Broil או מוכר המוצר עשוי לדרוש הוכחה סבירה של תאריך הרכישה. לכן כדאי לשמור את הקבלה או החשבונית.

[France only: All products sold by the Seller are covered by the legal warranties provided in Articles 1641 and followings of the Civil Code (warranty against hidden defects) and Articles L. 217-1 to L. 217-14 and L. 411-1 to L. 411-2 of the Consumer Code (warranty of conformity).]

אחריות זו כוללת את הזכות לתקן או להחליף את המוצר או חלקים ממנו שנמצאו פגומים לאחר שימוש ותחזוקה רגילים. לפני החזרת חלקים כלשהם יש ליצור קשר עם Char-Broil בעזרת פרטי הקשר שמופיעים באתר האינטרנט שלנו. בנקרה שיתגלה פגם, Char-Broil תבחר אם להחליף או לתקן את המוצר או החלק ללא תשלום. Char-Broil תחזיר את המוצר או את חלקי המוצר לרוכש, ותשלם את הוצאות המשלוח. אם Char-Broil תחליט לתקן את המוצר או את החלקים הפגומים של המוצר והתיקון נכשל, הזכות בידך, בהתאם לזכויותיך על פי חוק, להקטין את מחיר הרכישה או לסגת מההסכם החוזי ולקבל החזר כספי.

אחריות זו אינה מכסה כל כישלון או קשוי הפעלה שנובעים מתאונה, שימוש לא נאות, שימוש לא נכון, שינויים, שימוש למטרה שהמכשיר לא נועד לה, ונדליזם, התקנה לא נכונה או תחזוקה וטיפול לא נכונים, או במקרה שתחזוקה שגרתית ורגילה לא בוצעה, כולל, אך לא רק, נזקים שייגרמו כתוצאה מחרקים בתוך צינורות הבערה, כפי שמצוין בהוראות השימוש. יוצאים מן הכלל ייתכנו, לפיכך צרו קשר עם Char-Broil או עם המוכר אם ברצונכם לברר אם אחריות זו מכסה את הבעיה הספציפית שלכם או לא.

נזק או בלאי שייגרמו כתוצאה ממצבי מזג אוויר חמורים כגון ברד, סופת הוריקן, רעידות אדמה או טורנדו, שינוי צבע כתוצאה מחשיפה לכימיקלים – ישירות או כימיקלים באטמוספירה – אינם מכוסים על ידי אחריות זו, ובדרך כלל אינם מכוסים על פי זכויותיכם על פי חוק.

Char-Broil אינה אחראית לכול הפסד בלתי-צפוי (כגון הפסד או נזק שלא את/ה ולא Char-Broil או המוכר יכולתם לצפות בעת הרכישה), או כול נזק שנגרם על ידך, מלבד העובדה שאחריות Char-Broil למקרה תרמית או מוות או פציעה שייגרמו כתוצאה מרשלנותה אינה מוגבלת.

Char-Broil אינה מאשרת לאף אדם או חברה לקחת על עצמו/ה כול מחויבות או אחריות בקשר עם מכירה, התקנה, שימוש, פינוי, החזרה, או החלפה של הציוד שלה; כול התחייבות מסוג זה אינה מחייבת את Char-Broil.

אחריות זו תקפה רק למוצרים שנמכרו בקמעונאות ליחידים (בניגוד לעסקים) בתחומי האיחוד האירופי.

אחריות זו אינה משפיעה על זכויותיך החוקיות על פי חוקי הצרכנות הרלבנטיים בארץ מגוריך.

לשירות על פי אחריות זו נא ליצור קשר עם Char-Broil באתר info-eu@CHARBROIL.EU

Declarație privind garanția

Char-Broil Europe GmbH, Paul-Dessau-Straße 8 Quartier O – 4.OG D-22761 Hamburg (Char-Broil) garantează Cumpărătorului acestui produs Char-Broil că nu va avea defecte de material și de execuție de la data cumpărării după cum urmează:

	Grile de gaz
Arzatoare	10 ani
Gratare de gătit / emițătoare	3 ani
Toate celelalte piese (minimum EURO)	2 ani

Char-Broil sau vânzătorul produsului poate solicita o dovadă rezonabilă a datei de achiziție. **Prin urmare, trebuie să vă mențineți vânzările sau factura.**

Această garanție include dreptul de reparație sau înlocuire a produsului sau a părților produsului care se dovedesc a fi defecte în condiții normale de utilizare și de utilizare. Înainte de returnarea oricăror părți, trebuie să contactați prompt Char-Broil utilizând informațiile de contact de pe site-ul nostru. În cazul unui defect, Char-Broil va alege să înlocuiască sau să repare produsul sau aceste componente fără taxă. Char-Broil va returna produsul sau părțile produsului către cumpărător, transportul de mărfuri sau poștale plătite anticipat. Dacă Char-Broil alege să repare produsul sau astfel de părți defecte ale produsului și această reparație nu reușește, aveți dreptul, în conformitate cu drepturile legale de drept, să reduceți prețul de cumpărare sau să vă retrageți din contract și să primiți o rambursare.

Această garanție nu acoperă orice defecțiuni sau dificultăți de funcționare din cauza unui accident, a unui abuz, a unei utilizări incorecte, a unei modificări, a unei aplicări greșite, a vandalismului, a unei instalări necorespunzătoare sau a unei întrețineri necorespunzătoare sau a unei reparații sau a unei întreruperi normale și de rutină, în interiorul tuburilor arzătorului, așa cum se specifică în acest manual de utilizare. Pot fi aplicate excepții, așa că vă rugăm să contactați Char-Broil sau vânzătorul în cazul în care aveți întrebări cu privire la faptul dacă această Garanție se aplică în cazul dumneavoastră sau nu.

Deteriorarea sau deteriorarea datorată condițiilor meteorologice grave, cum ar fi grindina, uraganele, cutremurele sau tornadele, decolorarea datorată expunerii la substanțe chimice, fie direct, fie în atmosferă, nu este acoperită de această garanție și nu este în mod obișnuit acoperită de drepturile dvs. legale.

Char-Broil nu este răspunzătoare pentru niciun fel de pierderi neprevăzute (pierderi sau daune pe care nici dvs., nici Char-Broil sau vânzătorul nu le-ați avut în vedere la momentul cumpărării) sau orice prejudiciu cauzat de dvs., cu excepția responsabilității Char-Broil pentru fraudă sau moartea sau vătămarea corporală cauzată de neglijența sa nu este limitată.

Char-Broil nu autorizează nici o persoană sau companie să-și asume o altă obligație sau răspundere în legătură cu vânzarea, instalarea, utilizarea, scoaterea, returnarea sau înlocuirea echipamentului său; și nici o astfel de declarație nu este obligatorie pentru Char-Broil.

Această garanție se aplică numai produselor vândute la vânzare cu amănuntul persoanelor fizice (spre deosebire de întreprinderi) din cadrul Uniunii Europene.

Această Garanție nu afectează niciunul dintre drepturile dvs. legale în conformitate cu legile aplicabile privind protecția consumatorilor din țara dvs. rezidentă.

Pentru service în garanție, contactați-l pe Char-Broil info-eu@CHARBROIL.EU.

Δήλωση εγγύησης

Char-Broil Europe GmbH, Paul-Dessau-Straße 8 Quartier O – 4.OG D-22761 Hamburg (Char-Broil) εγγυάται στον αγοραστή αυτού του προϊόντος Char-Broil ότι θα είναι απαλλαγμένο από ελαττώματα υλικού και κατασκευής από την ημερομηνία αγοράς ως εξής:

	Φούρνοι αερίου
Καυστήρες	10 χρόνια
Μαγειρικά σχάρες / πομποί	3 χρόνια
Όλα τα υπόλοιπα εξαρτήματα (ελάχιστο EURO)	2 χρόνια

Η Char-Broil ή ο πωλητής του προϊόντος μπορεί να απαιτήσει εύλογη απόδειξη της ημερομηνίας αγοράς. **Επομένως, θα πρέπει να διατηρήσετε την παραλαβή των πωλήσεων σας ή το τιμολόγιο.**

Αυτή η εγγύηση περιλαμβάνει το δικαίωμα επισκευής ή αντικατάστασης του προϊόντος ή τμημάτων του προϊόντος που αποδεικνύονται ελαττωματικά κατά την κανονική χρήση και συντήρηση. Πριν επιστρέψετε τυχόν εξαρτήματα, θα πρέπει να επικοινωνήσετε αμέσως με την Char-Broil χρησιμοποιώντας τα στοιχεία επικοινωνίας στην ιστοσελίδα μας. Σε περίπτωση ελαττώματος, η Char-Broil θα επιλέξει να αντικαταστήσει ή να επισκευάσει το προϊόν ή τα ανταλλακτικά χωρίς χρέωση. Η Char-Broil θα επιστρέψει το προϊόν ή τα μέρη του προϊόντος στον προπληρωμένο αγοραστή, φορτίο ή ταχυδρομικά τέλη. Εάν η Char-Broil επιλέξει να επισκευάσει το προϊόν ή τα ελαττωματικά μέρη του προϊόντος και η αποτυχία αυτή επισκευαστεί, δικαιούστε, σύμφωνα με τα νομικά σας δικαιώματα, να μειώσετε την τιμή αγοράς ή να αποσύρετε από τη σύμβαση και να λάβετε επιστροφή χρημάτων.

Η παρούσα εγγύηση δεν καλύπτει τυχόν βλάβες ή δυσκολίες λειτουργίας λόγω ατυχήματος, κατάχρησης, κατάχρησης, τροποποίησης, κακής εφαρμογής, βανδαλισμού, ακατάλληλης εγκατάστασης ή ακατάλληλης συντήρησης ή συντήρησης ή αδυναμίας κανονικής και συνήθους συντήρησης, συμπεριλαμβανομένης, ενδεικτικά, ζημιών που προκαλούνται από έντομα εντός των σωλήνων καυστήρα, όπως ορίζεται στο εγχειρίδιο χρήσης του ιδιοκτήτη. Μπορεί να ισχύουν εξαιρέσεις, επομένως επικοινωνήστε με την Char-Broil ή τον πωλητή σας σε περίπτωση που έχετε ερωτήσεις σχετικά με το αν η παρούσα εγγύηση ισχύει για τη συγκεκριμένη περίπτωση σας ή όχι.

Επιβαρύνσεις ή ζημιές που οφείλονται σε σοβαρές καιρικές συνθήκες, όπως χαλάζι, τυφώνες, σεισμοί ή ανεμοστρόβιλοι, αποχρωματισμός λόγω έκθεσης σε χημικές ουσίες είτε απευθείας είτε στην ατμόσφαιρα, δεν καλύπτονται από την παρούσα εγγύηση και κανονικά δεν καλύπτονται από τα νομικά σας δικαιώματα.

Η Char-Broil δεν ευθύνεται για τυχόν απρόβλεπτες απώλειες (δηλ. Απώλεια ή ζημία που ούτε εσείς ούτε η Char-Broil ή ο πωλητής σχεδιάζετε κατά τη στιγμή της αγοράς) ή οποιαδήποτε ζημία προκλήθηκε από εσάς εκτός από την ευθύνη της Char-Broil για απάτη ή ο θάνατος ή η σωματική βλάβη που προκαλείται από την αμέλεια του δεν περιορίζεται.

Η Char-Broil δεν εξουσιοδοτεί οποιοδήποτε πρόσωπο ή εταιρεία να αναλάβει για λογαριασμό της οποιαδήποτε άλλη υποχρέωση ή ευθύνη σε σχέση με την πώληση, εγκατάσταση, χρήση, απομάκρυνση, επιστροφή ή αντικατάσταση του εξοπλισμού του. και καμία τέτοια παρατήρηση δεν δεσμεύει τη Char-Broil.

Η παρούσα εγγύηση ισχύει μόνο για προϊόντα που πωλούνται στο λιανικό εμπόριο σε ιδιώτες (σε αντίθεση με τις επιχειρήσεις) εντός της Ευρωπαϊκής Ένωσης.

Η παρούσα εγγύηση δεν επηρεάζει κανένα από τα νομικά σας δικαιώματα σύμφωνα με τους ισχύοντες νόμους περί προστασίας των καταναλωτών της χώρας διαμονής σας.

Για υπηρεσία εγγύησης, επικοινωνήστε με τον Char-Broil στο info-eu@CHARBROIL.EU.

Jótállási nyilatkozat

Char-Broil Europe GmbH, Paul-Dessau-Straße 8 Quartier O – 4.OG D-22761 Hamburg (Char-Broil) a Char-Broil termék PURCHASER-jét garantálja, hogy a vásárlás napjától az anyag és a gyártás hibáiból mentes, az alábbiak szerint:

	Gázcsovek
égők	10 évek
Főzőcsovek / emitterek	3 évek
Minden egyéb alkatrész (EURO minimum)	2 évek

A Char-Broil vagy a termék eladója megkövetelheti a vásárlás dátumának ésszerű bizonyítékát. **Ezért az eladásaidat vagy a számláját el kell távolítani.**

Ez a jótállás magában foglalja a termék vagy a termék részei javításának vagy cseréjének jogait, amelyek rendeltetésszerű használata és szervizelése során hibásnak bizonyulnak. Mielőtt bármilyen részre visszatérne, azonnal kapcsolatba kell lépnie a Char-Broil céggel a weboldalunkon található elérhetőségi adatok segítségével. Hiány esetén a Char-Broil megválasztja a terméket vagy az ilyen alkatrészeket díjmentesen. A Char-Broil visszaadja a terméket vagy a termék részeit a vevőnek, az áruszállításnak vagy a postaköltségnek. Ha a Char-Broil úgy dönt, hogy javítja a terméket vagy a termék hibás alkatrészeit, és ez a javítás sikertelen, akkor a törvényes joga szerint Ön jogosult a vételár csökkentésére vagy a szerződéstől való visszavonásra és visszatérítés megszerzésére.

Ez a garancia nem terjed ki a balesetek, visszaélések, visszaélések, változtatások, helytelen alkalmazások, vandalizmus, helytelen beszerelés vagy helytelen karbantartás vagy szervizelés, illetve a normál és a szokásos karbantartás elmulasztása miatti hibák vagy működési nehézségek, beleértve, de nem kizárólag a rovarok által okozott károkat az égőcsöveken belül, az ebben a kezelési útmutatóban leírtak szerint. Kivételtől eltekinthet, ezért kérjük, forduljon a Char-Broil-hez vagy az eladójához, ha bármilyen kérdése van-e arra vonatkozóan, hogy ez a garancia vonatkozik-e az adott esetre, vagy sem.

A garancia nem vonatkozik a súlyos időjárási viszonyok - mint például a jégeső, a hurrikánok, a földrengések vagy a tornádók miatt bekövetkező romlásra, károsodásra, a közvetlenül vagy a légkörben lévő vegyi anyagoknak való kitettség miatt fellépő elszíneződésre, és ezeket rendszerint nem a törvényes jogaik fedezik.

A Char-Broil nem vállal felelősséget bármely olyan előre nem látható veszteségért (azaz veszteségért vagy kárért, amelyet sem Ön, sem a Char-Broil vagy az eladó a vásárláskor nem számolt), vagy az Ön által okozott károkért, kivéve a Char-Broil csalásért vagy felelősségéért a halál vagy a személyi sérülés okozta hanyagság nem korlátozott.

Char-Broil does not authorize any person or company to assume for it any other obligation or liability in connection with the sale, installation, use, removal, return, or replacement of its equipment; and no such representations are binding on Char-Broil.

Ez a garancia kizárólag az Európai Unió belüli magánszemélyeknek (a vállalkozásokkal ellentétben) értékesített termékekre vonatkozik.

Ez a garancia nem érinti a rezidens ország vonatkozó fogyasztóvédelmi jogszabályai szerinti törvényi jogait.

A jótállási szervizhez forduljon Char-Broil-hez info-eu@charbroil.eu

Гаранционна декларация

Char-Broil Europe GmbH, Paul-Dessau-Straße 8 Quartier O – 4.OG D-22761 Hamburg (Char-Broil) гарантира на купувача на този продукт Char-Broil, че няма да има дефекти в материала и изработката от датата на покупката, както следва:

	Газови решетки
горелки	10 години
Готварски решетки / емитери	3 години
Всички други части (минимум EURO)	2 години

Char-Broil или продавачът на продукта може да изиска разумно доказателство за датата на покупката.
Следователно, Вие трябва да запазите Вашия ПРОДАЖБА или фактура.

Тази гаранция включва правото на ремонт или замяна на продукта или части от него, които се оказват дефектни при нормална употреба и сервиз. Преди да върнете всички части, трябва незабавно да се свържете с Char-Broil, като използвате информацията за контакт на нашия уебсайт. В случай на дефект, Char-Broil ще избере да замени или ремонтира продукта или тези части без такса. , Char-Broil ще върне продукта или частите от него на купувача, на навлото или на предплатените. Ако Char-Broil избере да поправи продукта или дефектните части на продукта и този ремонт е неуспешен, имате право съгласно Вашите законови законови права да намалите покупната цена или да се откажете от договора и да получите възстановяване.

Тази гаранция не покрива никакви повреди или експлоатационни трудности поради злоупотреба, злоупотреба, неправилно използване, промяна, неправилно прилагане, вандализъм, неправилна инсталация или неправилна поддръжка или сервиз или неизпълнение на нормална и рутинна поддръжка, включително, но не само, щети, причинени от насекоми в тръбите на горелката, както е посочено в това ръководство за експлоатация. Изключения може да са приложими, затова моля, свържете се с Char-Broil или продавача си в случай, че имате въпроси относно това дали тази гаранция важи за конкретния Ви случай или не.

Влошаването или вредите, дължащи се на тежки метеорологични условия като градушка, урагани, земетресения или торнадо, обезцветяване поради излагане на химикали директно или в атмосферата, не са обхванати от настоящата гаранция и обикновено не са обхванати от вашите законови права.

Char-Broil не носи отговорност за непредвидени загуби (т.е. загуби или щети, които нито вие, нито Char-Broil, или продавачът планирали по време на покупката), нито щетите, причинени от вас, с изключение на отговорността на Char-Broil за измама или смърт или телесна повреда, причинена от нейната небрежност, не е ограничена.

Char-Broil не упълномощава никое лице или компания да поеме за него друго задължение или отговорност във връзка с продажбата, инсталирането, използването, отстраняването, връщането или подмяната на оборудването си; и такова представяне не е задължително за Char-Broil.

Тази гаранция важи само за продукти, продавани на дребно на физически лица (за разлика от бизнеса) в рамките на Европейския съюз.

Тази гаранция не засяга никое от вашите законни права съгласно приложимото законодателство на потребителите на вашата местна държава.

За гаранционно обслужване, свържете се с Char-Broil в info-eu@CHARBROIL.EU.



GB	NOTE: This information is a guide only. Items included in your BBQ specification may differ depending on region or specific dealer specification.	All specifications are subject to change without notice.
CH, FR	NOTE: Ces renseignements sont donnés à titre indicatif. Il est possible que les articles inclus dans les spécifications de votre barbecue diffèrent selon la région ou les caractéristiques stipulées par le concessionnaire.	Toutes les caractéristiques sont susceptibles d'être modifiées
LU, AT, CH, DE	ANMERKUNG: Diese Anleitung dient nur zu Informationszwecken. Einzeltelle der Grillspezifikation sind unter Umständen verschieden entsprechend der Vertriebsregion oder bestimmten Händleranforderungen.	Änderungen ohne vorherige Bekanntgabe vorbehalten.
CH, IT	AVVERTENZA: Queste informazioni hanno il valore di guida soltanto. Gli articoli compresi nelle caratteristiche tecniche del barbecue potrebbero variare a seconda della regione o del concessionario.	Tutti i dati tecnici possono cambiare senza preavviso.
LU, BE, NL	ATTENTIE: Deze informatie is alleen bedoeld als gids. Onderdelen in uw BBQ specificatie en pakket kunnen per regio of per dealer verschillen.	Alle specificaties kunnen zonder voorafgaande kennisgeving worden gewijzigd.
SE	ANM.: Denna information är endast avsedd som handledning. Specifikationerna för grillen kan variera regionalt eller beroende på de krav som olika återförsäljare har.	Kaikki oikeudet teknisten tietojen muutoksiin pidätetään.
FI	HUOMATKAA: Nämä tiedot ovat pelkästään suuntaa antavia. ostamanne grillin yksityiskohdat voivat olla erilaiset paikkakunnan tai erityisten myyjökohtaisten yksityiskohtien mukaan.	Kaikki yksityiskohdat voivat muuttua ilman etta niistä erikseen ilmoitetaan.
ES	NOTA: Esta información es una guía. Es posible que las indicaciones incluidas en las especificaciones de su Asador sean diferentes según la región o las especificaciones específicas del representante.	Todas las especificaciones estan sujetas a cambios sin previo aviso.
PT	NOTA: Esta informação é simplesmente um guia. Os itens incluídos na especificação do seu BBQ poderão diferir dependendo da especificação da região ou do vendedor específico.	Todas as especificações estão sujeitas a alteração sem aviso.
DK	NB.: Denne information er kun vejledende. Specifikationer kan variere efter År, nskelse fra forhandler, eller i henhold til nationale regler.	Alle specifikationer kan ændres foruden varsel.
NO	NB.: Denne informasjon er kun veiledende. Spesifikasjoner kan variere som stipulert av forhandler, eller i henhold til nasjonale krav.	Spesifikasjoner kan endres utenvarsel.
SK	POZNÁMKA: Tieto informácie slúžia len ako pomôcka. Údaje uvedené v technických údajoch vášho grilu sa môžu líšiť podľa regiónu alebo špecifických technických údajov stanovených predajcom.	Všetky špecifikácie sa môžu zmeniť bez upozornenia.
IS	ATHUGIÁ: Ážessar upplýsingar eru aðeins leiðbeinandi. Hlutiur sem er í nna mál; Á- lÁ-singur Á; grilli ÁÁ- nu geta verið mismunandi Á; milli svÁÁ-a eÁ-a sÁÁuaÁ-ila.	Allar lýsingar eru háðar breytingum án viðvörunar.
CZ	POZNÁMKA: Tyto informace slouží pouze jako instrukce. Součástí vašeho BBQ. Specifikace se mohou lišit podle regionu/země nebo specifických údajů prodejce.	Všechny informace mohou být změněny bez předchozího upozornění.
IL	הערה: מידע זה נועד לייחוס בלבד. הפרטים הכלולים במפרט של מכשיר הגריל שברשותך עשויים להשתנות בהתאם לאזור או לדרישות של מפיק מסים.	כל המפרטים כפופים לשינויים ללא הודעה.
RO	NOTĂ: Această informație este doar un ghid. Elementele incluse în specificație dvs. pentru grătar pot diferi în funcție de regiune sau de specificație dealerului.	Toate specificațiile pot fi modificate fără notificare.
GR	ΣΗΜΕΙΩΣΗ: Αυτές οι πληροφορίες είναι μόνο ένας οδηγός. Τα στοιχεία που περιλαμβάνονται στις προδιαγραφές BBQ ενδέχεται να διαφέρουν ανάλογα με την περιοχή ή τις συγκεκριμένες προδιαγραφές του αντιπροσώπου.	Όλες οι προδιαγραφές υπόκεινται σε αλλαγές χωρίς προειδοποίηση.
HU	MEGJEGYZÉS: Ez az információ csak tájékoztató jellegű. A BBQ specifikációjában szereplő tételek a régiótól vagy a specifikus kereskedői specifikációtól függően eltérőek lehetnek.	Minden műszaki változtatás jogát fenntartjuk.
BG	ЗАБЕЛЕЖКА: Тази информация е само ръководство. Елементите, включени в спецификацията за барбекю, може да се различават в зависимост от региона или конкретните спецификации на дилъра.	Всички спецификации подлежат на промяна без предизвестие.
SI	OPOMBA: Te informacije so le vodnik. Predmeti, vključeni v vašo specifikacijo BBQ, se lahko razlikujejo glede na regijo ali specifikacijo prodajalca.	Vse specifikacije se lahko spremenijo brez predhodnega obvestila.



Char-Broil® Europe GmbH
Paul-Dessau-Straße 8
Quartier O – 4.OG
D-22761 Hamburg